



Chipsmall Limited consists of a professional team with an average of over 10 year of expertise in the distribution of electronic components. Based in Hongkong, we have already established firm and mutual-benefit business relationships with customers from,Europe,America and south Asia,supplying obsolete and hard-to-find components to meet their specific needs.

With the principle of “Quality Parts,Customers Priority,Honest Operation,and Considerate Service”,our business mainly focus on the distribution of electronic components. Line cards we deal with include Microchip,ALPS,ROHM,Xilinx,Pulse,ON,Everlight and Freescale. Main products comprise IC,Modules,Potentiometer,IC Socket,Relay,Connector.Our parts cover such applications as commercial,industrial, and automotives areas.

We are looking forward to setting up business relationship with you and hope to provide you with the best service and solution. Let us make a better world for our industry!



## Contact us

Tel: +86-755-8981 8866 Fax: +86-755-8427 6832

Email & Skype: info@chipsmall.com Web: www.chipsmall.com

Address: A1208, Overseas Decoration Building, #122 Zhenhua RD., Futian, Shenzhen, China





### FEATURES

- RoHS compliant
- 1U height, 18.3" width, 16" depth powershell
- Holds 3 D1U series power supplies
- Hot insertion / removal
- Blind-docking connection
- Lug DC output connection for 2 AWG cables
- I<sup>2</sup>C interface
- Signal connector
- Optional shelf to shelf signal connector (up to 2 shelves in parallel)

### DESCRIPTION

The S1U-X3 is a 1U x 19" EIA Rack Mount Power Shelf designed for holding three 12V or 48V D1U Front End Power Supplies in current sharing applications. It is intended for distributed power architecture applications in the Servers, Storage Networking and Data Communications markets. There are two lug terminal connections for #2 AWG cabling for the DC output. System connection through the I<sup>2</sup>C bus reports the performance status of the power supplies within the power shelf. Two Power Shelves can operate in parallel by an optional Shelf-to-Shelf cable, doubling the power output to the maximum capability of 9.6kW for two 12V power shelves or 12kW for two 48V power shelves.

SELECTION GUIDE	
Part Number	Description
S1U-3X-16-A-12-RC	Power shelf for 12V D1U
S1U-3X-16-A-48-RC	Power shelf for 48V D1U

OUTPUT AND PROTECTION CHARACTERISTICS			
Parameter			
Main output set point	Output total regulation	Please Refer to Appropriate D1U Datasheet on <a href="http://www.cd4power.com">www.cd4power.com</a>	
	Output ripple voltage & noise		12V 1200W: CPS_D1U-W-1200-12.pdf
	Output current operating range		12V 1600W: CPS_D1U-W-1600-12.pdf
Standby output set point	Output total regulation		48V 1200W: CPS_D1U-W-1200-48.pdf
	Output ripple voltage & noise		48V 1600W: CPS_D1U-W-1600-48.pdf
	Output current operating range		48V 2000W: CPS_D1U-W-2000-48.pdf
Efficiency			
Start-up time			
Transient response main output			
Transient response standby output			
Current sharing accuracy (up to 3 in parallel with 5A total minimum current)			
Hold-up time			
Over-temperature (Auto-restart)			
Over voltage main output (Latching)			
Over voltage standby output (Latching)			
Over current main output (Latching)			
Over current standby output (Latching)			

**D1U Family Part Numbering**

**D1U-W-1200-12-HA1C**

- D = Distributed Power
- 1U = 1U
- W = Wide AC input
- 1200 = 1200 Watts
- 1600 = 1600 Watts
- 2000 = 2000 Watts (only available in 48V output model)
- 12 = Main output 12V
- 48 = Main output 48V
- C = RoHS compliant
- 1 = Airflow front to back, 2 = Airflow back to front
- Standby Output Voltage A=5V, B=12V, C=3.3V, 0=no standby
- H = Hotplug connector

EMISSIONS & IMMUNITY (with power supplies inserted) <sup>1</sup>		
Conditions	Description	Criteria
Harmonics	IEC/EN 61000-3-2	
Voltage fluctuation & flicker	IEC/EN 61000-3-3	
Emission conducted	FCC 47 CFR Parts 15 / CISPR 22 / EN 55022	Class A, 6dB margin
Emission radiated	FCC 47 CFR Parts 15 / CISPR 22 / EN 55022	Class A, 6dB margin
ESD	IEC/EN 61000-4-2	4kV contact discharge
		8kV operational air discharge
		15kV non-operational air discharge
Electromagnetic field	IEC/EN 61000-4-3	
Electrical fast transients/burst	IEC/EN 61000-4-4	
Surge	IEC/EN 61000-4-5	1kV/2kV, performance criteria B
RF Conducted immunity	IEC/EN 61000-4-6	3 Vac, 80% AM, 1kHz, Performance criteria A
Magnetic immunity	IEC/EN 61000-4-8	3A/m
Voltage dips, interruptions	IEC/EN 61000-4-11	

SAFETY	
Parameter	Condition
Agency approvals	c-CSA-us (CSA 60950-1-03/UL 60950-1, first edition)
Material flammability	UL 94V-0

<sup>1</sup> Product is designed to meet the referenced standards.



GENERAL CHARACTERISTICS					
Parameter	Conditions	MIN.	TYP.	MAX.	Units
Storage Temperature Range	Non-condensing	-40		125	°C
Operating Temperature Range		0		50	
Operating Humidity	Non-condensing	10		90	%
Storage Humidity		5		90	
Shock	30G non operating				
Sinusoidal Vibration	0.5G, 5 – 500 Hz				
MTBF	Calculated per Bellcore at Ta=30°C	200			x10 <sup>5</sup> hrs
	Demonstrated	200			x10 <sup>5</sup> hrs

CONNECTOR TO CUSTOMER SYSTEM					
Signal Connector: MOLEX # 39-28-5204 OR TYCO # 281282-1					
Pin Assignment	Signal Name	Description	High Level Low Level	I Max	
1	AC_OK1 <sup>1</sup>	Input AC Voltage 'OK' signal output for the shelf	open drain < 0.7V	- 2 mA + 4 mA	
2	P_Good1 <sup>2</sup>	Power good signal output for the shelf	open drain < 0.7V	- 2 mA + 4 mA	
3	PS_On1 <sup>3</sup>	Power enable for the shelf	> 2.1V (open, or Vsb) < 0.7V (active, PS:On)	- 1 mA - 4 mA	
4	NOT USED				
5	AC_OK0 <sup>1</sup>	Input AC Voltage "OK" signal output for the shelf	open drain < 0.7V	- 2 mA + 4 mA	
6	P_Good0 <sup>2</sup>	Power good signal output for the shelf	open drain < 0.7V	- 2 mA + 4 mA	
7	PS_On0 <sup>3</sup>	Power enable for the shelf	> 2.1V (open, or Vsb) < 0.7V (active, PS:On)	- 1 mA - 4 mA	
8	NOT USED				
9	I <sup>2</sup> C ADR2	Address input 2	> 2.1V, < Vsb < 0.8V	± 1 mA	
10	I <sup>2</sup> C Clock <sup>4</sup>	I <sup>2</sup> C serial clock bus	Vsb		
11	I <sup>2</sup> C Data <sup>4</sup>	I <sup>2</sup> C serial data bus	Vsb		
12	I_SHARE				
13	SENSE + <sup>5</sup>				
14	SENSE - <sup>5</sup>				
15	Vsb	Standby voltage output			
16	Vsb	Standby voltage output			
17	Vsb	Standby voltage output			
18	GND	GROUND			
19	GND	GROUND			
20	GND	GROUND			

All control signals are with respect to Ground. Negative currents exit the power supply.

<sup>1</sup> Signal goes low when any one of the three power supplies loses AC

<sup>2</sup> Signal goes low when any one of the three power supplies fail

<sup>3</sup> Pull this pin to GND to turn on three power supplies at the same time. Use I<sup>2</sup>C to turn on one power supply at a time.

<sup>4</sup> Recommended 10KOhm pull up resistor to host 3.3 or 5V rail

<sup>5</sup> Short Sense+ to +Vout and Sense- to GND at the point of load

SHELF TO SHELF CONNECTION				
Signal Connector: MOLEX # 39-28-5164 OR TYCO # 281281-1				
Pin Assignment	Signal Name	Description	High Level Low Level	I Max
1	AC_OK1 <sup>1</sup>	Input AC Voltage 'OK' signal output for the shelf	open drain < 0.7V	- 2 mA + 4 mA
2	P_Good1 <sup>2</sup>	Power good signal output for the shelf	open drain < 0.7V	- 2 mA + 4 mA
3	PS_On1 <sup>3</sup>	Power enable for the shelf	> 2.1V (open, or Vsb) < 0.7V (active, PS:On)	- 1 mA - 4 mA
4	NOT USED			
5	NOT USED			
6	I <sup>2</sup> C Clock <sup>4</sup>	I <sup>2</sup> C serial clock bus	Vsb	
7	I <sup>2</sup> C Data <sup>4</sup>	I <sup>2</sup> C serial data bus	Vsb	
8	I_SHARE			
9	SENSE + <sup>5</sup>			
10	SENSE - <sup>5</sup>			
11	Vsb	Standby voltage output		
12	Vsb	Standby voltage output		
13	Vsb	Standby voltage output		
14	GND	GROUND		
15	GND	GROUND		
16	GND	GROUND		

All control signals are with respect to Ground. Negative currents exit the power supply.

<sup>1</sup> Signal goes low when any one of the three power supplies loses AC

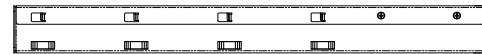
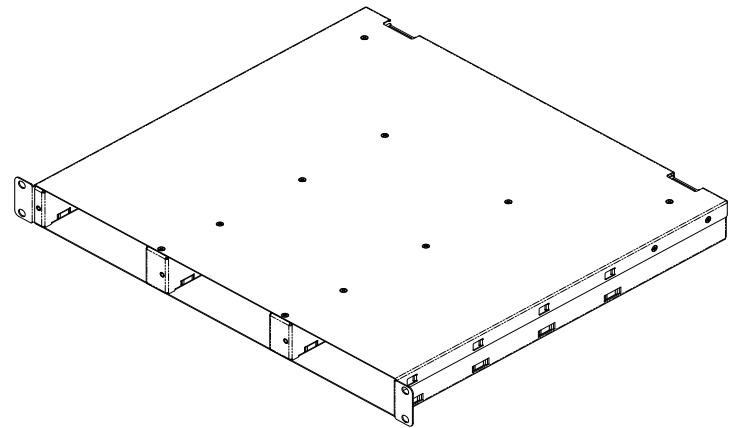
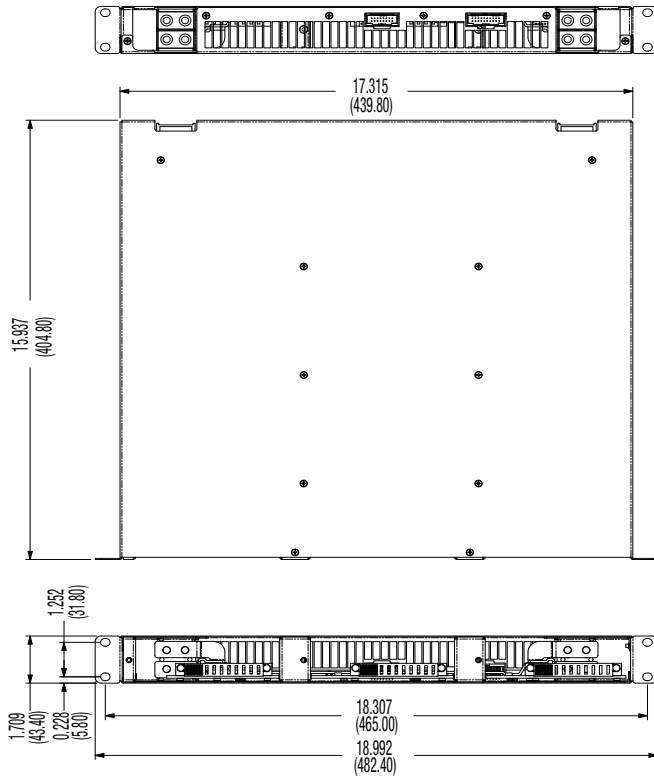
<sup>2</sup> Signal goes low when any one of the three power supplies fail

<sup>3</sup> Pull this pin to GND to turn on three power supplies at the same time. Use I<sup>2</sup>C to turn on one power supply at a time.

<sup>4</sup> Recommended 10KOhm pull up resistor to host 3.3 or 5V rail

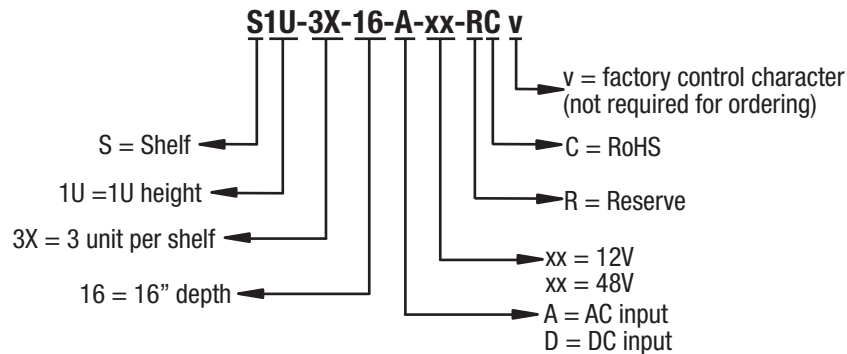
<sup>5</sup> Short Sense+ to +Vout and Sens- to GND at the point of load

OPTIONAL ACCESSORIES	
Description	C&D Part Number
Shelf to Shelf Cable	535-413-1537-1



**NOTES:**

1. The DC output terminals are of terminal block style that will allow connection using crimp type right-angle lugs accepting up to AWG#2 wire, Panduit lug LCC2-14AWF-Q or equivalent is recommended.
2. Two M6 studs at 15.88 mm centre spacing are provided for connection to each pole. Hardware is provided for fastening the lugs/wires as well as terminal block covers



Murata Power Solutions, Inc.  
11 Cabot Boulevard, Mansfield, MA 02048-1151 U.S.A.  
Tel: (508) 339-3000 (800) 233-2765 Fax: (508) 339-6356

**www.murata-ps.com email: sales@murata-ps.com ISO 9001 REGISTERED**

03/05/08  
Murata Power Solutions, Inc. makes no representation that the use of its products in the circuits described herein, or the use of other technical information contained herein, will not infringe upon existing or future patent rights. The descriptions contained herein do not imply the granting of licenses to make, use, or sell equipment constructed in accordance therewith. Specifications are subject to change without notice.  
© 2008 Murata Power Solutions, Inc.

- USA:** Tucson (Az), Tel: (800) 547 2537, email: sales@murata-ps.com
- Canada:** Toronto, Tel: (866) 740 1232, email: toronto@murata-ps.com
- UK:** Milton Keynes, Tel: +44 (0)1908 615232, email: mk@murata-ps.com
- France:** Montigny Le Bretonneux, Tel: +33 (0)1 34 60 01 01, email: france@murata-ps.com
- Germany:** München, Tel: +49 (0)89-544334-0, email: munich@murata-ps.com
- Japan:** Tokyo, Tel: 3-3779-1031, email: sales\_tokyo@murata-ps.com  
Osaka, Tel: 6-6354-2025, email: sales\_osaka@murata-ps.com  
**Website: www.murata-ps.jp**
- China:** Shanghai, Tel: +86 215 027 3678, email: shanghai@murata-ps.com  
Guangzhou, Tel: +86 208 221 8066, email: guangzhou@murata-ps.com