



Chipsmall Limited consists of a professional team with an average of over 10 year of expertise in the distribution of electronic components. Based in Hongkong, we have already established firm and mutual-benefit business relationships with customers from,Europe,America and south Asia,supplying obsolete and hard-to-find components to meet their specific needs.

With the principle of “Quality Parts,Customers Priority,Honest Operation,and Considerate Service”,our business mainly focus on the distribution of electronic components. Line cards we deal with include Microchip,ALPS,ROHM,Xilinx,Pulse,ON,Everlight and Freescale. Main products comprise IC,Modules,Potentiometer,IC Socket,Relay,Connector.Our parts cover such applications as commercial,industrial, and automotives areas.

We are looking forward to setting up business relationship with you and hope to provide you with the best service and solution. Let us make a better world for our industry!



Contact us

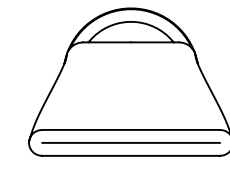
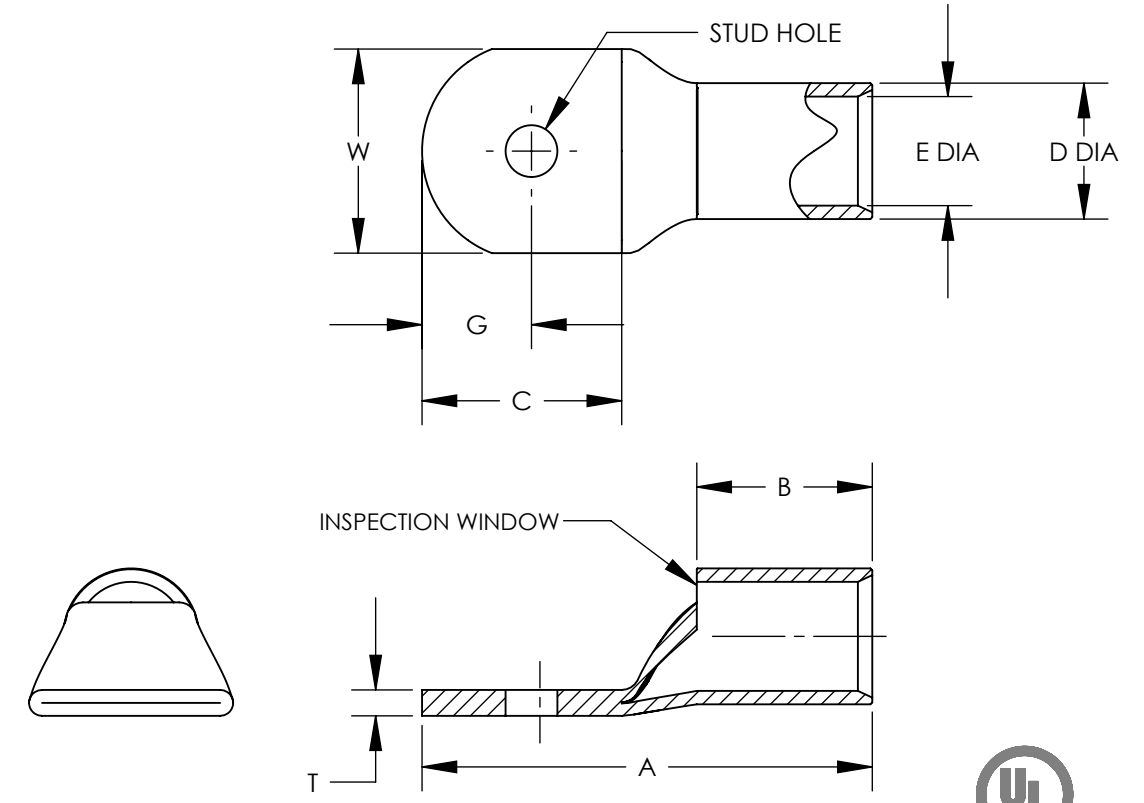
Tel: +86-755-8981 8866 Fax: +86-755-8427 6832

Email & Skype: info@chipsmall.com Web: www.chipsmall.com

Address: A1208, Overseas Decoration Building, #122 Zhenhua RD., Futian, Shenzhen, China



PART #	WIRE	WIRE STRIP LENGTH	STUD HOLE	A +/- .1	B +/- .08	D +/- .01	E +/- .01	G +/- .1	C +/- .1	T +/- .03	W +/- .03
S8-10R	8	7/16"	#10	1.1	0.40	0.27	0.18	0.25	0.56	0.08	0.41
S8-14R	8	7/16"	1/4	1.2	0.40	0.27	0.18	0.25	0.62	0.07	0.48
S8-56R	8	7/16"	5/16	1.3	0.40	0.27	0.18	0.33	0.75	0.05	0.60
S8-38R	8	7/16"	3/8	1.4	0.40	0.27	0.18	0.36	0.84	0.05	0.60
S6-10R	6	1/2"	#10	1.2	0.48	0.31	0.22	0.25	0.56	0.09	0.45
S6-14R	6	1/2"	1/4	1.3	0.48	0.31	0.22	0.25	0.62	0.08	0.48
S6-56R	6	1/2"	5/16	1.4	0.48	0.31	0.22	0.32	0.74	0.07	0.56
S6-38R	6	1/2"	3/8	1.5	0.48	0.31	0.22	0.36	0.84	0.06	0.62
S4-10R	4	1/2"	#10	1.2	0.48	0.38	0.28	0.25	0.56	0.09	0.55
S4-14R	4	1/2"	1/4	1.3	0.48	0.38	0.28	0.25	0.62	0.09	0.55
S4-56R	4	1/2"	5/16	1.4	0.48	0.38	0.28	0.32	0.74	0.09	0.55
S4-38R	4	1/2"	3/8	1.5	0.48	0.38	0.28	0.36	0.84	0.07	0.62
S2-10R	2 & 1	5/8"	#10	1.6	0.59	0.47	0.36	0.36	0.74	0.11	0.70
S2-14R	2 & 1	5/8"	1/4	1.6	0.59	0.47	0.36	0.36	0.74	0.11	0.70
S2-56R	2 & 1	5/8"	5/16	1.7	0.59	0.47	0.36	0.36	0.80	0.11	0.70
S2-38R	2 & 1	5/8"	3/8	1.7	0.59	0.47	0.36	0.36	0.83	0.11	0.70
S2-12R	2 & 1	5/8"	1/2	1.9	0.59	0.47	0.36	0.47	1.07	0.09	0.79
S1/0-14R	1/0	5/8"	1/4	1.6	0.58	0.52	0.39	0.36	0.74	0.12	0.76
S1/0-56R	1/0	5/8"	5/16	1.7	0.58	0.52	0.39	0.36	0.80	0.12	0.76
S1/0-38R	1/0	5/8"	3/8	1.7	0.58	0.52	0.39	0.37	0.84	0.12	0.76
S1/0-12R	1/0	5/8"	1/2	1.9	0.58	0.52	0.39	0.47	1.07	0.12	0.82
S2/0-14R	2/0	11/16"	1/4	1.9	0.66	0.58	0.45	0.45	0.90	0.13	0.85
S2/0-56R	2/0	11/16"	5/16	1.9	0.66	0.58	0.45	0.45	0.90	0.13	0.85
S2/0-38R	2/0	11/16"	3/8	1.9	0.66	0.58	0.45	0.45	0.90	0.13	0.85
S2/0-76R	2/0	11/16"	7/16	2.1	0.66	0.58	0.45	0.51	1.10	0.13	0.85
S2/0-12R	2/0	11/16"	1/2	2.1	0.66	0.58	0.45	0.51	1.10	0.13	0.85
S3/0-14R	3/0	7/8"	1/4	2.1	0.83	0.64	0.51	0.45	0.90	0.13	0.96
S3/0-56R	3/0	7/8"	5/16	2.1	0.83	0.64	0.51	0.45	0.90	0.13	0.96
S3/0-38R	3/0	7/8"	3/8	2.1	0.83	0.64	0.51	0.45	0.90	0.13	0.96
S3/0-76R	3/0	7/8"	7/16	2.3	0.83	0.64	0.51	0.51	1.10	0.13	0.96
S3/0-12R	3/0	7/8"	1/2	2.3	0.83	0.64	0.51	0.51	1.10	0.13	0.96
S4/0-14R	4/0	15/16"	1/4	2.3	0.91	0.71	0.57	0.57	1.04	0.14	1.06
S4/0-56R	4/0	15/16"	5/16	2.3	0.91	0.71	0.57	0.57	1.04	0.14	1.06
S4/0-38R	4/0	15/16"	3/8	2.3	0.91	0.71	0.57	0.57	1.04	0.14	1.06
S4/0-76R	4/0	15/16"	7/16	2.5	0.91	0.71	0.57	0.57	1.16	0.14	1.06
S4/0-12R	4/0	15/16"	1/2	2.5	0.91	0.71	0.57	0.57	1.16	0.14	1.06
S250-56R	250	1-1/16"	5/16	2.5	1.01	0.77	0.63	0.57	1.04	0.14	1.17
S250-38R	250	1-1/16"	3/8	2.5	1.01	0.77	0.63	0.57	1.04	0.14	1.17
S250-76R	250	1-1/16"	7/16	2.6	1.01	0.77	0.63	0.57	1.16	0.14	1.17
S250-12R	250	1-1/16"	1/2	2.6	1.01	0.77	0.63	0.57	1.16	0.14	1.17



NOTES:

1. MATERIAL: HIGH CONDUCTIVITY SEAMLESS COPPER TUBE
2. PLATING: ELECTRO-TIN
3. WIRE TYPE: STRANDED COPPER; CLASS B: COMPACT, COMPRESSED OR CONCENTRIC, CLASS C: CONCENTRIC
4. UL LISTED WIRE CONNECTOR: YES, FOR APPLICATIONS UP TO 35 KV. CONSULT CABLE MANUFACTURER FOR VOLTAGE STRESS RELIEF INSTRUCTIONS WITH APPLICATIONS GREATER THAN 2000 VOLTS.
5. UL TEMPERATURE RATING: 90° C
6. CSA CERTIFIED WIRE CONNECTOR: YES

REV	DATE	BY	CHK	APR	DESCRIPTION	ECN	TITLE	ITEM REVISION NAME	DATASET FILE NAME	MATERIAL	DRAWING NUMBER	SHEET 1 OF 1	SIZE
							TUBULAR TERMINALS	N41178BA/11	N41178BA-C41178/11.SLDDRW	SEE NOTES	C41178		B
11	8/14	JHNU	TLCO	RGB	REVISED NOTES CONVERTED DWG TO SOLIDWORKS	N41178BA-C41178	CUSTOMER DRAWING			UNLESS OTHERWISE SPECIFIED, DIMENSIONAL TOLERANCES ARE: IN [mm] .X ± .XXX ± .XX ± ANGLES ±			
							THIRD ANGLE PROJECTION						
							DRAWN BY EJD	DATE	CHK WJB	SCALE N/A			