



Chipsmall Limited consists of a professional team with an average of over 10 year of expertise in the distribution of electronic components. Based in Hongkong, we have already established firm and mutual-benefit business relationships with customers from,Europe,America and south Asia,supplying obsolete and hard-to-find components to meet their specific needs.

With the principle of “Quality Parts,Customers Priority,Honest Operation,and Considerate Service”,our business mainly focus on the distribution of electronic components. Line cards we deal with include Microchip,ALPS,ROHM,Xilinx,Pulse,ON,Everlight and Freescale. Main products comprise IC,Modules,Potentiometer,IC Socket,Relay,Connector.Our parts cover such applications as commercial,industrial, and automotives areas.

We are looking forward to setting up business relationship with you and hope to provide you with the best service and solution. Let us make a better world for our industry!



## Contact us

Tel: +86-755-8981 8866 Fax: +86-755-8427 6832

Email & Skype: info@chipsmall.com Web: www.chipsmall.com

Address: A1208, Overseas Decoration Building, #122 Zhenhua RD., Futian, Shenzhen, China

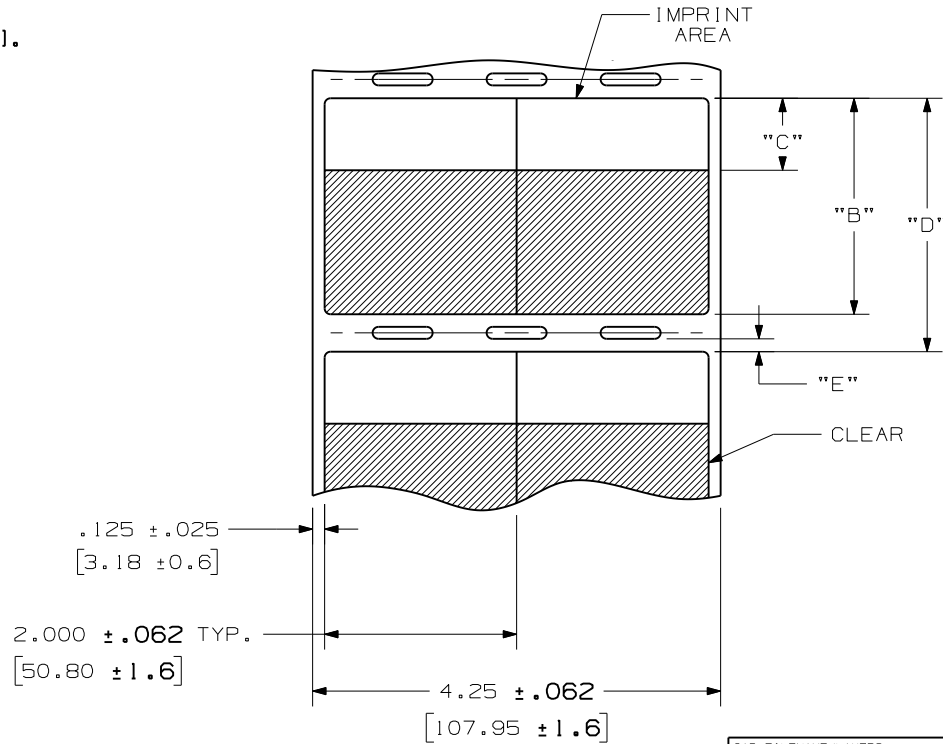


THIS COPY IS PROVIDED ON A RESTRICTED BASIS AND IS NOT TO BE USED IN ANY WAY DETRIMENTAL TO THE INTERESTS OF PANDUIT CORP.

PART NUMBER	MATERIAL	"B" HEIGHT +/- .062	IMPRINT AREA "C" +/- .062	VERTICAL REPEAT "D" +/- .062	"E" +/- .025	LABELS PER ROW	STANDARD PKG. QTY.
S200X225VA1Y	GMV16 OR GMV17	2.25 [ 57.2 ]	0.75 [ 19.1 ]	2.50 [ 63.5 ]	0.063 [ 1.60 ]	2	500
S200X400VA1Y		4.00 [ 101.6 ]	1.00 [ 25.4 ]	4.25 [ 108.0 ]			
S200X650VA1Y		6.50 [ 165.1 ]	1.50 [ 38.1 ] +/- .10	6.75 [ 171.5 ]			

3

NOTES:  
1. MILLIMETERS ARE IN [ ].



CAD FILENAME/LAYERS 100472BR-DC-C10193/04D

PANDUIT CORP. TINLEY PARK, ILLINOIS

CUSTOMER DRAWING  
OPTIMUM SELF-LAM. S200X\*\*\*VA1Y  
THERMAL TRANSFER PRINTABLE LABELS

REV	DATE	BY	CHK	DESCRIPTION	ECN	R	CUST	SUP
3	10/25/11	RVU		"GMV16 OR GMV17" WAS "GMV16".	6548	R		
2	12/10/09	RVU		OBS. PN: S200X***VA1 AND S200X400TA1. UPDATE ALL STANDARD TOLERANCES EXCEPT 1.50 +/- .10.	5925	R		
1	1-8-07	RVU		REVISED TOLERANCES.	4830	R		
0	9-11-06	RVU		DRAWING RELEASE.	4671	R		

UNLESS OTHERWISE SPECIFIED,  
DIMENSIONAL TOLERANCES ARE:  
(.X) ± .12 (.XXX) ± .025  
(.XX) ± .062 ANGLES ±

UNLESS OTHERWISE SPECIFIED,  
ALL DIMENSIONS ARE GIVEN  
IN INCHES, THIRD ANGLE PROJECTION.

DRAWN BY  
RVU  
DATE  
9-22-04  
CHK'D

MAT'L:  
SEE TABLE

SCALE  
NTS  
DRAWING NO.  
C10193  
DWG  
A  
SIZE