



Chipsmall Limited consists of a professional team with an average of over 10 year of expertise in the distribution of electronic components. Based in Hongkong, we have already established firm and mutual-benefit business relationships with customers from,Europe,America and south Asia,supplying obsolete and hard-to-find components to meet their specific needs.

With the principle of “Quality Parts,Customers Priority,Honest Operation,and Considerate Service”,our business mainly focus on the distribution of electronic components. Line cards we deal with include Microchip,ALPS,ROHM,Xilinx,Pulse,ON,Everlight and Freescale. Main products comprise IC,Modules,Potentiometer,IC Socket,Relay,Connector.Our parts cover such applications as commercial,industrial, and automotives areas.

We are looking forward to setting up business relationship with you and hope to provide you with the best service and solution. Let us make a better world for our industry!



Contact us

Tel: +86-755-8981 8866 Fax: +86-755-8427 6832

Email & Skype: info@chipsmall.com Web: www.chipsmall.com

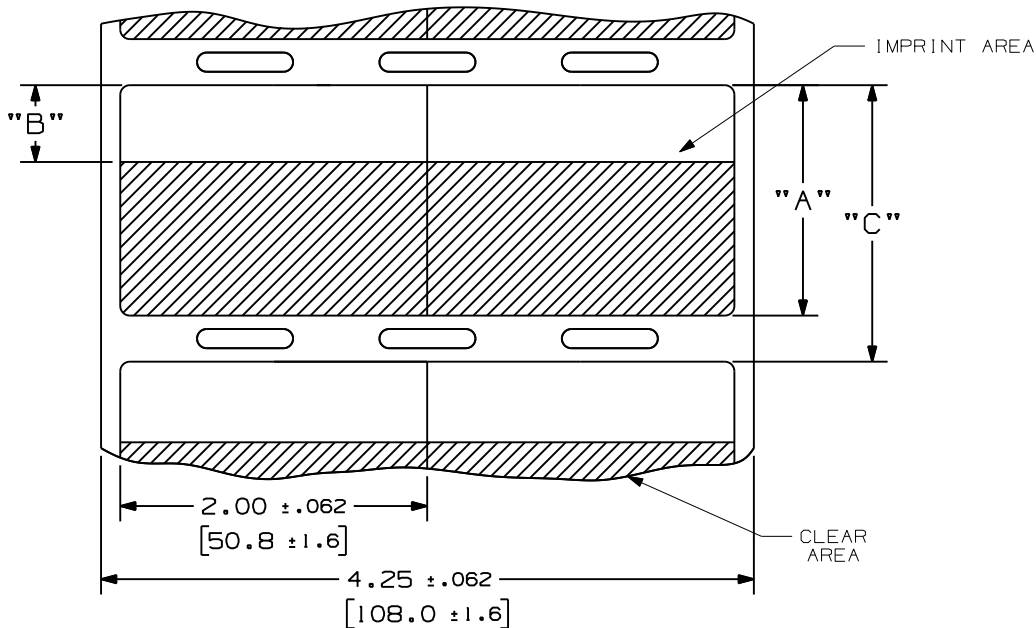
Address: A1208, Overseas Decoration Building, #122 Zhenhua RD., Futian, Shenzhen, China



THIS COPY IS PROVIDED ON A RESTRICTED BASIS AND IS NOT TO BE USED IN ANY WAY DETRIMENTAL TO THE INTERESTS OF PANDUIT CORP.

PART NUMBER	MATERIAL	"A" HEIGHT +/- .062	IMPRINT AREA "B" +/- .062	VERTICAL REPEAT "C" +/- .062	LABELS PER ROW	STANDARD PKG. QTY.
S200X150TAT	GMT1	1.50 [12.7]	0.50 [12.7]	1.75 [44.5]	2	5000
S200X250TAT		2.50 [63.5]	1.00 [25.4]	2.75 [69.8]		1000
S200X150VATY	GMV16 OR GMV17	1.50 [12.7]	0.50 [12.7]	1.75 [44.5]		5000
S200X225VATY		2.25 [57.2]	0.75 [19.1]	2.50 [63.5]		1000
S200X250VATY		2.50 [63.5]	1.00 [25.4]	2.75 [69.8]		
S200X400VATY		4.00 [101.6]	4.25 [108.0]			
S200X650VATY		6.50 [165.1]	1.50 [38.1] +/- .10	6.75 [171.5]		

NOTES:
1. MILLIMETERS ARE IN [].



CAD FILENAME/LAYERS
I00472BY_DC_C10468/08H

7	10/25/11	RVU		"GMV16 OR GMV17" WAS "GMV".	6548	R			
6	12/10/09	RVU	MSAD	UPDATE ON ALL STANDARD TOLERANCES. ADD +/- .10 TO 1.50.	5925	R			
5	3/5/09	RVU		5000 WAS 1000, +/- .062 UPDATE. This change was originally initiated and approved under ECN 5371 but the drawing change was not properly implemented.	5698	R			
4				VOID					
3	1-6-09	RVU		1.50 +/- .10 WAS 1.00 +/- .031. CHANGE SIZE B TO A. .12, .062, .020 WAS .030, .015, .010. REMOVE NOTE 2. REMOVE ALL VAT PARTS. ADD NEW P/N, S200X150TAT, S200X250TAT, AND S200X250VATY. S200X***VATY, GMV16 WAS GMV.	5633	R			
2	5/30/07	RVU			5021	R			
1	1-8-07	RVU		REVISED TOLERANCES.	4830	R			
0	9-1-06	RVU		DRAWING RELEASED.	4671	R			
REV	DATE	BY	CHK	DESCRIPTION	ECN	R	CUST	SUP	

PANDUIT CORP. TINLEY PARK, ILLINOIS

CUSTOMER DRAWING
OPTIMUM SELF-LAM. S200X***VATY
THERMAL TRANSFER PRINTABLE LABELS

UNLESS OTHERWISE SPECIFIED,
DIMENSIONAL TOLERANCES ARE:
(.X) ± .12 (.XXX) ± .025
(.XX) ± .062 ANGLES ±

UNLESS OTHERWISE SPECIFIED,
ALL DIMENSIONS ARE GIVEN
IN INCHES, THIRD ANGLE PROJECTION.

DRAWN BY
RVU

MAT'L:

SCALE
NTS

DATE
9-1-06

SEE TABLE

DRAWING NO.

C10468

DWG
A
SIZE

CHK'D
[Signature]