



Chipsmall Limited consists of a professional team with an average of over 10 year of expertise in the distribution of electronic components. Based in Hongkong, we have already established firm and mutual-benefit business relationships with customers from,Europe,America and south Asia,supplying obsolete and hard-to-find components to meet their specific needs.

With the principle of "Quality Parts,Customers Priority,Honest Operation,and Considerate Service",our business mainly focus on the distribution of electronic components. Line cards we deal with include Microchip,ALPS,ROHM,Xilinx,Pulse,ON,Everlight and Freescale. Main products comprise IC,Modules,Potentiometer,IC Socket,Relay,Connector.Our parts cover such applications as commercial,industrial, and automotives areas.

We are looking forward to setting up business relationship with you and hope to provide you with the best service and solution. Let us make a better world for our industry!



Contact us

Tel: +86-755-8981 8866 Fax: +86-755-8427 6832

Email & Skype: info@chipsmall.com Web: www.chipsmall.com

Address: A1208, Overseas Decoration Building, #122 Zhenhua RD., Futian, Shenzhen, China



Hall Effect Current Sensors S26P200D15Y



Features:

- Closed Loop type
- Current or voltage output
- Conversion ratio $K_N = 1:2000$
- Printed circuit board mounting
- Aperture
- Insulated plastic case according to UL94V0
- UL Recognition

Advantages:

- Excellent accuracy and linearity
- Low temperature drift
- Wide frequency bandwidth
- No insertion loss
- High Immunity to external interferences
- Optimised response time
- Current overload capability

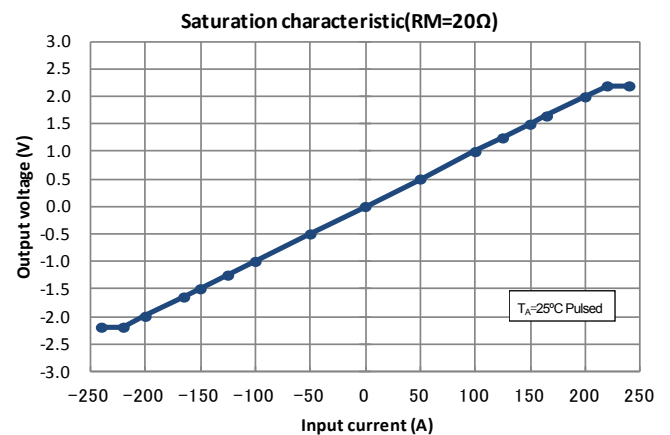
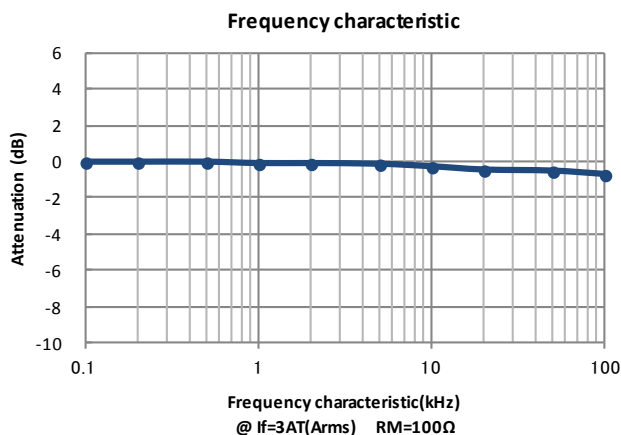
 $T_A=25^\circ\text{C}, V_{CC}=\pm 15\text{V}$

Specifications

Parameters	Symbol	S26P200D15Y	
Primary nominal current	I_f	200A	300A
Maximum current ¹ (at 85°C)	I_{fmax}	$\pm 350\text{A}$ (at $R_M \leq 5\Omega$)	
Measuring resistance (at 85°C)	R_M	0Ω ~ 26Ω (at $V_{CC} = \pm 12\text{V}$) 0Ω ~ 56Ω (at $V_{CC} = \pm 15\text{V}$)	0Ω ~ 4Ω (at $V_{CC} = \pm 12\text{V}$) ² 0Ω ~ 8Ω (at $V_{CC} = \pm 15\text{V}$)
Conversion Ratio	K_N	1 : 2000	
Rated output current	I_o	100mA	150mA
Output current accuracy ³ (at I_f)	X	$I_o \pm 0.4\%$	
Offset current ⁴ (at $I_f=0\text{A}$)	I_{of}	$\leq \pm 0.2\text{mA}$	
Output linearity ³ (0A ~ I_f)	ϵ_L	$\leq \pm 0.15\%$ (at I_f)	
Power supply voltage ¹	V_{CC}	$\pm 12\text{V} \dots \pm 15\text{V} \pm 5\%$	
Consumption current	I_{CC}	$\leq \pm 16\text{mA}$ (Output current is not included)	
Response time ⁵	t_r	$\leq 1.0\mu\text{s}$ (at $di/dt = 100\text{A} / \mu\text{s}$)	
Thermal drift of gain ⁶	T_{clo}	$\leq \pm 0.01\% / ^\circ\text{C}$	
Thermal drift of offset current	T_{clof}	$\leq \pm 0.5\text{mA max}$ (at $T_A = -40^\circ\text{C} \leftrightarrow +85^\circ\text{C}$)	
Hysteresis error	I_{oH}	$\leq 0.3\text{mA}$ (@ $I_f=0\text{A} \rightarrow I_f \rightarrow I_f=0\text{A}$)	
Insulation voltage	V_d	AC 3000V, for 1minute (sensing current 0.5mA), inside of through hole \leftrightarrow terminal	
Insulation resistance	R_{IS}	$\geq 500\text{M}\Omega$ (@ DC 500V), inside of through hole \leftrightarrow terminal	
Secondary coil resistance	R_s	60Ω (at $T_A = 70^\circ\text{C}$), 65Ω (at $T_A = 85^\circ\text{C}$)	
Ambient operation temperature	T_A	$-40^\circ\text{C} \sim +85^\circ\text{C}$	
Ambient storage temperature	T_s	$-40^\circ\text{C} \sim +90^\circ\text{C}$	

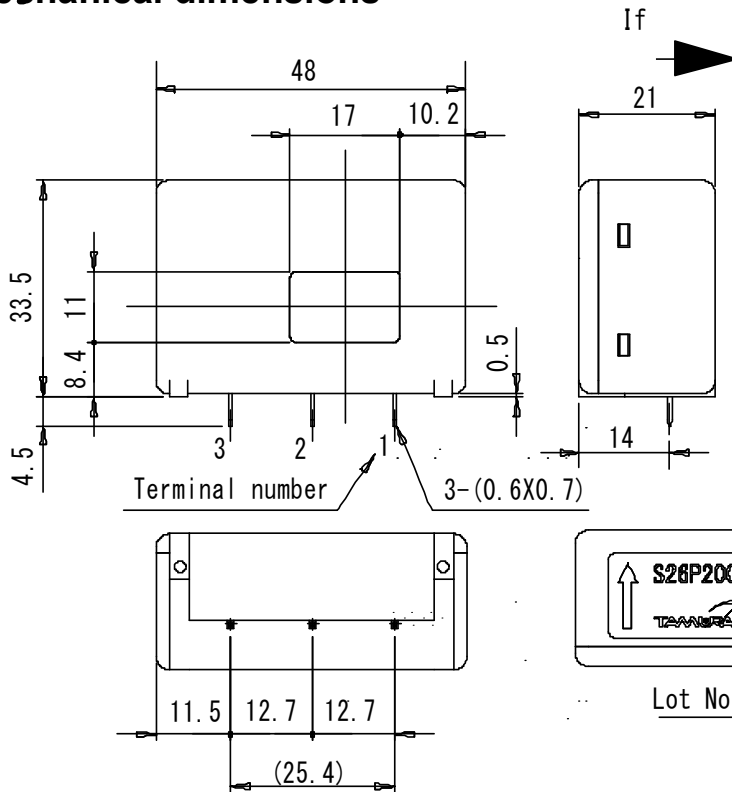
¹ Maximum current is restricted by V_{CC} — ² $I_f = 250\text{A}$ — ³ Without offset current — ⁴ After removal of core hysteresis — ⁵ Time between 90% input current full scale and 90% of sensor output full scale — ⁶ Without Thermal drift of offset current

Electrical Performances



Hall Effect Current Sensors S26P200D15Y

Mechanical dimensions



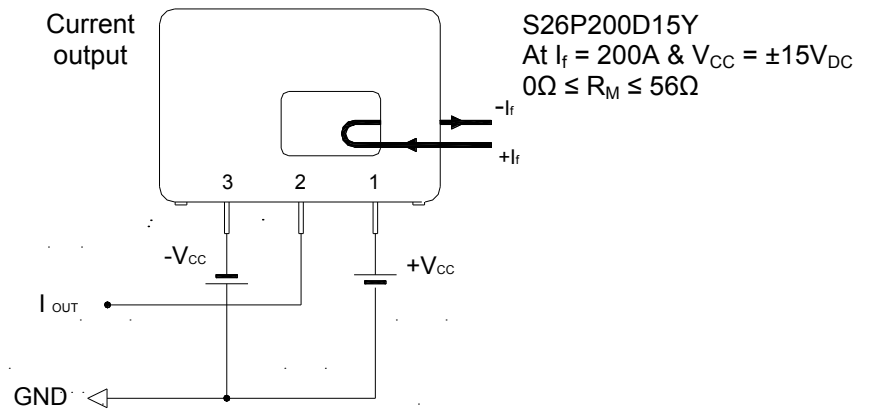
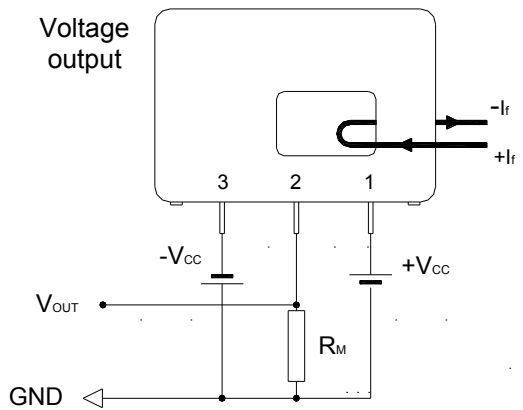
NOTES

1. Unit is mm
2. Tolerance is 0.5mm

Terminal number:

1. +Vcc(+15V)
2. I_{OUT}
3. -Vcc(-15V)

Electrical connection diagram



UL Standard

UL 508 , CSA C22.2 No.14 (UL FILE No.E243511)

- For use in Pollution Degree 2 Environment.
- Maximum Surrounding air temperature rating, 85°C.

CAUTION

Do not wrap the primary conductor around the core part of the product to increase measured current.

Package & Weight Information

Weight	Pcs/box	Pcs/carton	Pcs/pallet
45g	50	200	5400