



Chipsmall Limited consists of a professional team with an average of over 10 year of expertise in the distribution of electronic components. Based in Hongkong, we have already established firm and mutual-benefit business relationships with customers from,Europe,America and south Asia,supplying obsolete and hard-to-find components to meet their specific needs.

With the principle of “Quality Parts,Customers Priority,Honest Operation,and Considerate Service”,our business mainly focus on the distribution of electronic components. Line cards we deal with include Microchip,ALPS,ROHM,Xilinx,Pulse,ON,Everlight and Freescale. Main products comprise IC,Modules,Potentiometer,IC Socket,Relay,Connector.Our parts cover such applications as commercial,industrial, and automotives areas.

We are looking forward to setting up business relationship with you and hope to provide you with the best service and solution. Let us make a better world for our industry!



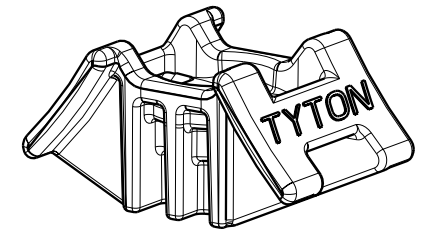
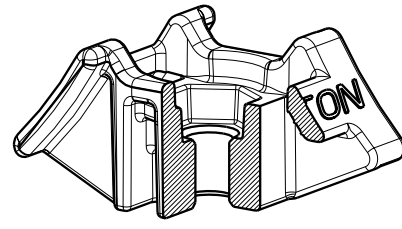
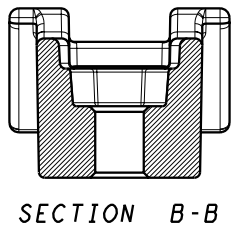
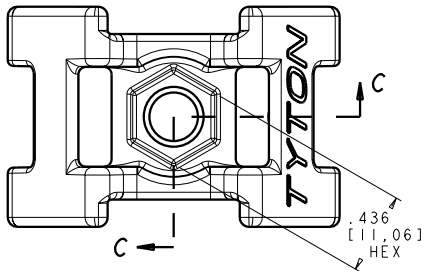
Contact us

Tel: +86-755-8981 8866 Fax: +86-755-8427 6832

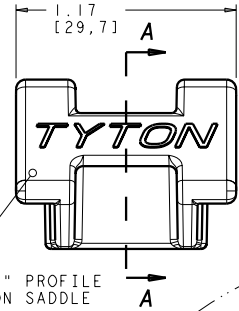
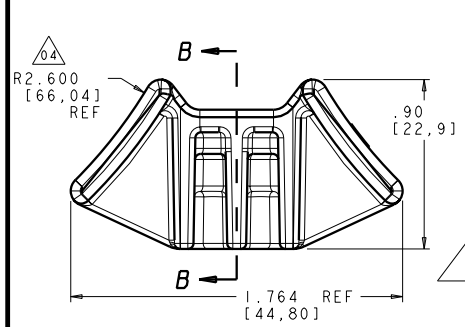
Email & Skype: info@chipsmall.com Web: www.chipsmall.com

Address: A1208, Overseas Decoration Building, #122 Zhenhua RD., Futian, Shenzhen, China



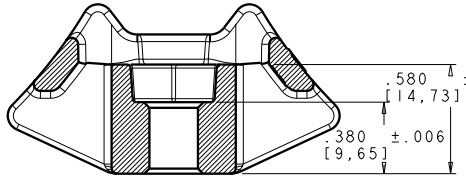


SECTION C-C

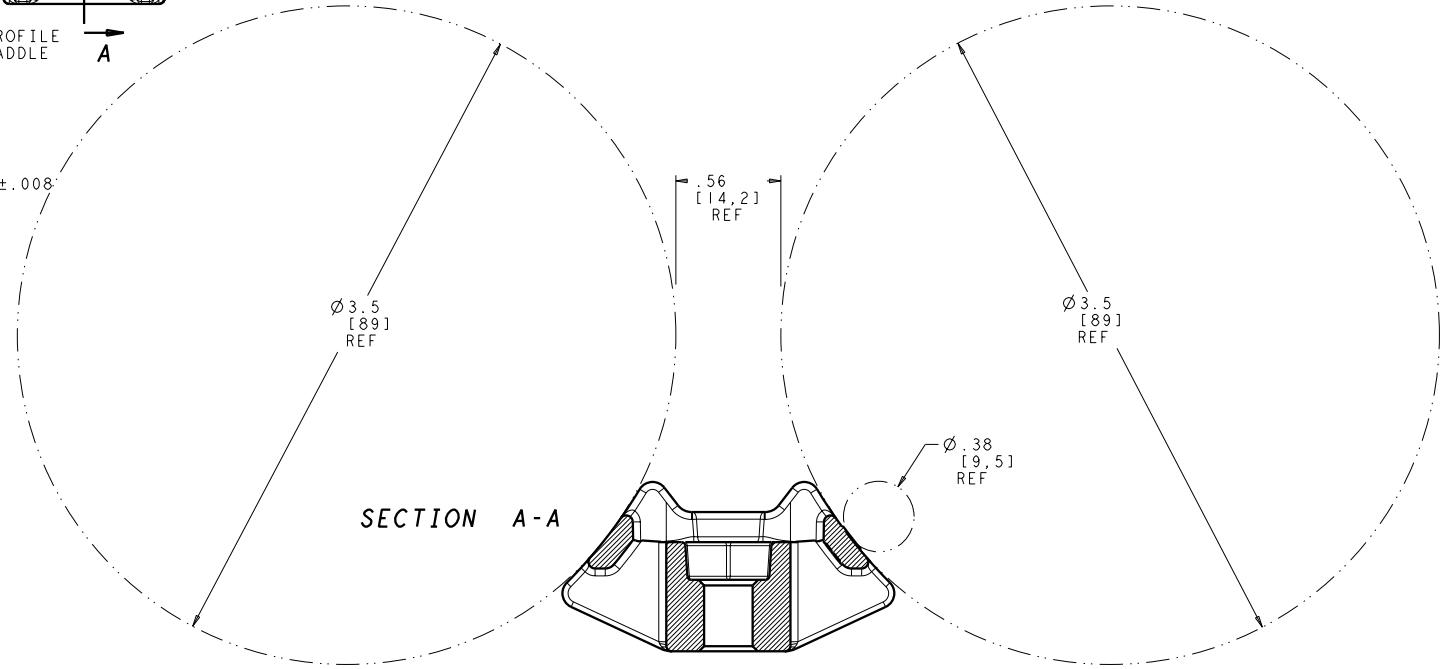
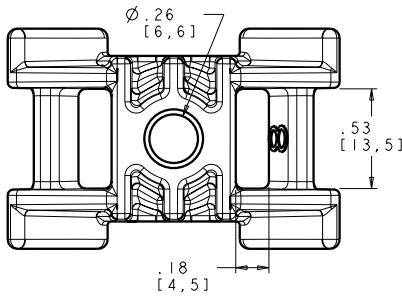


FEATURES:

- PROVIDES DUAL BUNDLING/PARALLEL SPACING - SEE SECTION A-A
- "H" PROFILE ON SADDLE PROVIDES FOR TIGHT CIRCUMFERENTIAL LOOP ON LARGE AND SMALL BUNDLES
- HEX FEATURE CAPTURES BOLT OR NUT REQUIRING TOOL ACCESS FROM BACK SIDE ONLY
- MOUNTING HOLE DIAMETER AND HEX RETAINER WORKS WITH 6mm & 1/4" NUTS AND BOLTS
- RUGGED HEAVY DUTY DESIGN & MATERIAL
- 250 lb ASSEMBLY STRENGTH IN ANY DIRECTION
- WITHSTANDS 115 in-lb OF TORQUE APPLIED TO FASTENER
- FASTEN MOUNT WITH BOLT, SCREW, RIVET, SPIKE, ETC...
- ACCEPTS MOST STANDARD CABLE TIES UP TO 1/2" WIDE
- ALSO CHAINING OF MULTIPLE BUNDLES ON A SINGLE MOUNT IS AVAILABLE IF T250 WITH BUCKLE/MOUNT FEATURE IS USED



SECTION A-A



SECTION A-A

INVENTORS

HellermannTyton®

ALL PROPRIETARY RIGHTS IN THE SUBJECT MATTER SHOWN ON THIS DRAWING ARE EXCLUSIVE PROPERTY OF HELLERMANN TYTON

name	date	city, state
GERRY GEIGER	1/27/98	JACKSON WI

REVISION

level	by	date	description
04	GGG	1/28/11	

ECN # 011738

part level B

DIMENSIONS

TOLERANCES UNLESS OTHERWISE SPECIFIED

units	inches/[mm]
.XXXX=	±0.001/[0.25]
.XXX=	±0.010/[.25]
.XX=	±0.02/[1.5]
.X=	±0.1/[2.5]
∠=	±0.5

PART

number	S2HM25	phase	PRODUCTION
name	2-WAY SADDLE MOUNT FOR 6MM & 1/4" BOLTS WITH HEXAGONAL RETENTION		
material	NYLON 6/6 IMPACT MODIFIED, HEAT STABILIZED, UV RESISTANT, BLACK		

DRAWING

FORMAT	AH version J	CAD	PRO-E	scale	1/1
computer file number		previous number			
drawn	G GEIGER	checked		approved	
date	2/16/00				
type	CUSTOMER			sheet	1 of 1
number	MT202501ICST				