



Chipsmall Limited consists of a professional team with an average of over 10 year of expertise in the distribution of electronic components. Based in Hongkong, we have already established firm and mutual-benefit business relationships with customers from,Europe,America and south Asia,supplying obsolete and hard-to-find components to meet their specific needs.

With the principle of “Quality Parts,Customers Priority,Honest Operation,and Considerate Service”,our business mainly focus on the distribution of electronic components. Line cards we deal with include Microchip,ALPS,ROHM,Xilinx,Pulse,ON,Everlight and Freescale. Main products comprise IC,Modules,Potentiometer,IC Socket,Relay,Connector.Our parts cover such applications as commercial,industrial, and automotives areas.

We are looking forward to setting up business relationship with you and hope to provide you with the best service and solution. Let us make a better world for our industry!



Contact us

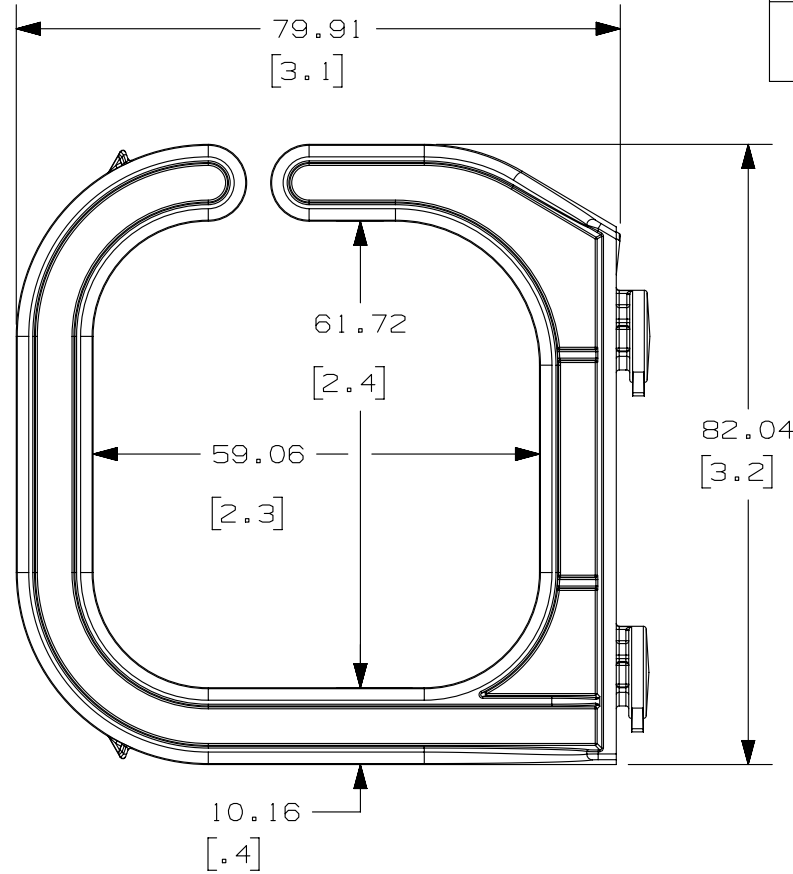
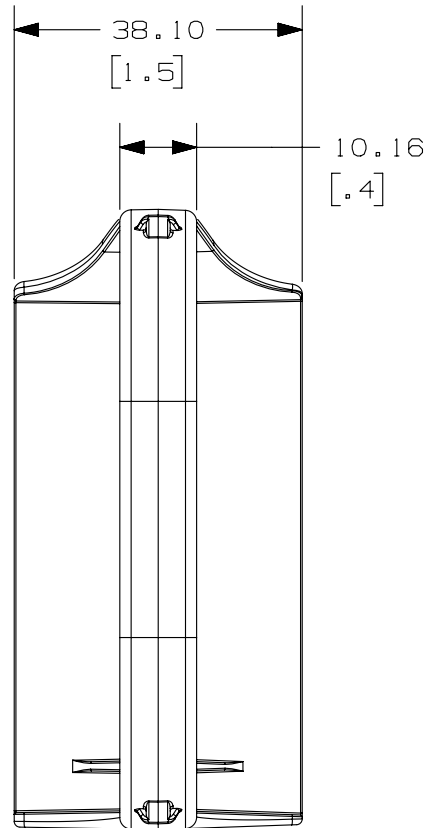
Tel: +86-755-8981 8866 Fax: +86-755-8427 6832

Email & Skype: info@chipsmall.com Web: www.chipsmall.com

Address: A1208, Overseas Decoration Building, #122 Zhenhua RD., Futian, Shenzhen, China



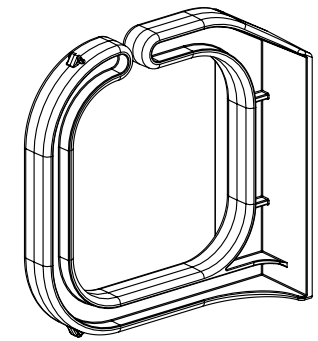
THIS COPY IS PROVIDED ON A RESTRICTED BASIS AND IS NOT TO BE USED IN ANY WAY DETRIMENTAL TO THE INTERESTS OF PANDUIT CORP.



PANDUIT P/N	WEIGHT
S2DR	181.44 Kg/EACH 0.40 LBS/EACH

NOTES:

- VISIT OUR ON-LINE CATALOG AT WWW.PANDUIT.COM FOR A LIST OF CURRENT PARTS APPLICABLE FOR USE WITH THIS PRODUCT.
- PRIMARY DIMENSIONS ARE IN MILLIMETERS (mm).
- PARTS SUPPLIED:
(8) - CMDRH2 D-RING
(1) - INSTRUCTION SHEET
- COMPATIBLE WITH S2BRK12 AND S2BRK6.



REV	DATE	BY	CHK	APR	DESCRIPTION	ECN
OOA	7-11-13	PBS	RCHA	JDWE	RELEASED TO PRODUCTION	12V343ZK-DC

TITLE						S2DR D-RING KIT					
						CUSTOMER DRAWING					
ITEM REVISION NAME						12V343ZK/00.PRT					
DATASET FILE NAME						12V343ZK_DC/00A.PRT					
UNLESS OTHERWISE SPECIFIED, DIMENSIONAL TOLERANCES ARE:						MATERIAL/COLOR:					
INCHES		METRIC - MILLIMETER		ANGLE							
X.X +/- 0.03		X. +/- 0.8									
X.XX +/- 0.018		X.X +/- 0.46		+/- 1°							
X.XXX +/- 0.007		X.XX +/- 0.18									
DRAWING NUMBER:						12V343ZK-DC					
DRAWN BY		DATE		CHK		SCALE		SIZE			
PBS		7-11-13		RCHA		NONE		SHT 1 OF 1 A			