



Chipsmall Limited consists of a professional team with an average of over 10 year of expertise in the distribution of electronic components. Based in Hongkong, we have already established firm and mutual-benefit business relationships with customers from,Europe,America and south Asia,supplying obsolete and hard-to-find components to meet their specific needs.

With the principle of “Quality Parts,Customers Priority,Honest Operation,and Considerate Service”,our business mainly focus on the distribution of electronic components. Line cards we deal with include Microchip,ALPS,ROHM,Xilinx,Pulse,ON,Everlight and Freescale. Main products comprise IC,Modules,Potentiometer,IC Socket,Relay,Connector.Our parts cover such applications as commercial,industrial, and automotives areas.

We are looking forward to setting up business relationship with you and hope to provide you with the best service and solution. Let us make a better world for our industry!



Contact us

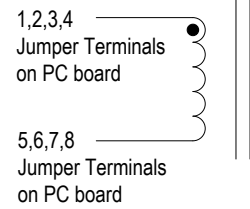
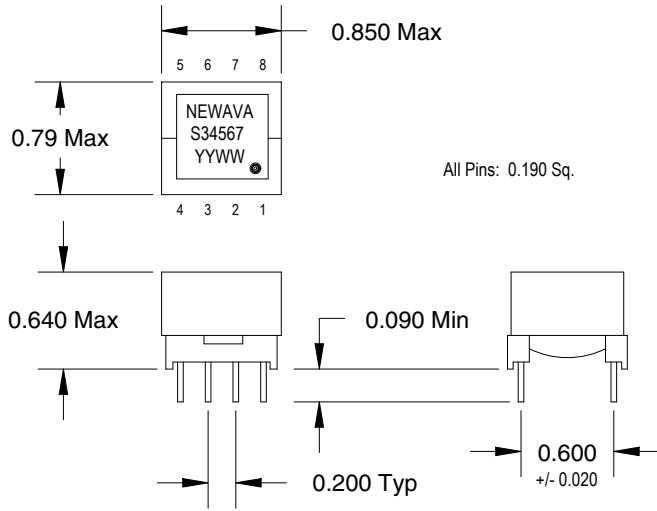
Tel: +86-755-8981 8866 Fax: +86-755-8427 6832

Email & Skype: info@chipsmall.com Web: www.chipsmall.com

Address: A1208, Overseas Decoration Building, #122 Zhenhua RD., Futian, Shenzhen, China



EP17 LM259X Inductor
47 uHy 3.70 ADC



ELECTRICAL SPECS:

- 1: INDUCTANCE: @ 10 kHz, 0.1 Vrms
(1 thru 4 to 5 thru 8) = 47 - 60 uHy
- 2: DCRs:
(1 thru 4 to 5 thru 8) = 0.040 Ohms Max.
- 3: SRF: 2.0 MHz Min
- 4: HIPOT: 500 VDC
Winding to core (2 Sec., 5 mA Max)

All pins may not be used.
Specifications at room temperature of 25 C.

A	3/28/03		KAM	Production Release	
REV.	DATE	ECN	BY	DESCRIPTION	
TOLERANCES ON			Newava Tech. Watertown, SD 57201 605-886-0264		
.XXX	.XX	ANGLE			
+ -	+ -	+ -	DATE	DRAWING NO.	REV.
DRAWN:			SCALE	MODEL	
CHECKED: -					
APPROVED: -			- KAM	NEXT ASSY:	
THIS PRINT MUST NOT BE COPIED IN WHOLE OR IN PART				OR USED DETRIMENTALLY TO OUR INTEREST	
					SHEET 1 OF 1