



Chipsmall Limited consists of a professional team with an average of over 10 year of expertise in the distribution of electronic components. Based in Hongkong, we have already established firm and mutual-benefit business relationships with customers from,Europe,America and south Asia,supplying obsolete and hard-to-find components to meet their specific needs.

With the principle of “Quality Parts,Customers Priority,Honest Operation,and Considerate Service”,our business mainly focus on the distribution of electronic components. Line cards we deal with include Microchip,ALPS,ROHM,Xilinx,Pulse,ON,Everlight and Freescale. Main products comprise IC,Modules,Potentiometer,IC Socket,Relay,Connector.Our parts cover such applications as commercial,industrial, and automotives areas.

We are looking forward to setting up business relationship with you and hope to provide you with the best service and solution. Let us make a better world for our industry!



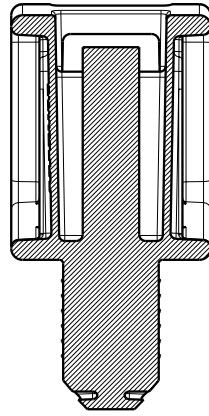
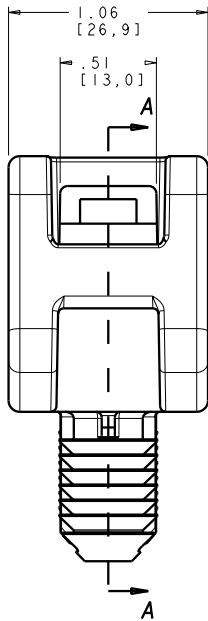
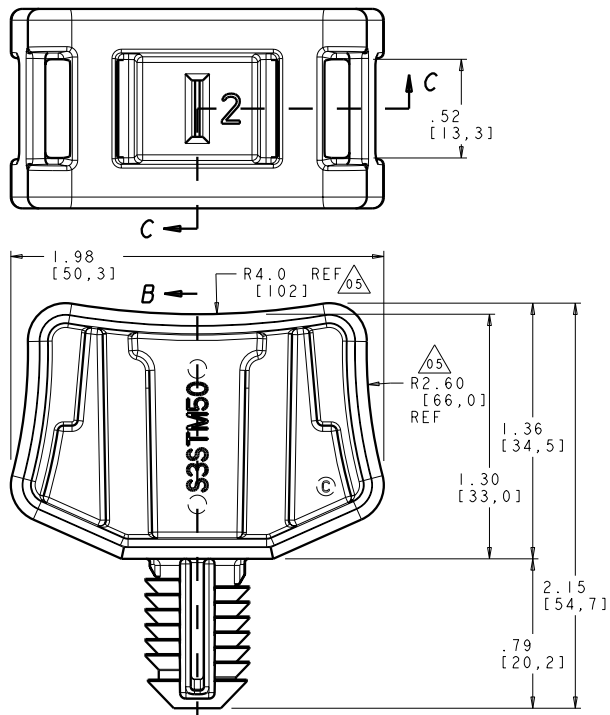
Contact us

Tel: +86-755-8981 8866 Fax: +86-755-8427 6832

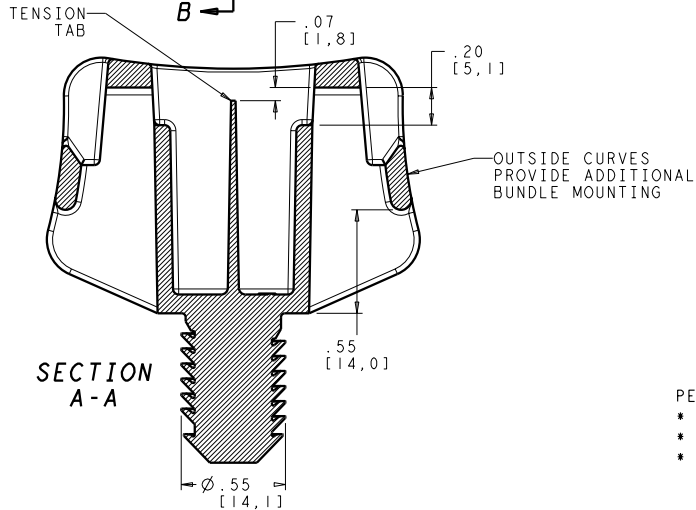
Email & Skype: info@chipsmall.com Web: www.chipsmall.com

Address: A1208, Overseas Decoration Building, #122 Zhenhua RD., Futian, Shenzhen, China

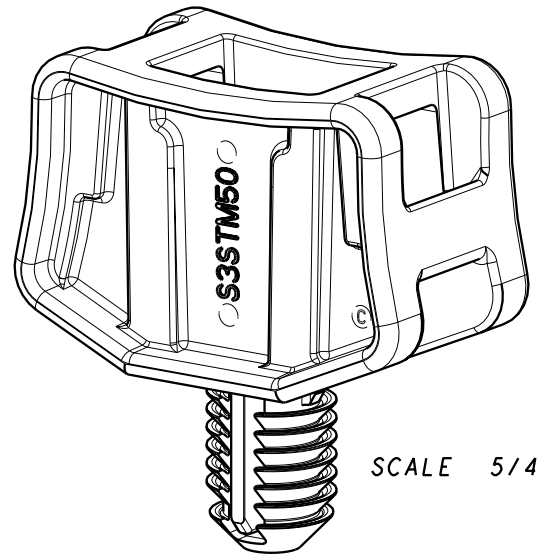




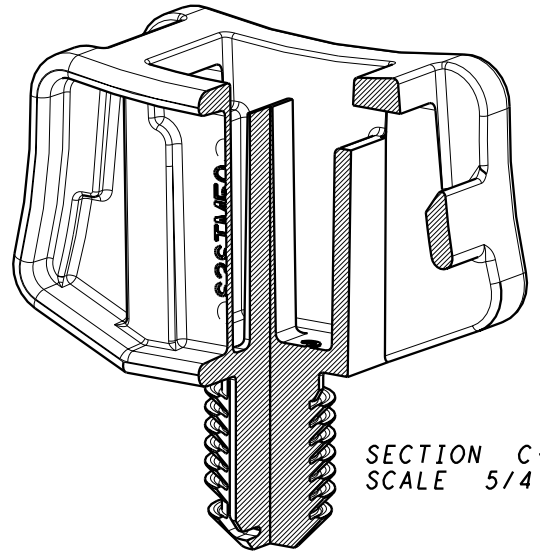
SECTION B-B



SECTION A-A



SCALE 5/4



SECTION C-C
SCALE 5/4

PERFORMANCE REQUIREMENTS:
 * FIR TREE MOUNTS INTO .520 +/- .020" HOLES
 * PANEL THICKNESS RANGE IS FROM .075 TO .515"
 * FIR TREE PULL OUT FORCE IS GREATER THAN 140lbs IN A .520" HOLE AND A SHEET METAL THICKNESS OF .237"

INVENTORS

HellermannTyton®

ALL PROPRIETARY RIGHTS IN THE SUBJECT MATTER SHOWN ON THIS DRAWING ARE EXCLUSIVE PROPERTY OF HELLERMANNTYTON

name	date	city, state
GERRY GEIGER	1/2/98	JACKSON WI

REVISION

D level	Δ 05
A by	GGG
W date	1/9/12
I date	
N date	
G ECN #	012007
part level	C

DIMENSIONS

Tolerance	.XXXX= ±0.005/[1,127]
	.XXX= ±0.010/[1,25]
	.XX= ±0.02/[1,5]
	.X= ±0.1/[2,5]
	∠= ±0.5
	unless otherwise specified
units	inches

PART

number	S3STM50	phase	PRODUCTION
name	STANDOFF 3-WAY SADDLE with 1/2" FIR TREE MOUNT		
material	NYLON 6/6 IMPACT MODIFIED, HEAT STABILIZED BLACK		

DRAWING

FORMAT	AH version J	CAD	PRO-E	scale	1/1
computer file number				previous number	
drawn	G GEIGER	checked	K Christian	approved	
date	1/2/98		1/9/12		
type	CUSTOMER			sheet	1 of 1
number	MT2022009CST				