



Chipsmall Limited consists of a professional team with an average of over 10 year of expertise in the distribution of electronic components. Based in Hongkong, we have already established firm and mutual-benefit business relationships with customers from,Europe,America and south Asia,supplying obsolete and hard-to-find components to meet their specific needs.

With the principle of “Quality Parts,Customers Priority,Honest Operation,and Considerate Service”,our business mainly focus on the distribution of electronic components. Line cards we deal with include Microchip,ALPS,ROHM,Xilinx,Pulse,ON,Everlight and Freescale. Main products comprise IC,Modules,Potentiometer,IC Socket,Relay,Connector.Our parts cover such applications as commercial,industrial, and automotives areas.

We are looking forward to setting up business relationship with you and hope to provide you with the best service and solution. Let us make a better world for our industry!



## Contact us

Tel: +86-755-8981 8866 Fax: +86-755-8427 6832

Email & Skype: info@chipsmall.com Web: www.chipsmall.com

Address: A1208, Overseas Decoration Building, #122 Zhenhua RD., Futian, Shenzhen, China



# Customer Information Sheet

DRAWING No.: S437-XX

SHEET 3 OF 3

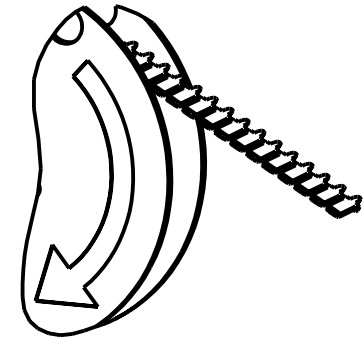
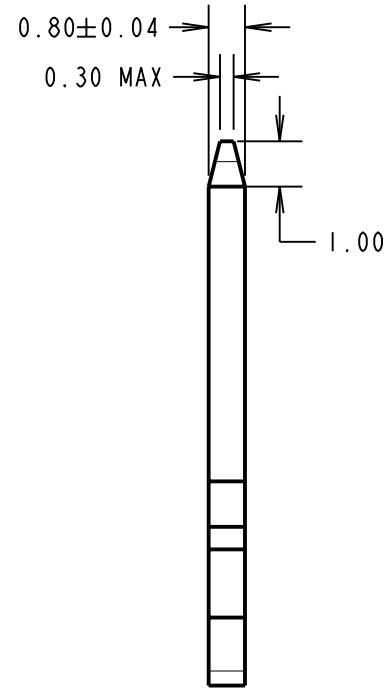
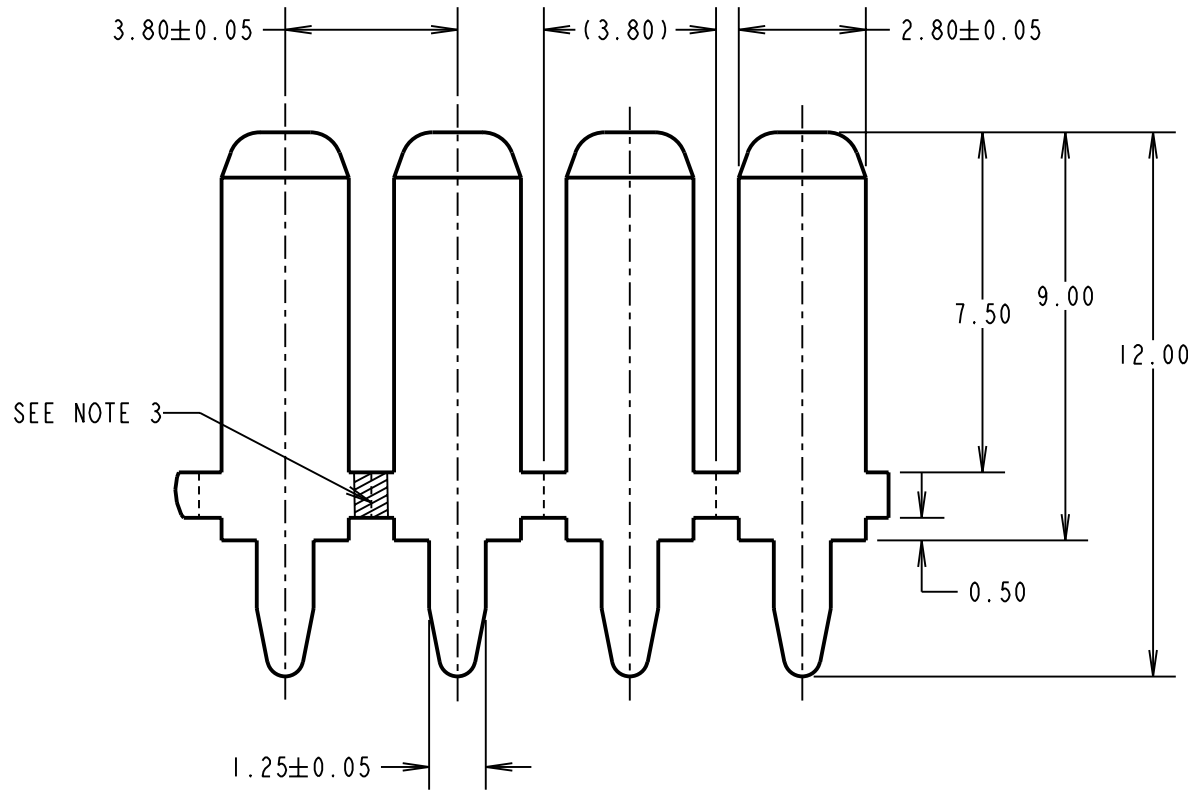
IF IN DOUBT - ASK

©

NOT TO SCALE

THIRD ANGLE PROJECTION

ALL DIMENSIONS IN mm



COMPONENTS SHOWN REELED  
READY FOR INSERTION

**NOTES:**

1. QUANTITY OF TABS PER REEL = 20K.  
TOTAL WEIGHT PER REEL = 5.5kg (INCLUDING REEL).
2. RECOMMENDED MOUNTING HOLE SIZE =  $\varnothing 1.30 \pm 0.06$ mm.
3. THIS SECTION CAN BE CROPPED OUT WITH THE APPROPRIATE TOOLING.

ORDER CODE:  
**S437-XX**  
FINISH: \_\_\_\_\_  
~~06 = 4 $\mu$  90/10 TIN/LEAD~~  
37 = 5 $\mu$  SILVER  
~~46 = 4 $\mu$  100% TIN~~

SB	4	22.03.11	10770
NAME	ISS.	DATE	C/NOTE
APPROVED:		S. BENNETT	
CHECKED:		R. ADDE	
DRAWN:		J. EVANS	
CUSTOMER REF.:			
ASSEMBLY DRG:			

**HARWIN**

THIS DRAWING AND ANY INFORMATION OR DESCRIPTIVE MATTER SET OUT HEREON ARE CONFIDENTIAL AND COPYRIGHT PROPERTY OF THE HARWIN GROUP AND MUST NOT BE DISCLOSED, LOANED, COPIED OR USED FOR MANUFACTURING, TENDERING OR FOR ANY OTHER PURPOSE WITHOUT THEIR WRITTEN PERMISSION.

**TOLERANCES**

X. =  $\pm 1$ mm  
X.X =  $\pm 0.25$ mm  
X.XX =  $\pm 0.10$ mm  
X.XXX =  $\pm 0.01$ mm

ANGLES =  $\pm 5^\circ$

UNLESS STATED

**MATERIAL:**

BRASS CW508L TO BS EN 1652  
(CuZn37 HARD)

FINISH: SEE ABOVE

S/AREA:

mm<sup>2</sup>

**TITLE:**

2.8mm VERTICAL BLADE  
REELED TERMINAL  
(9mm HIGH)

DRAWING NUMBER:

**S437-XX**

SHT  
3  
OF  
3

HARWIN USA  
TEL: 603 893 5376  
FAX: 603 893 5396  
mis@harwin.com

HARWIN Europe (UK)  
TEL: 023 9231 4545  
FAX: 023 9231 4590  
mis@harwin.co.uk

HARWIN Asia  
TEL: +65 6 779 4909  
FAX: +65 6 779 3868  
mis@harwin.com.sg