



Chipsmall Limited consists of a professional team with an average of over 10 year of expertise in the distribution of electronic components. Based in Hongkong, we have already established firm and mutual-benefit business relationships with customers from,Europe,America and south Asia,supplying obsolete and hard-to-find components to meet their specific needs.

With the principle of “Quality Parts,Customers Priority,Honest Operation,and Considerate Service”,our business mainly focus on the distribution of electronic components. Line cards we deal with include Microchip,ALPS,ROHM,Xilinx,Pulse,ON,Everlight and Freescale. Main products comprise IC,Modules,Potentiometer,IC Socket,Relay,Connector.Our parts cover such applications as commercial,industrial, and automotives areas.

We are looking forward to setting up business relationship with you and hope to provide you with the best service and solution. Let us make a better world for our industry!



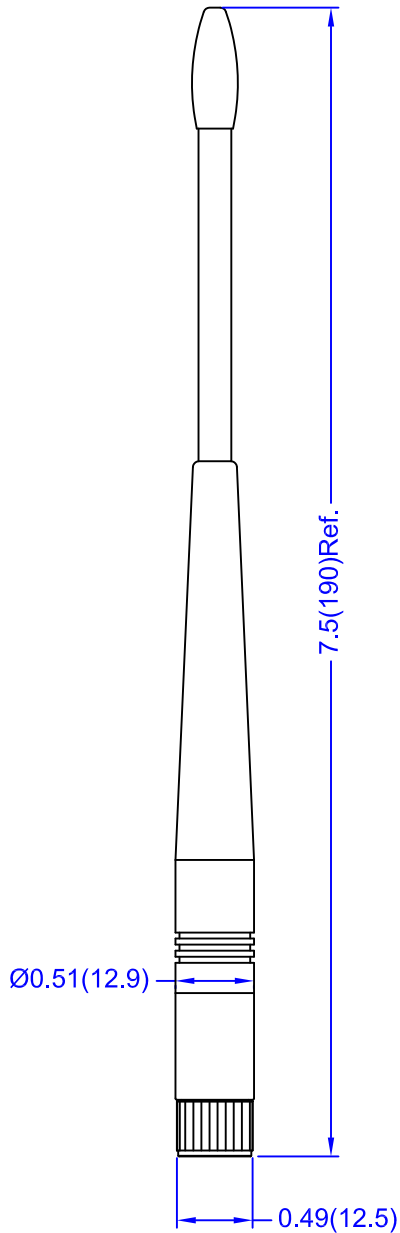
## Contact us

Tel: +86-755-8981 8866 Fax: +86-755-8427 6832

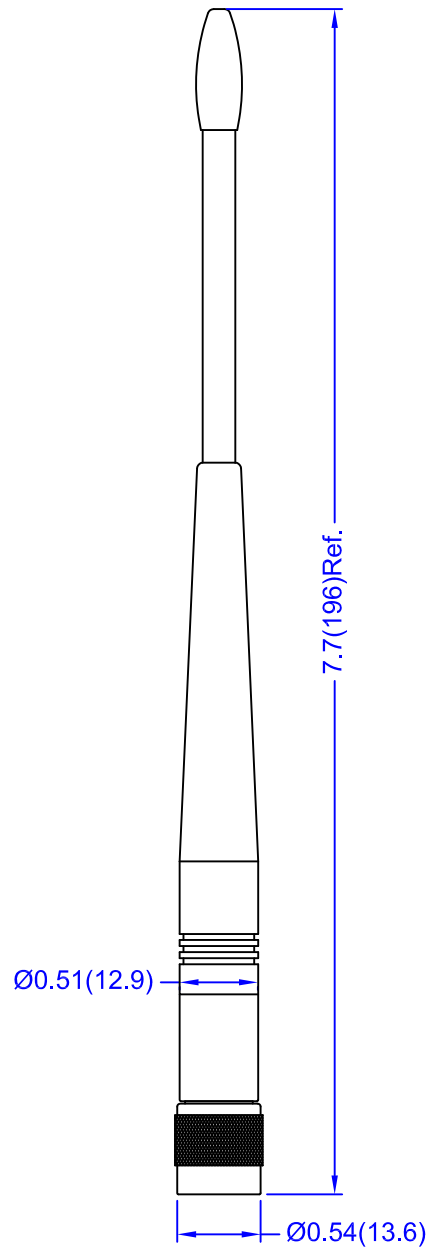
Email & Skype: info@chipsmall.com Web: www.chipsmall.com

Address: A1208, Overseas Decoration Building, #122 Zhenhua RD., Futian, Shenzhen, China





SMA type connector



TNC type connector

Electrical Properties:

Frequency Range: 902~928 MHz  
 Impedance: 50Ω nominal  
 VSWR: <2.0:1  
 Gain: 2.0 dBi  
 Radiation: Omni  
 Polarization: Vertical  
 Wave: Half Wave Dipole

Mechanical Properties:

Material:  
 Whip: Polyurethane(Black)  
 Connector: Brass with black chrome plating  
 Operation Temp.: -20°C to +65°C  
 Storage Temp.: -30°C to +75°C

This is a RoHS compliant product.

TITLE	900 MHz ISM Band Straight Antenna - 467 model	Rev. Date	SHEET
		04/23/13	1 of 2
UNIT	DWG. NO.	S467XX - 915	
in.(mm)			
SCALE			
none			

## Series Part Numbers

Connector Code -XX-	Description	P / N
AM	SMA Plug	S467AM-915
AH	SMA Plug Reverse Polarity	S467AH-915
TC	TNC	S467TC-915
TR	TNC Plug Reverse Polarity	S467TR-915
BC	BNC	S467BC-915
BR	BNC Plug Reverse Polarity	S467BR-915

## Connector Interface



SMA Plug  
(AM)



SMA Plug Reverse Polarity  
(AH)



TNC Plug  
(TC)



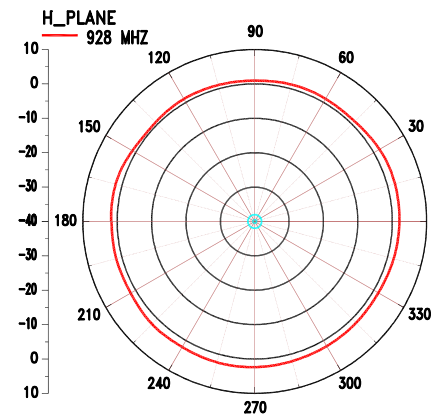
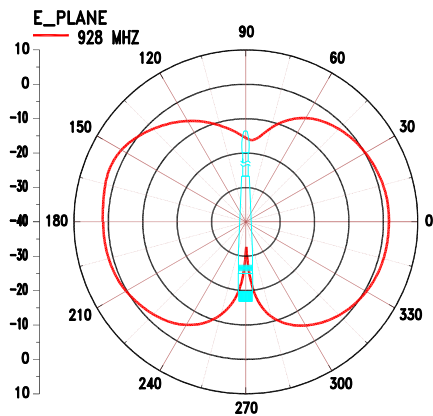
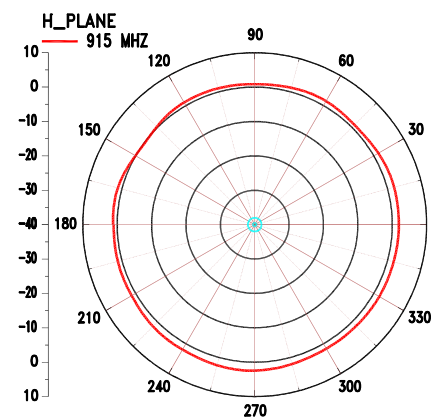
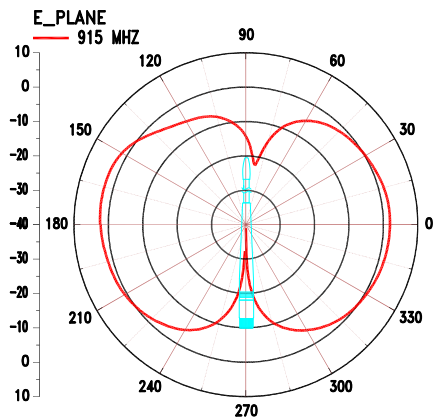
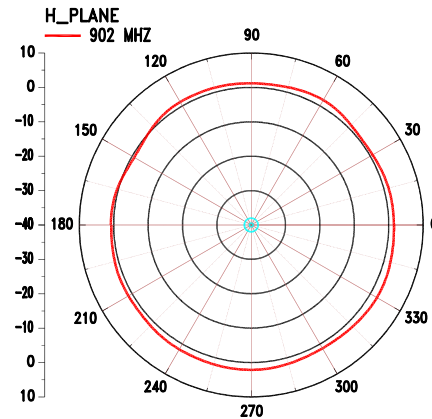
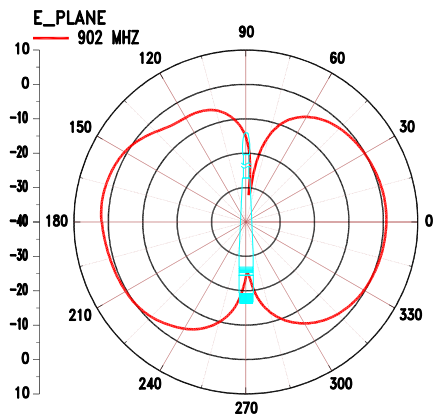
TNC Plug Reverse Polarity  
(TR)



BNC Plug  
(BC)



BNC Plug Reverse Polarity  
(BR)



TITLE	900 MHz ISM Band Straight Antenna - 467 model		Rev. Date	SHEET
UNIT	DWG. NO.	S467XX - 915		
in.(mm)				
SCALE				
none				

# NEARSON