



Chipsmall Limited consists of a professional team with an average of over 10 year of expertise in the distribution of electronic components. Based in Hongkong, we have already established firm and mutual-benefit business relationships with customers from,Europe,America and south Asia,supplying obsolete and hard-to-find components to meet their specific needs.

With the principle of "Quality Parts,Customers Priority,Honest Operation,and Considerate Service",our business mainly focus on the distribution of electronic components. Line cards we deal with include Microchip,ALPS,ROHM,Xilinx,Pulse,ON,Everlight and Freescale. Main products comprise IC,Modules,Potentiometer,IC Socket,Relay,Connector.Our parts cover such applications as commercial,industrial, and automotives areas.

We are looking forward to setting up business relationship with you and hope to provide you with the best service and solution. Let us make a better world for our industry!



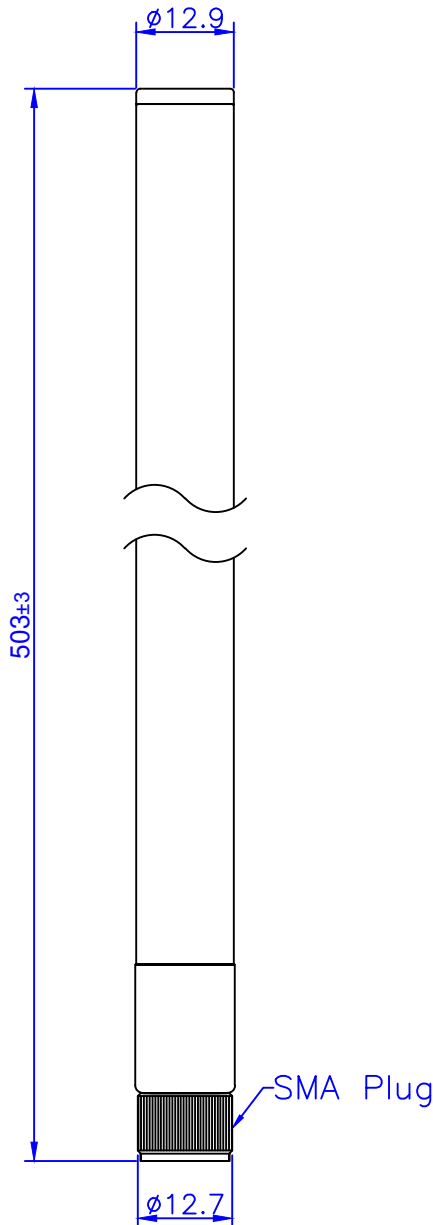
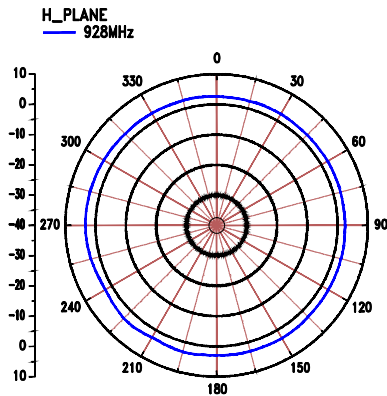
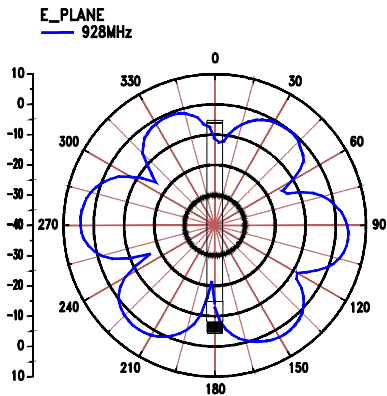
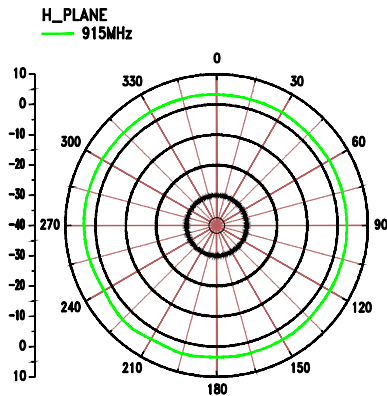
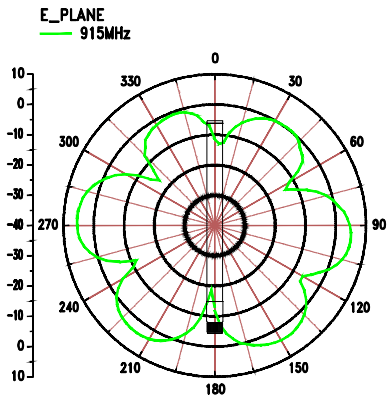
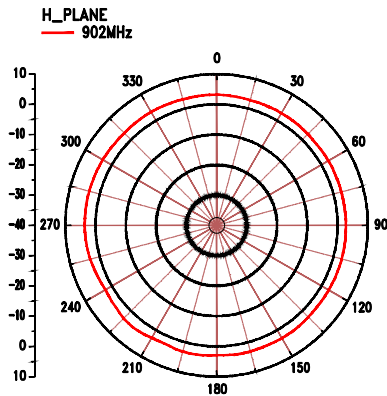
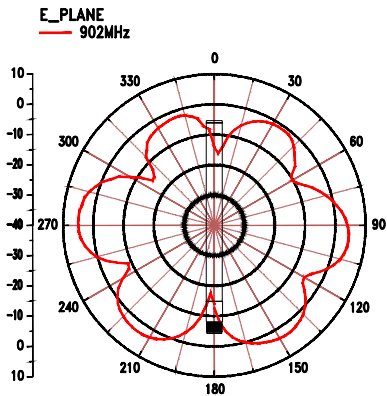
Contact us

Tel: +86-755-8981 8866 Fax: +86-755-8427 6832

Email & Skype: info@chipsmall.com Web: www.chipsmall.com

Address: A1208, Overseas Decoration Building, #122 Zhenhua RD., Futian, Shenzhen, China





Electrical Properties	
Frequency Range	902~928MHz
Impedance	50Ω
V.S.W.R.	≤2.5
Radiation	Omni
Gain	5dBi
Polarization	Vertical
Mechanical Properties	
Antenna Radome	PC
Connector	SMA Plug
Ingress Protection	IP67
Weight	54 g (est)
Operating Temp	-40°C ~ +85°C

TITLE	900 MHz Straight Antenna 469 Model		REV.	SHEET
UNIT	DWG. NO.	S469AM-915	011018	1 of 1
mm	NEARSON			
SCALE				