



Chipsmall Limited consists of a professional team with an average of over 10 year of expertise in the distribution of electronic components. Based in Hongkong, we have already established firm and mutual-benefit business relationships with customers from,Europe,America and south Asia,supplying obsolete and hard-to-find components to meet their specific needs.

With the principle of "Quality Parts,Customers Priority,Honest Operation,and Considerate Service",our business mainly focus on the distribution of electronic components. Line cards we deal with include Microchip,ALPS,ROHM,Xilinx,Pulse,ON,Everlight and Freescale. Main products comprise IC,Modules,Potentiometer,IC Socket,Relay,Connector.Our parts cover such applications as commercial,industrial, and automotives areas.

We are looking forward to setting up business relationship with you and hope to provide you with the best service and solution. Let us make a better world for our industry!



## Contact us

Tel: +86-755-8981 8866 Fax: +86-755-8427 6832

Email & Skype: info@chipsmall.com Web: www.chipsmall.com

Address: A1208, Overseas Decoration Building, #122 Zhenhua RD., Futian, Shenzhen, China





# S4E300A Series

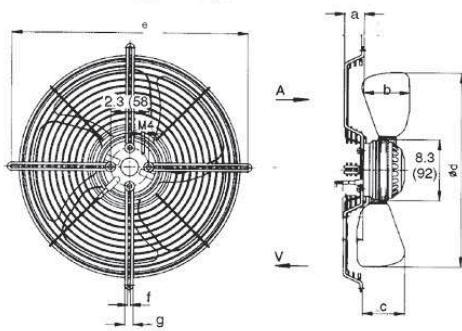
Axial

## Ø 360mm K-Range

- ebm-papst offers a wide range of AC axial fans to optimally fit any application.
- Impellers are spray-molded of high quality plastic, and connected to motor by molding a metal ring into hub.
- Direction of rotation is CCW looking at rotor.
- Maintenance-free ball bearings..
- UL, CSA, VDE approvals on some models, please contact application engineering.

Part Number	Curve	CFM @ 0	VAC	Hertz	Power (W)	dBA	Max. Amb. Temp C	Bearing Type	Features	Capacitor (µF)	Grill Position
A4E250-AE32-51	1	535	230	50/60	50	50	70	Ball	Leads	1.5	Inlet
S4E300-EH26-51	2	859	230	50/60	90	61	55	Ball	Leads	1.5	Inlet
S4E360-EC20-51	3	1556	230	50/60	120	59	40	Ball	Leads	3	Inlet

Direction of air delivery ← „V“  
→ „A“



Series Number	Dimensions - inches (mm)						
	a	b	c	d	e	f	g
S4E300	1.18 (30)	2.80 (71)	2.60 (66)	11.57 (294)	14.17 (360)	0.18 (4.6)	0.49 (12.4)
S4E360	0.87 (22)	3.00 (76)	3.00 (76)	14.17 (360)	15.75 (400)	0.20 (6.6)	0.65 (16.6)

