



Chipsmall Limited consists of a professional team with an average of over 10 year of expertise in the distribution of electronic components. Based in Hongkong, we have already established firm and mutual-benefit business relationships with customers from,Europe,America and south Asia,supplying obsolete and hard-to-find components to meet their specific needs.

With the principle of “Quality Parts,Customers Priority,Honest Operation,and Considerate Service”,our business mainly focus on the distribution of electronic components. Line cards we deal with include Microchip,ALPS,ROHM,Xilinx,Pulse,ON,Everlight and Freescale. Main products comprise IC,Modules,Potentiometer,IC Socket,Relay,Connector.Our parts cover such applications as commercial,industrial, and automotives areas.

We are looking forward to setting up business relationship with you and hope to provide you with the best service and solution. Let us make a better world for our industry!



## Contact us

Tel: +86-755-8981 8866 Fax: +86-755-8427 6832

Email & Skype: info@chipsmall.com Web: www.chipsmall.com

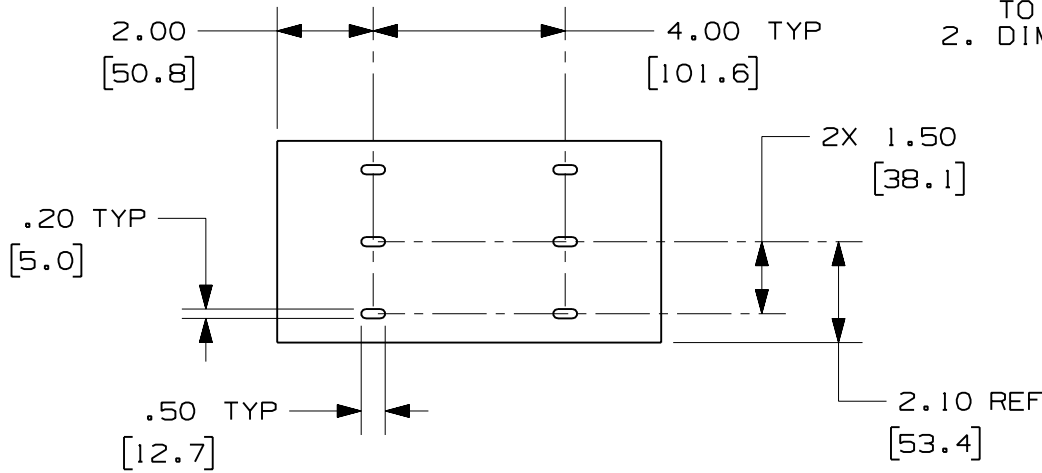
Address: A1208, Overseas Decoration Building, #122 Zhenhua RD., Futian, Shenzhen, China



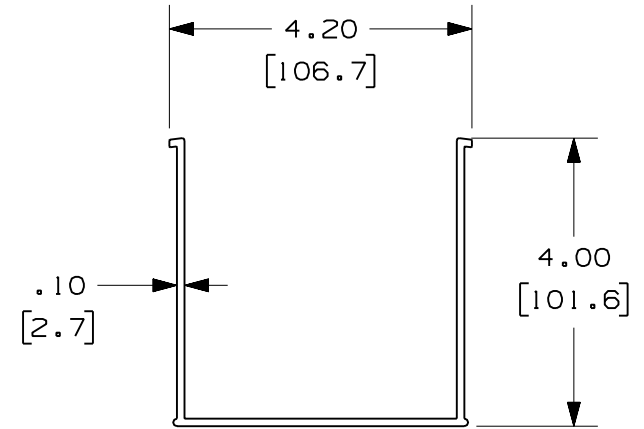
PANDUIT PART NUMBER	LENGTH	WEIGHT	WEIGHT/LENGTH
S4X4**2 (SEE NOTE 1)	78.74 IN ±.18 IN (2000.0mm ±4.6mm)	4.53 LB (2055g)	0.69 LB/FT (10.2g/cm)
S4X4**6 (SEE NOTE 1)	72.00 IN ±.18 IN (1828.8mm ±4.6mm)	4.14 LB (1878g)	0.69 LB/FT (10.2g/cm)
S4X4**2NM (SEE NOTE 1)	78.74 IN ±.18 IN (2000.0mm ±4.6mm)	4.59 LB (2082g)	0.70 LB/FT (10.4g/cm)
S4X4**6NM (SEE NOTE 1)	72.00 IN ±.18 IN (1828.8mm ±4.6mm)	4.20 LB (1905g)	0.70 LB/FT (10.4g/cm)

**NOTES:**

- SEE CURRENT CATALOG FOR ADDITIONAL PART SUFFIXES TO INDICATE COLOR AND/OR PACKAGE QUANTITY.
- DIMENSIONS IN PARENTHESES ARE IN METRIC.



MOUNTING HOLES - BOTTOM VIEW  
(S4X4\*\*2 AND S4X4\*\*6 ONLY)



ENG. REF.: D35245CP\_DC\_S4X4\_00.prt

CAD FILENAME/LAYERS		S4X4.pdf	
<b>PANDUIT</b> CORP TINLEY PARK, ILLINOIS			
FIBER-DUCT 4x4 SOLID WALL CHANNEL (S4X4**2, S4X4**6, S4X4**2NM, S4X4**6NM) CUSTOMER DRAWING			
UNLESS OTHERWISE SPECIFIED, DIMENSIONAL TOLERANCES ARE: (.X) ± (.XXX) ± (.XX) ±.03 (0.8) ANGLES ±		UNLESS OTHERWISE SPECIFIED, ALL DIMENSIONS ARE GIVEN IN INCHES, THIRD ANGLE PROJECTION.	
DRAWN BY	MAT'L:	SCALE	
MSO	PVC	NONE	
DATE		DRAWING NO.	DWG
1-5-07		35245-42	A
CHK'D			SIZE
RN			

REV	DATE	BY	CHK	DESCRIPTION	ECN	R	CUST	SUP	GMBH
R	1-5-07	MSO	RN	RELEASED TO PRODUCTION	35245-42	RN	RN		