



Chipsmall Limited consists of a professional team with an average of over 10 year of expertise in the distribution of electronic components. Based in Hongkong, we have already established firm and mutual-benefit business relationships with customers from,Europe,America and south Asia,supplying obsolete and hard-to-find components to meet their specific needs.

With the principle of "Quality Parts,Customers Priority,Honest Operation,and Considerate Service",our business mainly focus on the distribution of electronic components. Line cards we deal with include Microchip,ALPS,ROHM,Xilinx,Pulse,ON,Everlight and Freescale. Main products comprise IC,Modules,Potentiometer,IC Socket,Relay,Connector.Our parts cover such applications as commercial,industrial, and automotives areas.

We are looking forward to setting up business relationship with you and hope to provide you with the best service and solution. Let us make a better world for our industry!



Contact us

Tel: +86-755-8981 8866 Fax: +86-755-8427 6832

Email & Skype: info@chipsmall.com Web: www.chipsmall.com

Address: A1208, Overseas Decoration Building, #122 Zhenhua RD., Futian, Shenzhen, China



ISOLATION TRANSFORMERS FOR ETHERNET

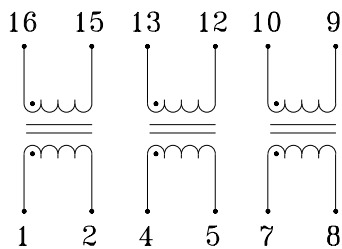
- Bel isolation transformers are designed to be used as equipment isolation protection for the cable-AUI interface in 10Base-2, 10Base-5 and 10Base-T applications
- Multiple OCL (inductance) values available
- Turns ratio 1:1
- 2000 Vrms isolation
- Through-hole and surface mount packaging

ELECTRICALS AT 25°C

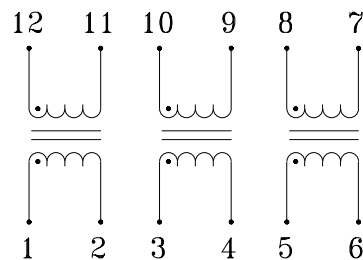
Part No.	Inductance OCL (μH) (+/- 20)	ET Constant (Vμs) Min	Rise Time (ns) Max	Coupling Capacitance C _{vw} (pF) Max	Leakage Inductance L _L (μH) Max	Pri/Sec (ohms) Max	Schematic	Package Style
A553-0756-AB	75	2.1	3.0	10	0.20	0.20/0.20	A	1
A553-1006-AB	100	2.1	3.0	10	0.20	0.20/0.20	A	1
A553-1506-AB	150	3.0	3.5	12	0.25	0.30/0.30	A	1
S553-0506-AE	50	1.0	1.8	5	0.10	0.15/0.15	A	2
S553-0745-01	350	1.5	3.5	16	0.30	0.35/0.35	A	2
S553-0756-AE	75	1.4	1.8	7	0.10	0.17/0.17	A	2
S553-1006-AE	100	1.5	1.8	8	0.10	0.20/0.20	A	2
S553-1506-AE	150	1.8	1.8	9	0.10	0.20/0.20	A	2
S553-5999-67	75	1.4	1.8	7.0	0.10	0.17/0.17	A	3
S553-5999-68	150	1.8	1.8	9.0	0.10	0.20/0.20	A	3
S553-5999-69	100	1.5	1.8	8.0	0.10	0.20/0.20	A	3
S553-5999-72	100	1.5	1.8	8.0	0.10	0.20/0.20	B	4
S553-5999-73	150	1.8	1.8	9.0	0.10	0.20/0.20	B	4
S553-5999-74	75	1.4	1.8	7.0	0.10	0.17/0.17	B	4

SCHEMATICS

A



B



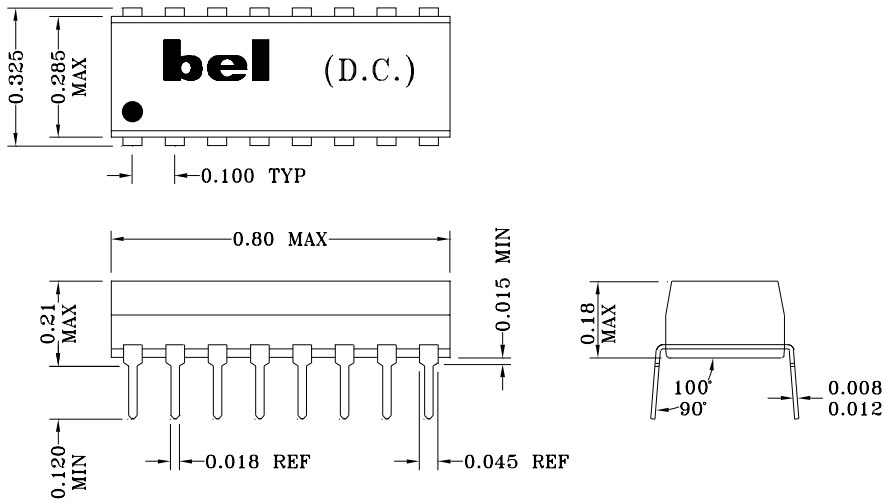
Specifications subject to change without notice.

ISOLATION TRANSFORMERS FOR ETHERNET

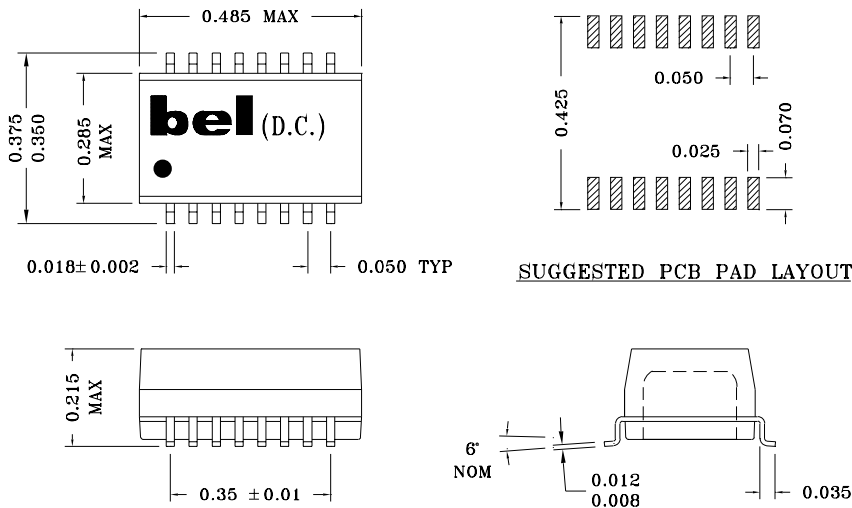
960035A

MECHANICALS

1



2

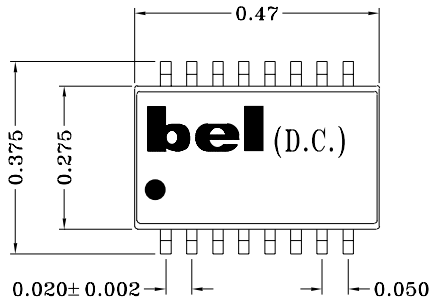


Specifications subject to change without notice.

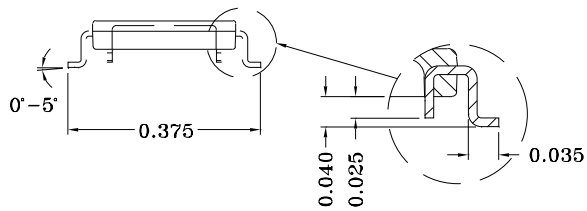
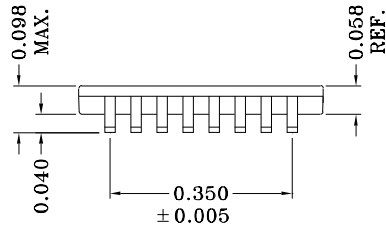
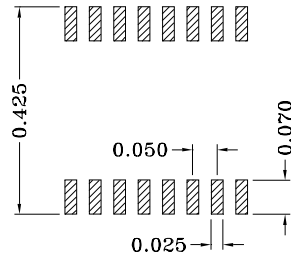
**ISOLATION TRANSFORMERS
FOR ETHERNET**

MECHANICALS (CONT'D)

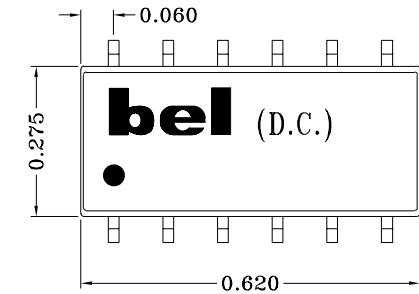
3



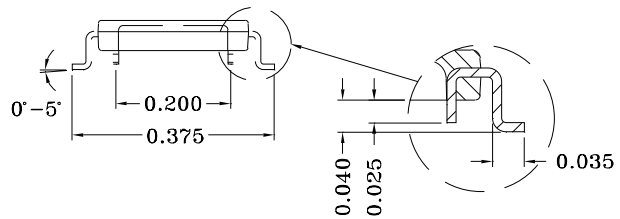
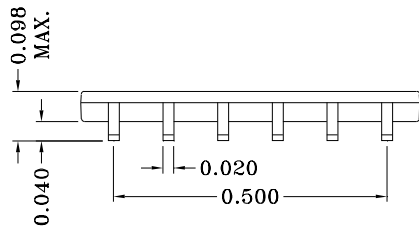
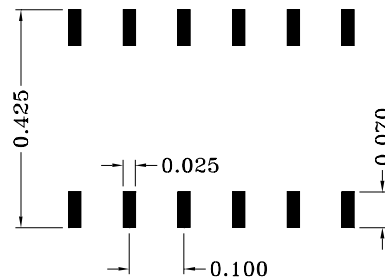
SUGGESTED PCB PAD LAYOUT



4



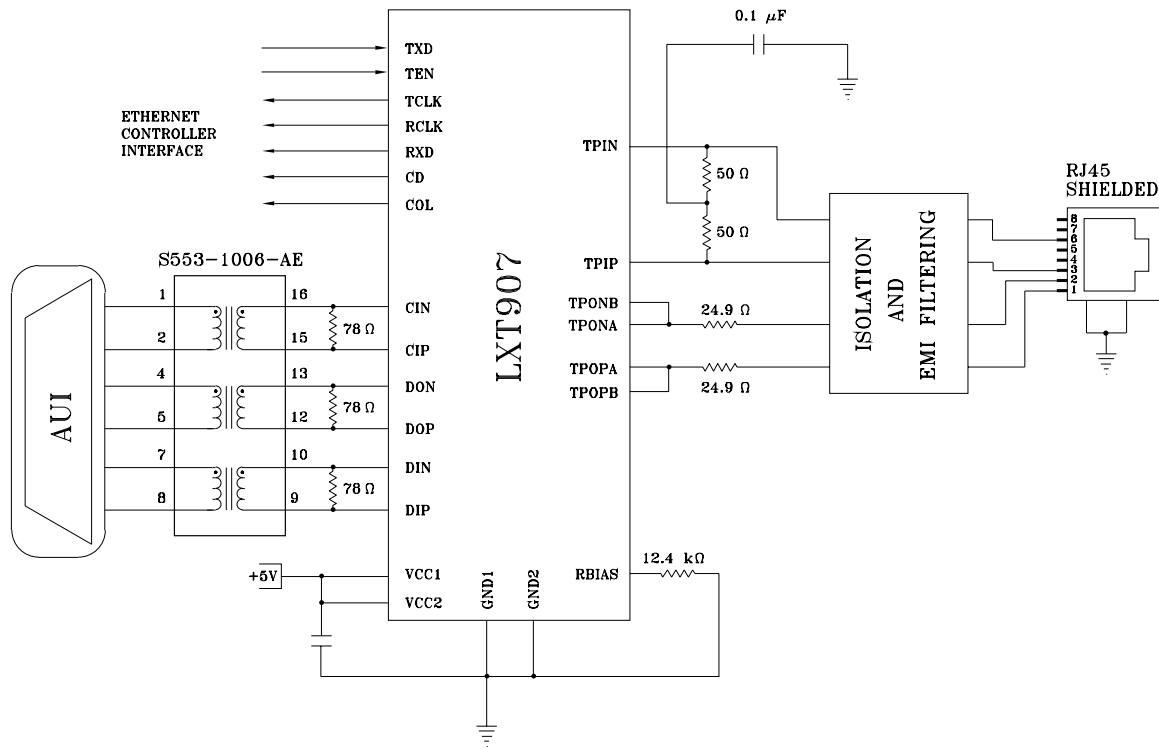
SUGGESTED PCB PAD LAYOUT



Specifications subject to change without notice.

ISOLATION TRANSFORMERS FOR ETHERNET

APPLICATION CIRCUIT



APPLICATION NOTES

- Bel transformers for Ethernet AUI applications provide the necessary isolation and inductance as required in the IEEE 802.3 standards for AUI (Attachment Unit Interface) ports.

Corporate Office

Bel Fuse Inc.
198 Van Vorst Street, Jersey City, NJ 07302-4496
Tel: 201-432-0463
Fax: 201-432-9542
E-Mail: BelFuse@belfuse.com
Internet: <http://www.belfuse.com>

Far East Office

Bel Fuse Ltd.
8F/8 Luk Hop Street
San Po Kong
Kowloon, Hong Kong
Tel: 852-2328-5515
Fax: 852-2352-3706

European Office

Bel Fuse Europe Ltd.
Preston Technology Management Centre
Marsh Lane, Preston PR1 8UD
Lancashire, U.K.
Tel: 44-1772-556601
Fax: 44-1772-888366