



Chipsmall Limited consists of a professional team with an average of over 10 year of expertise in the distribution of electronic components. Based in Hongkong, we have already established firm and mutual-benefit business relationships with customers from,Europe,America and south Asia,supplying obsolete and hard-to-find components to meet their specific needs.

With the principle of “Quality Parts,Customers Priority,Honest Operation,and Considerate Service”,our business mainly focus on the distribution of electronic components. Line cards we deal with include Microchip,ALPS,ROHM,Xilinx,Pulse,ON,Everlight and Freescale. Main products comprise IC,Modules,Potentiometer,IC Socket,Relay,Connector.Our parts cover such applications as commercial,industrial, and automotives areas.

We are looking forward to setting up business relationship with you and hope to provide you with the best service and solution. Let us make a better world for our industry!



## Contact us

Tel: +86-755-8981 8866 Fax: +86-755-8427 6832

Email & Skype: info@chipsmall.com Web: www.chipsmall.com

Address: A1208, Overseas Decoration Building, #122 Zhenhua RD., Futian, Shenzhen, China



# 10BASE-T LAN MAGNETICS

## Quad Transformer Modules



LM00500

- Transformer turns ratio RX 1 : 1 and TX 1CT : 1CT
- Filterless quad, four-port designs with common footprint and pinouts
- Optimized for use with stackable RJ-45 connectors
- Designs utilize standard 40 pin SMD packaging
- Low profile, surface mount packaging rated to 225° C peak IR reflow temperature
- Quad design offers best space, performance and cost efficiency
- Operating temperature 0° to 70° C
- Minimum interwinding breakdown voltage of 1500 Vrms

### ELECTRICAL SPECIFICATIONS AT 25° C

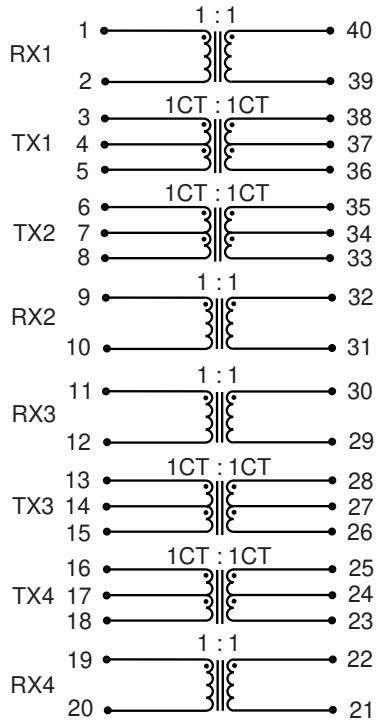
Part Number	Insertion Loss dB max	Return Loss dB min	Common to Common Mode Rejection dB min				Crosstalk dB min	
	1MHz to 10MHz	5MHz to 10MHz	5MHz to 10MHz	50MHz	100MHz	200MHz	1MHz to 10MHz	5MHz to 10MHz
<b>Transformers Only</b>								
S553-5999-18	-1.0	-20	-50	-35	-25	-20	---	-50
S553-5999-26	-1.0	-18	---	---	---	---	-40	---
S553-5999-53	-1.0	-18	-40	---	-30	---	-40	---
<b>Transformers and Common Mode Chokes</b>								
S553-5999-24	-1.0	-20	-50	-35	-25	-20	---	-50
S553-5999-32	-1.0	-18	-40	---	-30	---	-40	---
S553-5999-39	-1.0	-20	-50	-35	-25	-20	---	-50
S553-5999-76	-1.0	-18	-40	---	-30	---	-40	---

©2001 Bel Fuse Inc. Specifications subject to change without notice. 09.01

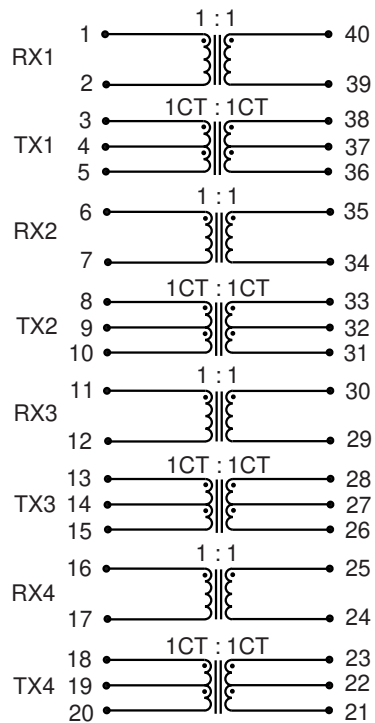
## 10BASE-T LAN MAGNETICS Quad Transformer Modules

### SCHEMATICS

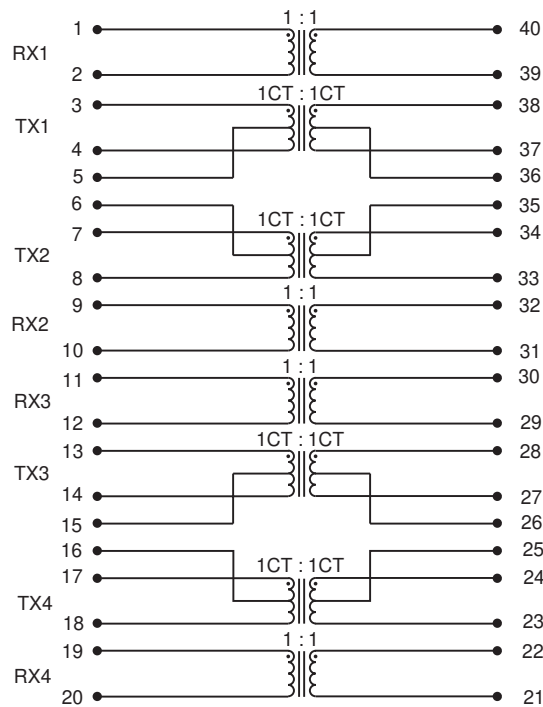
**S553-5999-18**



**S553-5999-26**



**S553-5999-53**



# 10BASE-T LAN MAGNETICS

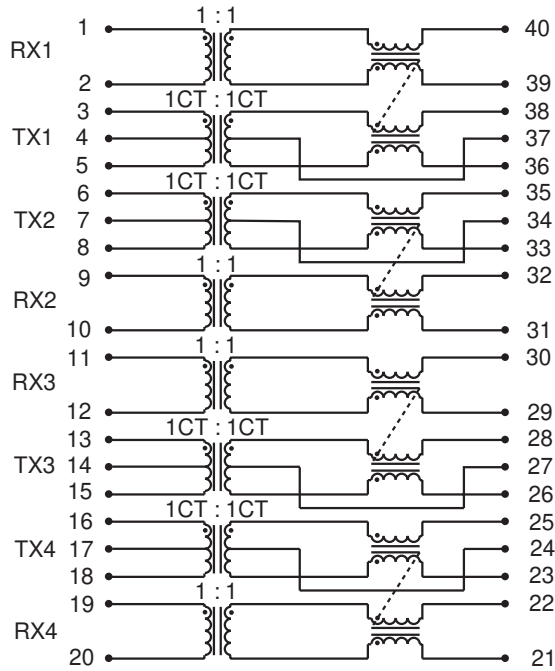
## Quad Transformer Modules



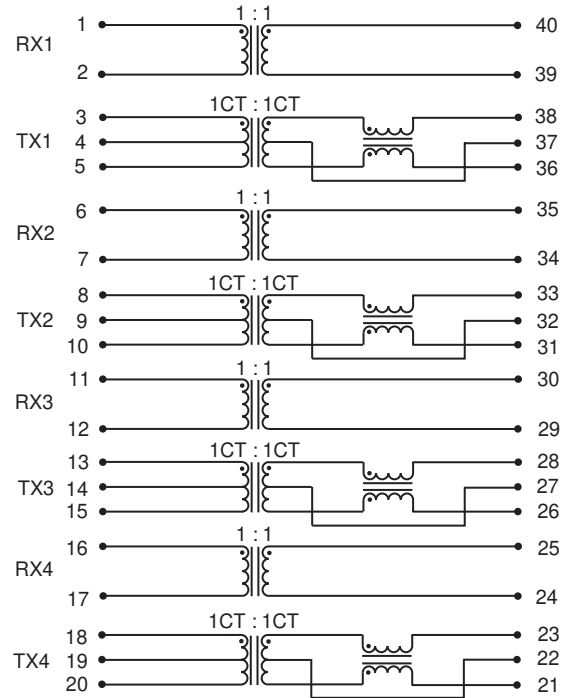
LM00500

### SCHEMATICS

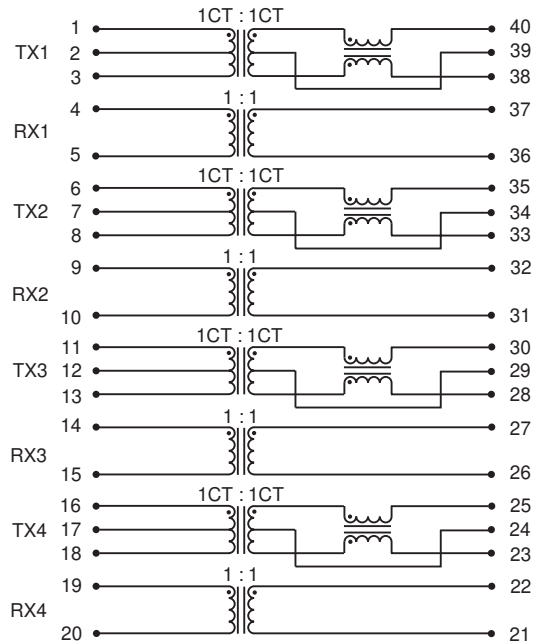
**S553-5999-24**  
**S553-5999-39**



**S553-5999-32**



**S553-5999-76**

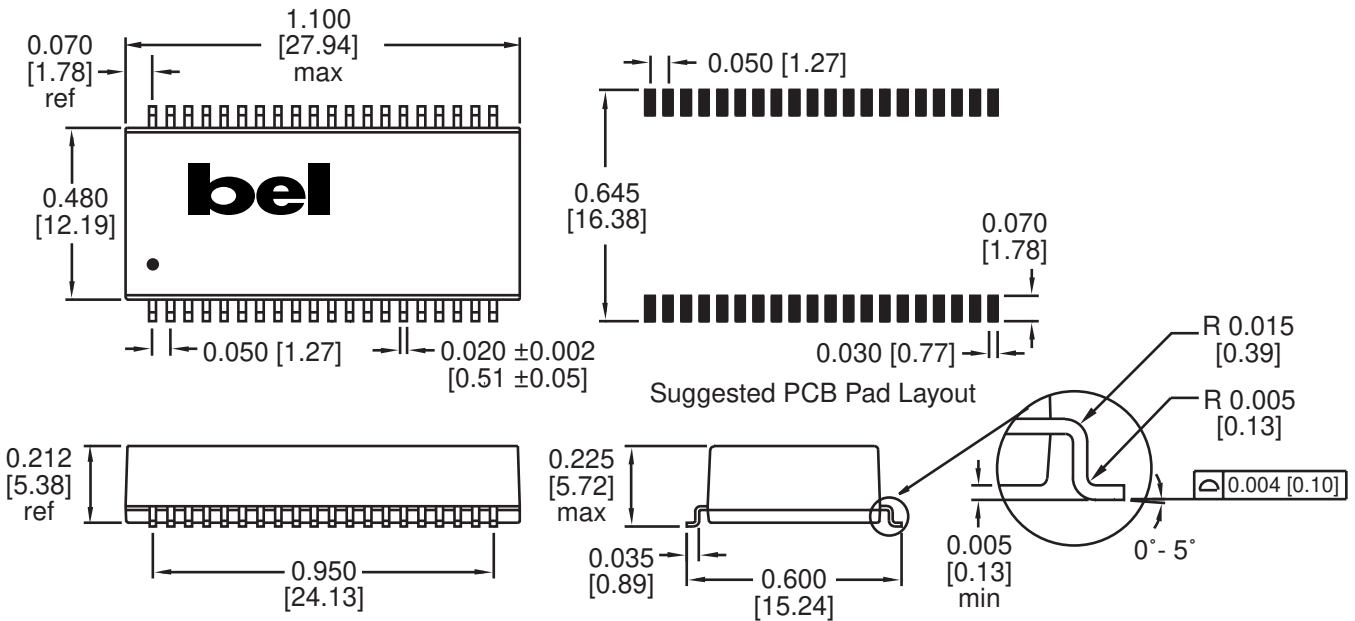


©2001 Bel Fuse Inc. Specifications subject to change without notice. 09.01

## 10BASE-T LAN MAGNETICS Quad Transformer Modules

### MECHANICAL

- S553-5999-18
- S553-5999-24
- S553-5999-26
- S553-5999-32
- S553-5999-39
- S553-5999-53
- S553-5999-76



Dimensions are in inches [millimeters].  
Standard dimension tolerance is ±0.005 [0.13] unless otherwise noted.

#### CORPORATE

**Bel Fuse Inc.**  
206 Van Vorst Street  
Jersey City, NJ 07302  
Tel 201-432-0463  
Fax 201-432-9542  
www.belfuse.com

#### FAR EAST

**Bel Fuse Ltd.**  
8F / 8 Luk Hop Street  
San Po Kong  
Kowloon, Hong Kong  
Tel 852-2328-5515  
Fax 852-2352-3706  
www.belfuse.com

#### EUROPE

**Bel Fuse Europe Ltd.**  
Preston Technology Management Centre  
Marsh Lane, Suite G7, Preston  
Lancashire, PR1 8UD, U.K.  
Tel 44-1772-556601  
Fax 44-1772-888366  
www.belfuse.com