



Chipsmall Limited consists of a professional team with an average of over 10 year of expertise in the distribution of electronic components. Based in Hongkong, we have already established firm and mutual-benefit business relationships with customers from,Europe,America and south Asia,supplying obsolete and hard-to-find components to meet their specific needs.

With the principle of "Quality Parts,Customers Priority,Honest Operation,and Considerate Service",our business mainly focus on the distribution of electronic components. Line cards we deal with include Microchip,ALPS,ROHM,Xilinx,Pulse,ON,Everlight and Freescale. Main products comprise IC,Modules,Potentiometer,IC Socket,Relay,Connector.Our parts cover such applications as commercial,industrial, and automotives areas.

We are looking forward to setting up business relationship with you and hope to provide you with the best service and solution. Let us make a better world for our industry!



## Contact us

Tel: +86-755-8981 8866 Fax: +86-755-8427 6832

Email & Skype: info@chipsmall.com Web: www.chipsmall.com

Address: A1208, Overseas Decoration Building, #122 Zhenhua RD., Futian, Shenzhen, China



# COMMON MODE CHOKES

For LAN and Telecom Applications

CMC00100

- Designed to reduce EMI and common mode noise
- Common mode attenuation from 100kHz to 500MHz
- Operating temperature 0° to 70° C
- Multiple signal lines and packaging options available
- Low profile, SMT packaging rated to withstand 225° C peak IR reflow temperature
- Minimum interwinding breakdown voltage of 1500 Vrms

## ELECTRICAL SPECIFICATIONS AT 25° C

Part Number	Number of Lines (winding x core)	OCL μH min	Common Mode Attenuation dB typ								DCR Ω max
			300kHz	1MHz	10MHz	30MHz	50MHz	100MHz	300MHz	500MHz	
<b>Surface Mount</b>											
S555-5999-41	4 (4 x 1)	20	-16	-25	-37	-42	-41	-42	-34	-31	0.50
S555-5999-40	4 (4 x 1)	24	-10	-22	-30	-29	-27	-23	-10	-2	0.35
S555-5999-15	4 (2 x 2)	38	-10	-17	-29	-35	-36	-36	-23	-15	0.30
S555-0139-01	4 (2 x 2)	80	-11	-21	-30	-32	-33	-32	-20	-9	0.95
S555-5999-02	4 (2 x 2)	140	-17	-27	-40	-45	-43	-38	-22	-11	0.80
S555-6400-08	4 (4 x 1)	4700	-40	-50	-38	-28	-22	-11	-4	---	1.00
S555-2940-00	6 (2 x 3)	80	-12	-19	-29	-30	-29	-28	-20	-12	0.20
S555-1084-00	8 (2 x 4)	24	-5	-12	-27	-32	-34	-32	-20	-11	0.30
S555-5999-39	8 (2 x 4)	350	-21	-28	-35	-29	-25	-19	-10	-4	0.20
S553-5999-D6	16 (2 x 8)	85	-17	-27	-37	-38	-36	-30	-12	-2	0.30
<b>Through Hole</b>											
0553-3965-08	2 (2 x 1)	140	-16	-26	-38	-43	-45	-42	-24	-16	0.80
0555-3001-08	4 (2 x 2)	120	-16	-26	-39	-45	-44	-38	-20	-15	0.80
0555-6400-06	4 (4 x 1)	4700	-44	-50	-37	-27	-21	-8	---	---	1.00

©2003 Bel Fuse Inc. Specifications subject to change without notice. 03.03

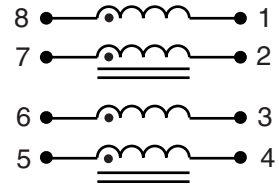
## COMMON MODE CHOKES For LAN and Telecom Applications

### SCHEMATICS

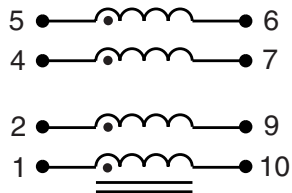
0553-3965-08



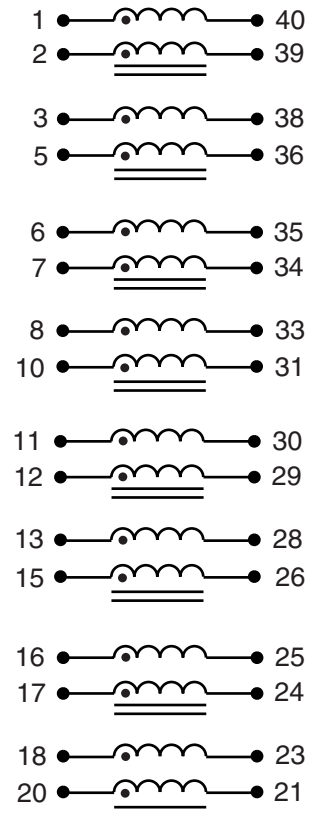
0555-3001-08



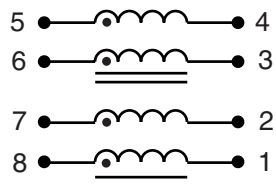
0555-6400-06



S553-5999-D6



S555-0139-01



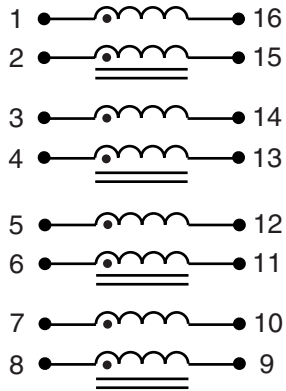
# COMMON MODE CHOKES

For LAN and Telecom Applications

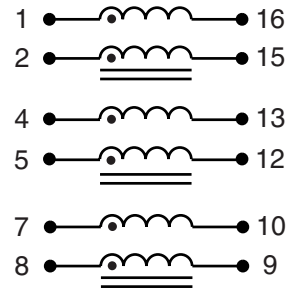
CMC00100

## SCHEMATICS

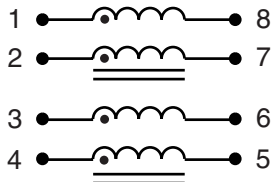
S555-1084-00  
S555-5999-39



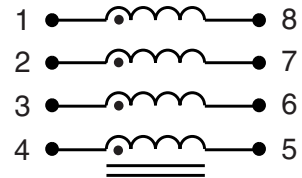
S555-2940-00



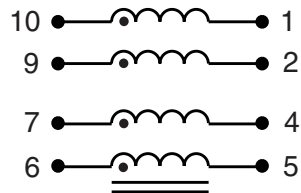
S555-5999-02  
S555-5999-15



S555-5999-40  
S555-5999-41



S555-6400-08

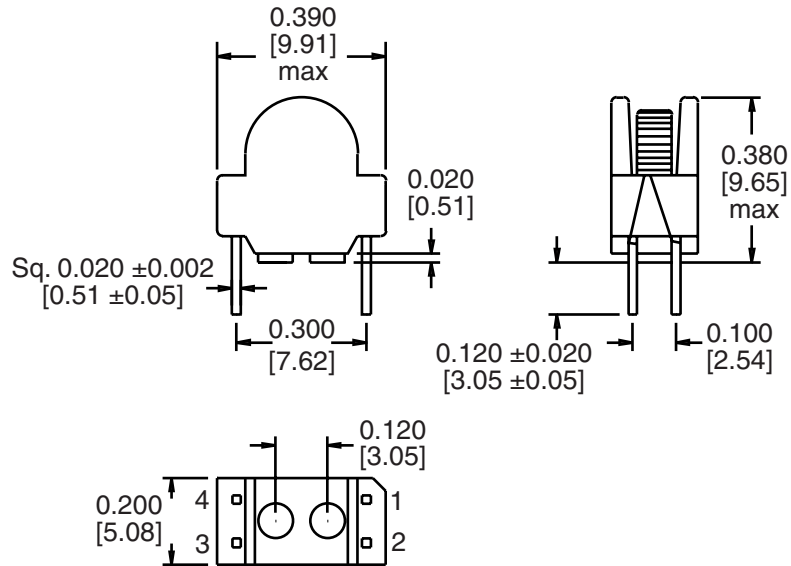


## COMMON MODE CHOKES For LAN and Telecom Applications

CMC00100

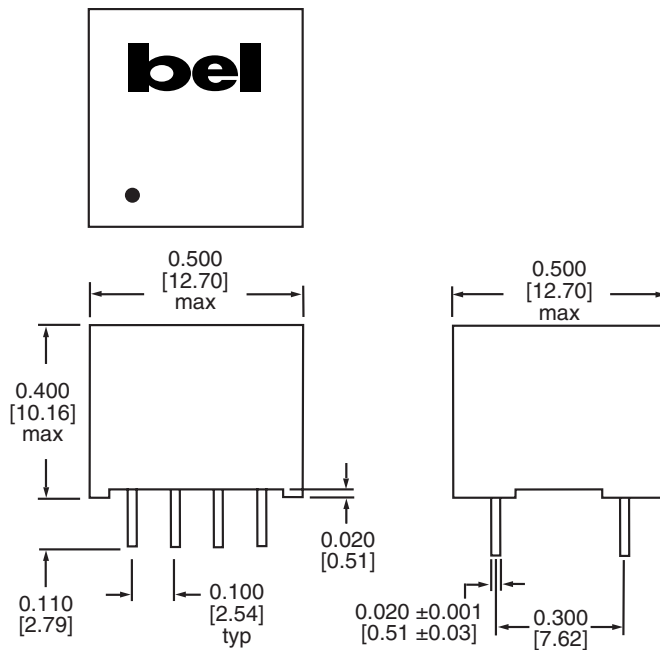
### MECHANICALS

0553-3965-08



Dimensions are in inches [millimeters].  
Standard dimension tolerance is ±0.005 [0.13] unless otherwise noted.

0555-3001-08



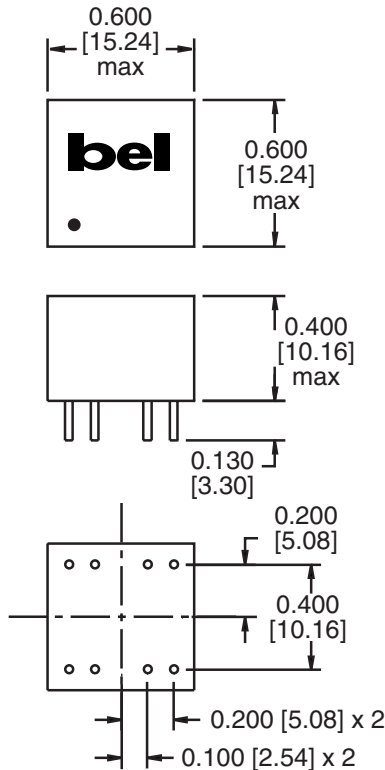
Dimensions are in inches [millimeters].  
Standard dimension tolerance is ±0.005 [0.13] unless otherwise noted.

# COMMON MODE CHOKES

For LAN and Telecom Applications

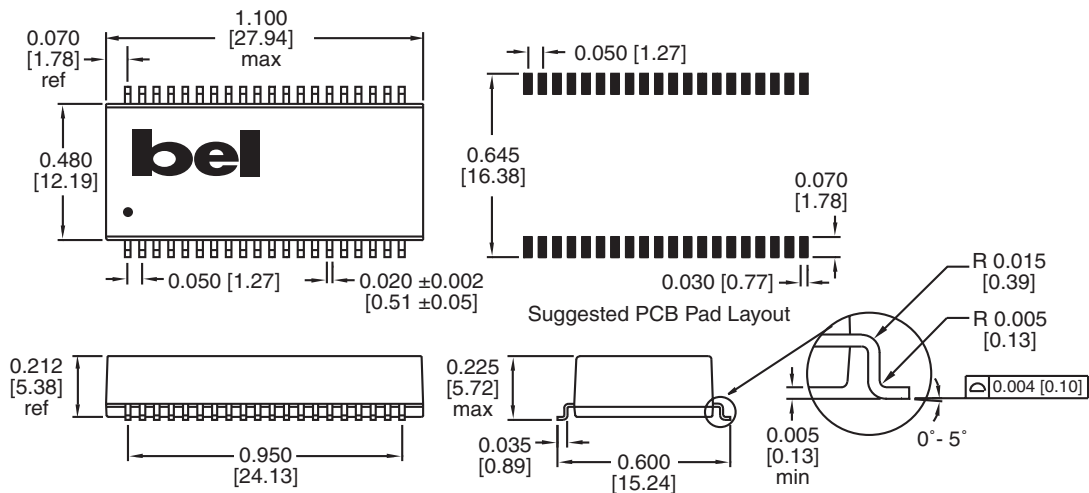
## MECHANICALS

0555-6400-06



Dimensions are in inches [millimeters].  
Standard dimension tolerance is  $\pm 0.005$  [0.13] unless otherwise noted.

S553-5999-D6

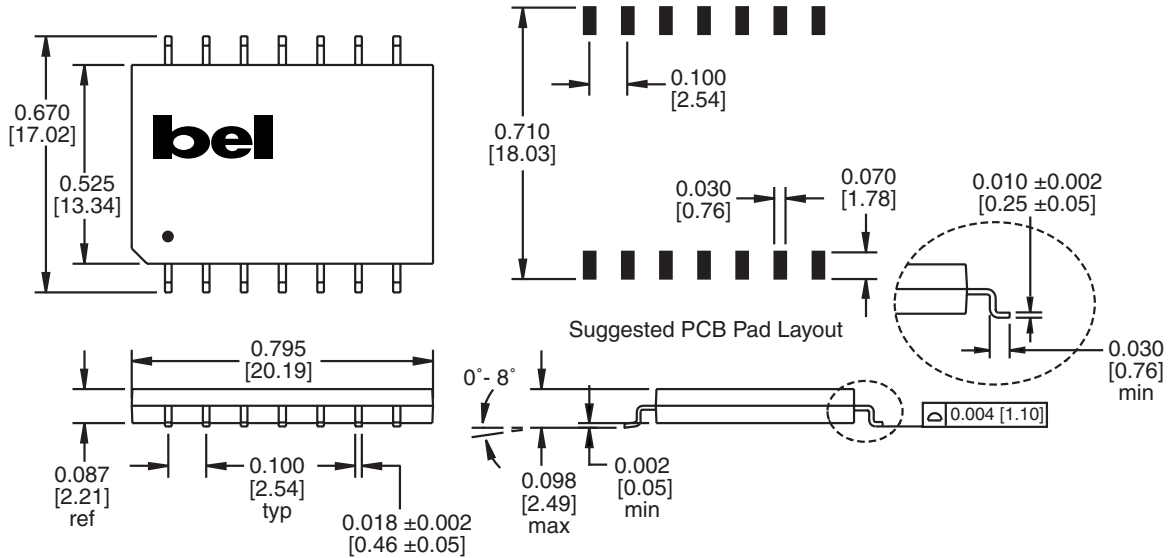


Dimensions are in inches [millimeters].  
Standard dimension tolerance is  $\pm 0.005$  [0.13] unless otherwise noted.

CMC00100

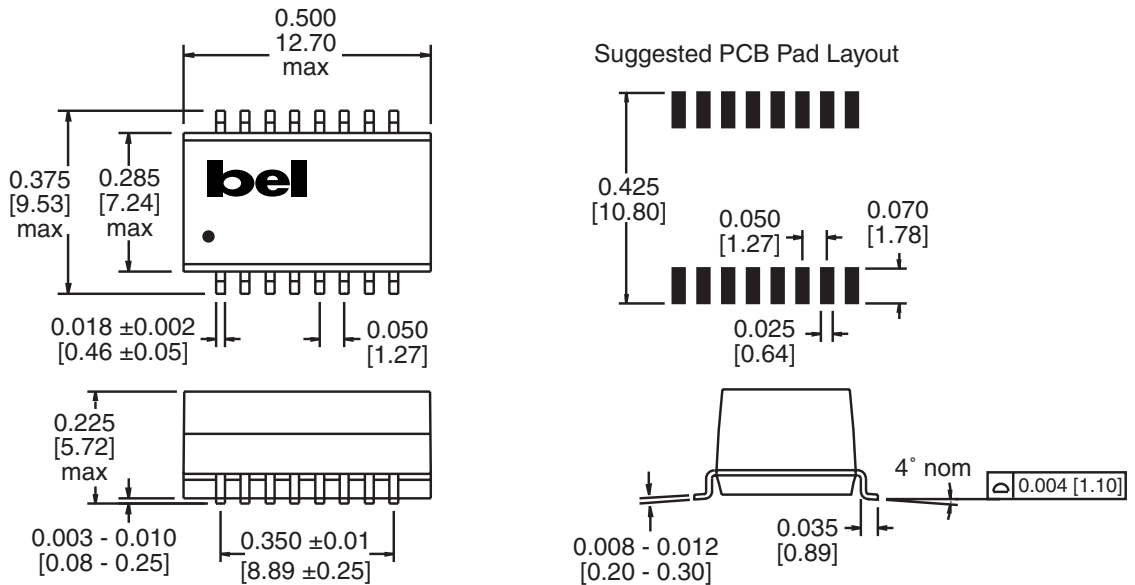
### MECHANICALS

S555-0139-01



Dimensions are in inches [millimeters].  
Standard dimension tolerance is  $\pm 0.005$  [0.13] unless otherwise noted.

S555-1084-00  
S555-2940-00  
S555-5999-39



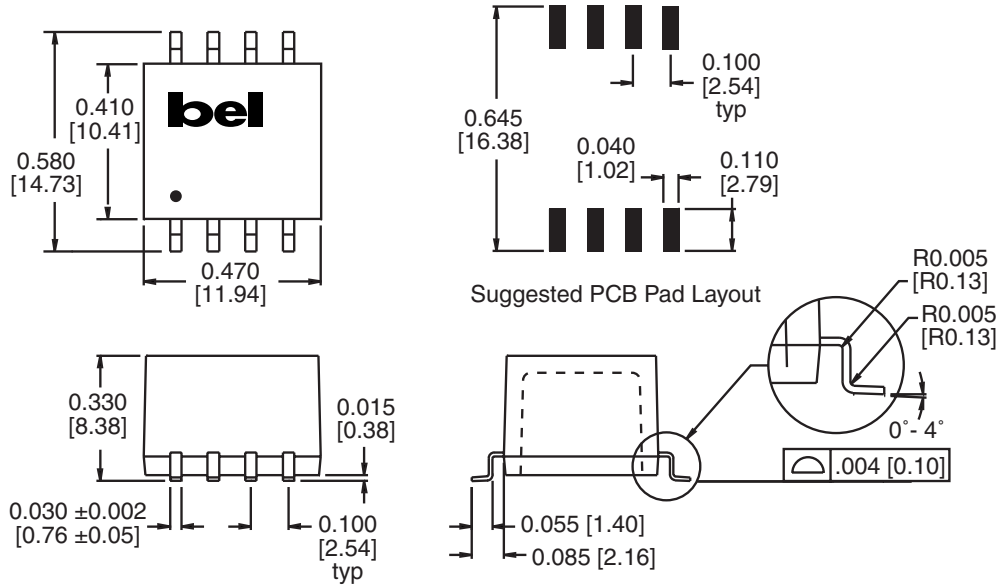
Dimensions are in inches [millimeters].  
Standard dimension tolerance is  $\pm 0.005$  [0.13] unless otherwise noted.

# COMMON MODE CHOKES

For LAN and Telecom Applications

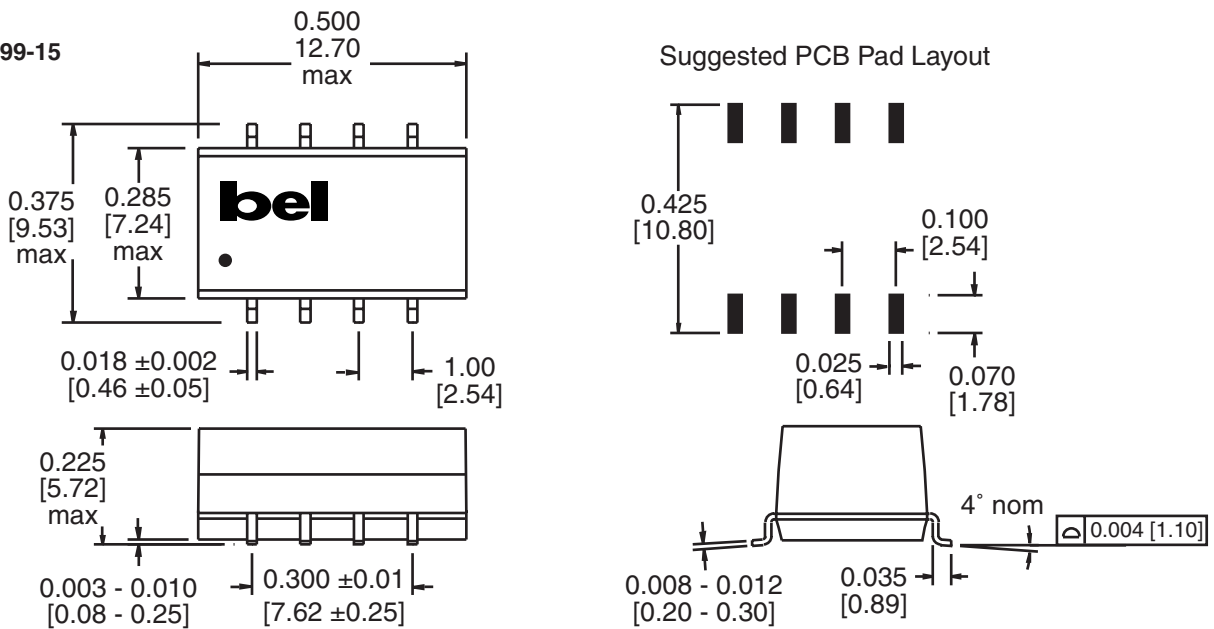
## MECHANICALS

S555-5999-02



Dimensions are in inches [millimeters].  
Standard dimension tolerance is ±0.005 [0.13] unless otherwise noted.

S555-5999-15



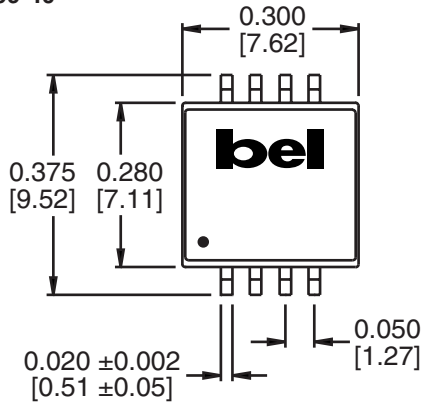
Dimensions are in inches [millimeters].  
Standard dimension tolerance is ±0.005 [0.13] unless otherwise noted.



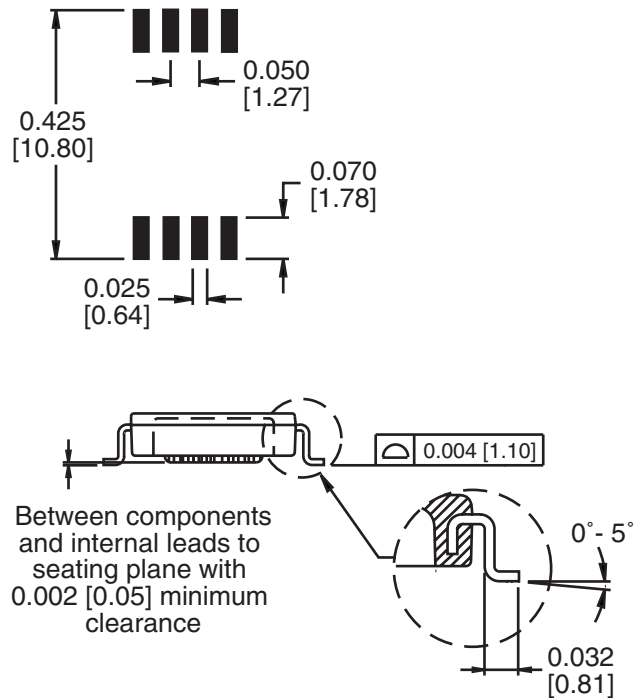
CMC00100

### MECHANICALS

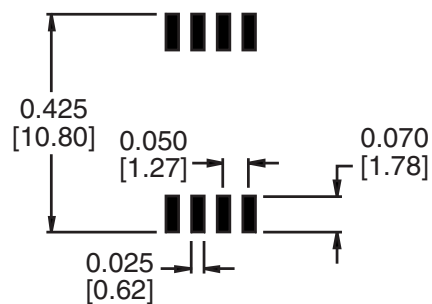
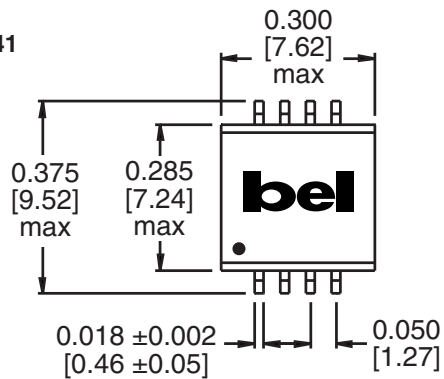
S555-5999-40



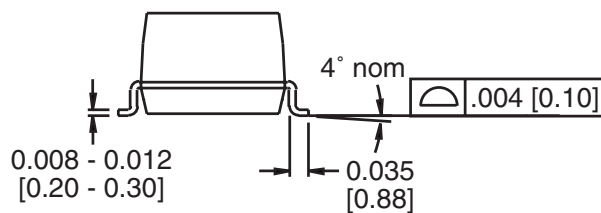
Suggested PCB Pad Layout



S555-5999-41



Suggested PCB Pad Layout

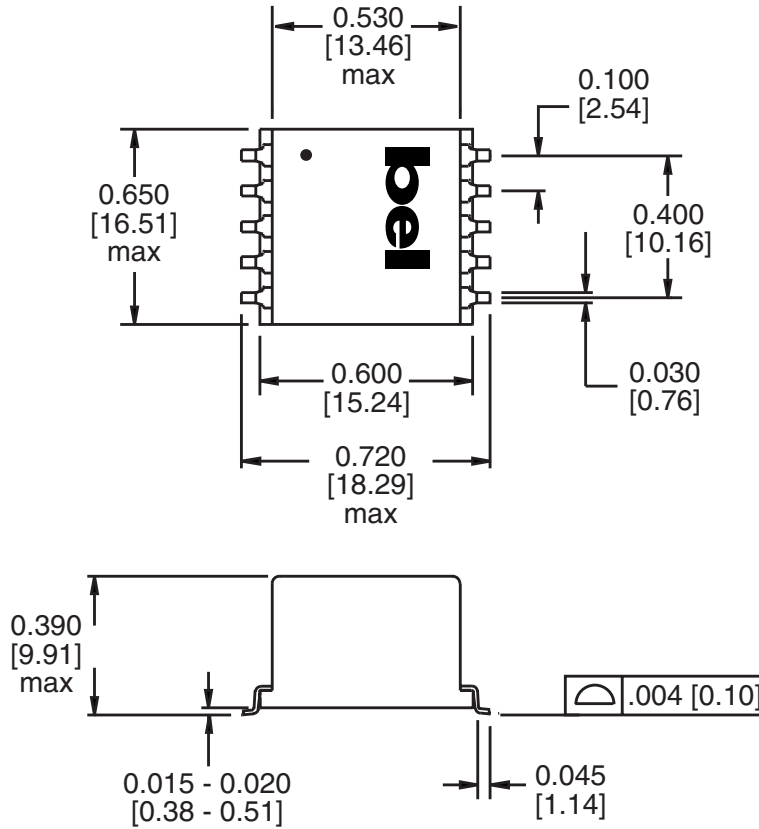


Dimensions are in inches [millimeters].  
 Standard dimension tolerance is ±0.005 [0.13] unless otherwise noted.

**COMMON MODE CHOKES**  
For LAN and Telecom Applications

**MECHANICALS**

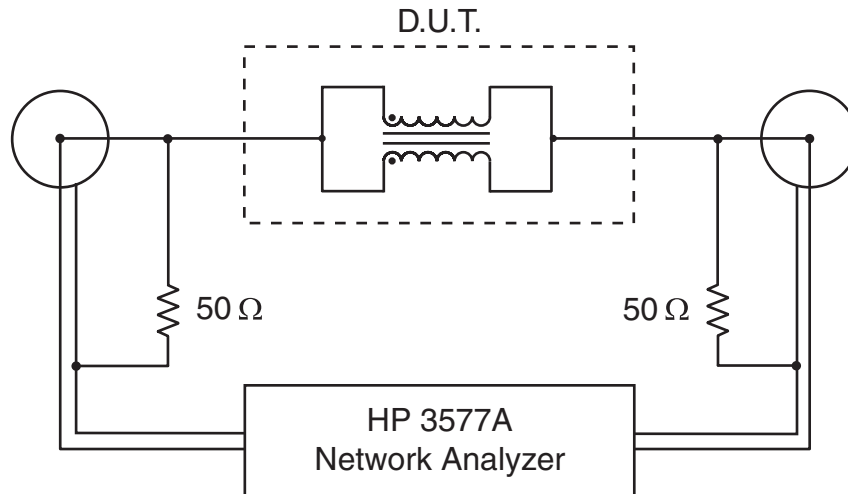
S555-6400-08



Dimensions are in inches [millimeters].  
Standard dimension tolerance is  $\pm 0.005$  [0.13] unless otherwise noted.

## COMMON MODE CHOKES For LAN and Telecom Applications

### COMMON MODE TEST CIRCUIT



#### CORPORATE

**Bel Fuse Inc.**  
206 Van Vorst Street  
Jersey City, NJ 07302  
Tel 201-432-0463  
Fax 201-432-9542  
www.belfuse.com

CMC-10

#### FAR EAST

**Bel Fuse Ltd.**  
8F / 8 Luk Hop Street  
San Po Kong  
Kowloon, Hong Kong  
Tel 852-2328-5515  
Fax 852-2352-3706  
www.belfuse.com

#### EUROPE

**Bel Fuse Europe Ltd.**  
Preston Technology Management Centre  
Marsh Lane, Suite G7, Preston  
Lancashire, PR1 8UD, U.K.  
Tel 44-1772-556601  
Fax 44-1772-888366  
www.belfuse.com