



Chipsmall Limited consists of a professional team with an average of over 10 year of expertise in the distribution of electronic components. Based in Hongkong, we have already established firm and mutual-benefit business relationships with customers from,Europe,America and south Asia,supplying obsolete and hard-to-find components to meet their specific needs.

With the principle of “Quality Parts,Customers Priority,Honest Operation,and Considerate Service”,our business mainly focus on the distribution of electronic components. Line cards we deal with include Microchip,ALPS,ROHM,Xilinx,Pulse,ON,Everlight and Freescale. Main products comprise IC,Modules,Potentiometer,IC Socket,Relay,Connector.Our parts cover such applications as commercial,industrial, and automotives areas.

We are looking forward to setting up business relationship with you and hope to provide you with the best service and solution. Let us make a better world for our industry!



Contact us

Tel: +86-755-8981 8866 Fax: +86-755-8427 6832

Email & Skype: info@chipsmall.com Web: www.chipsmall.com

Address: A1208, Overseas Decoration Building, #122 Zhenhua RD., Futian, Shenzhen, China



10BASE-T LAN MAGNETICS

Dual Isolation Transformer

LM05510

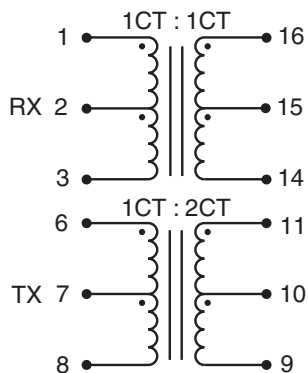
- Transformer turns ratio RX 1CT : 1CT and TX 1CT : 2CT
- Utilizes standard surface mount packaging
- Meets all IEEE 802.3 performance requirements
- Low profile, surface mount packaging rated to 225° C peak IR reflow temperature
- Operating temperature -40° to +85° C
- Minimum interwinding breakdown voltage of 1500 Vrms

ELECTRICAL SPECIFICATIONS AT 25° C

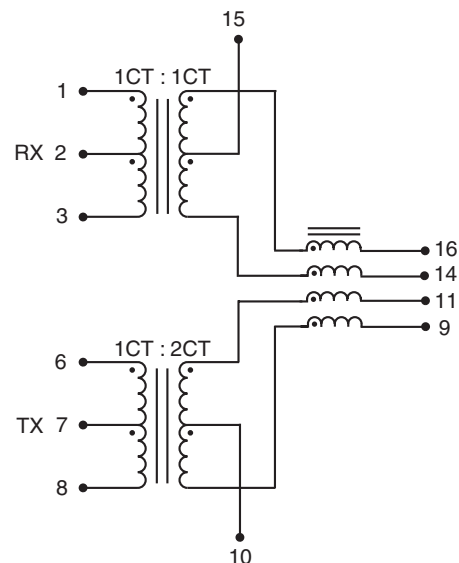
Part Number	OCL μH min		Leakage Inductance μH max		Interwinding Capacitance pf max		DCR Ω max			
	RX	TX	RX	TX	1 - 16	6 - 11	TXIN	TXO	RXIN	RXO
S553-5999-F2	110	28	0.3	0.2	10	10	0.75	0.75	0.75	0.75
S553-5999-F3	110	28	0.3	0.2	10	10	0.75	0.75	0.75	0.75

SCHEMATIC

S553-5999-F2



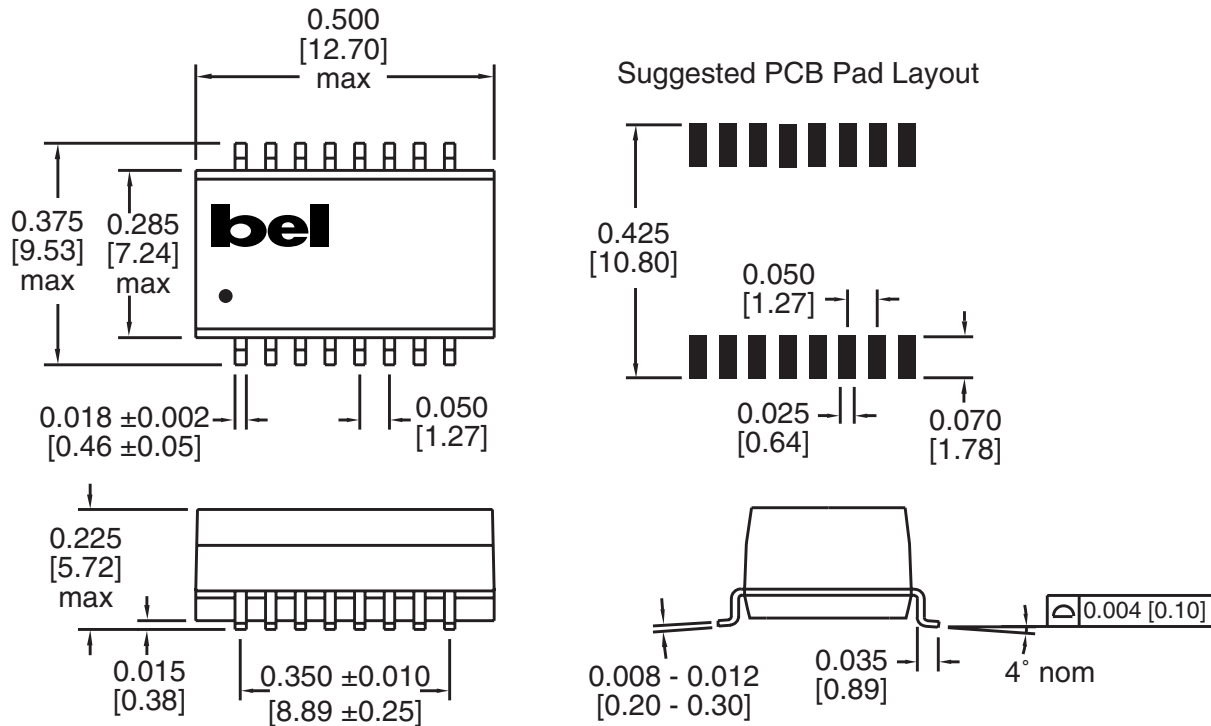
S553-5999-F3



LM05510

MECHANICAL

S553-5999-F2
S553-5999-F3



Dimensions are in inches [millimeters].
Standard dimension tolerance is ±0.005 [0.13] unless otherwise noted.

©2005 Bel Fuse Inc. Specifications subject to change without notice. 03.05

CORPORATE

Bel Fuse Inc.
206 Van Vorst Street
Jersey City, NJ 07302
Tel 201-432-0463
Fax 201-432-9542
www.belfuse.com

FAR EAST

Bel Fuse Ltd.
8F / 8 Luk Hop Street
San Po Kong
Kowloon, Hong Kong
Tel 852-2328-5515
Fax 852-2352-3706
www.belfuse.com

EUROPE

Bel Fuse Europe Ltd.
Preston Technology Management Centre
Marsh Lane, Suite G7, Preston
Lancashire, PR1 8UD, U.K.
Tel 44-1772-556601
Fax 44-1772-888366
www.belfuse.com