



Chipsmall Limited consists of a professional team with an average of over 10 year of expertise in the distribution of electronic components. Based in Hongkong, we have already established firm and mutual-benefit business relationships with customers from,Europe,America and south Asia,supplying obsolete and hard-to-find components to meet their specific needs.

With the principle of "Quality Parts,Customers Priority,Honest Operation,and Considerate Service",our business mainly focus on the distribution of electronic components. Line cards we deal with include Microchip,ALPS,ROHM,Xilinx,Pulse,ON,Everlight and Freescale. Main products comprise IC,Modules,Potentiometer,IC Socket,Relay,Connector.Our parts cover such applications as commercial,industrial, and automotives areas.

We are looking forward to setting up business relationship with you and hope to provide you with the best service and solution. Let us make a better world for our industry!



Contact us

Tel: +86-755-8981 8866 Fax: +86-755-8427 6832

Email & Skype: info@chipsmall.com Web: www.chipsmall.com

Address: A1208, Overseas Decoration Building, #122 Zhenhua RD., Futian, Shenzhen, China



HIGH FREQUENCY MAGNETICS

T1/E1 Octal Transformer Modules



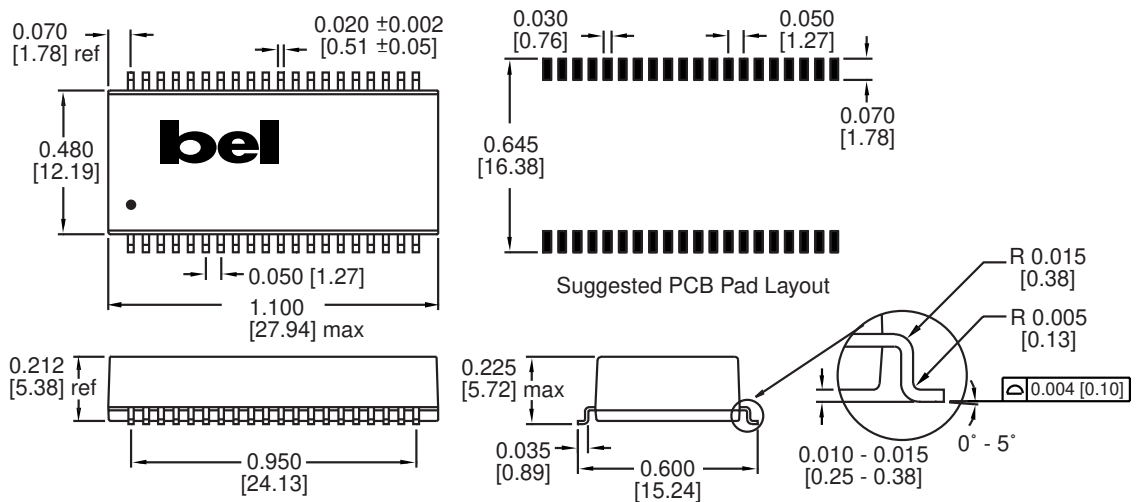
TM00132

ELECTRICAL SPECIFICATIONS at 25° C

Part Number	Turns Ratio ± 3%		Primary Inductance mH min	Leakage Inductance μH max	Interwinding Capacitance pF max	DCR Ω max			
	TXIN : TXO	RXIN : RXO	RXIN/TXIN	RXIN/TXIN	RXIN/TXIN	TXIN	TXO	RXIN	RXO
S553-5692-08	1 : 1.36	1 : 1.36CT	1.25	0.8	35	1.9	2.8	1.9	2.8
S553-5692-09	1 : 1.14	1 : 1.14CT	1.25	0.8	35	2.2	2.6	2.2	2.6
S553-6500-35	1 : 2CT	1 : 2CT	1.2	0.8	40	0.9	1.8	0.9	1.8
S553-6500-40	1 : 2CT	1CT : 1	1.2	0.6	40	0.7	1.4	0.7	1.4
S553-6500-43	1 : 1.36	1 : 1	1.2	0.6	40	0.7	1.0	0.7	0.7
S553-6500-44	1 : 1.15	1 : 1	1.2	0.6	40	0.7	0.85	0.7	0.7
S553-6500-55	1CT : 2	1 : 2CT	1.2	0.6	40	0.7	1.4	0.7	1.4
S553-6500-58	1 : 1.36CT	1 : 1CT	1.2	0.6	35	0.7	1.0	0.7	0.35
S553-6500-61	1 : 1.41	1 : 1.41	1.5	0.6	40	0.7	1.0	0.7	1.0
S553-6500-66	1 : 2.42	2.42 : 1	1.5	0.5	35	0.7	1.0	0.7	1.0
S553-6500-69	1 : 1.36CT	1 : 2CT	1.2	0.6	40	0.7	1.0	0.7	1.4

MECHANICAL

- S553-5692-08
- S553-5692-09
- S553-6500-35
- S553-6500-40
- S553-6500-43
- S553-6500-44
- S553-6500-55
- S553-6500-58
- S553-6500-61
- S553-6500-66
- S553-6500-69



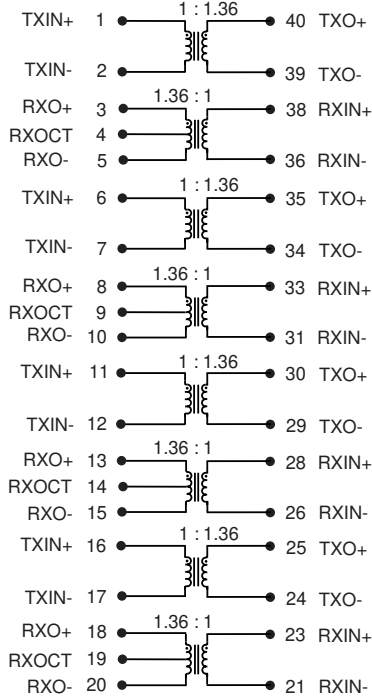
Dimensions are in inches [millimeters].
Standard dimension tolerance is ±0.005 [0.13] unless otherwise noted.

©2000 Bel Fuse Inc. Specifications subject to change without notice. 06.01

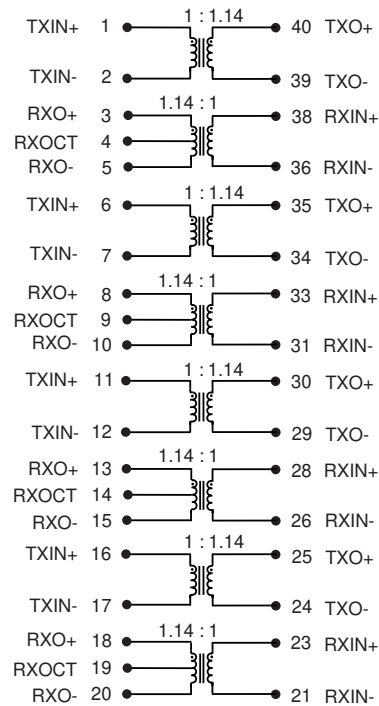
TM00132

SCHEMATICS

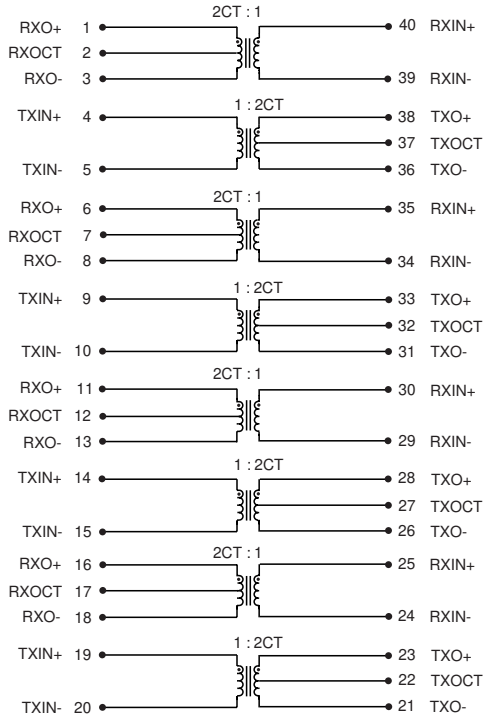
S553-5692-08



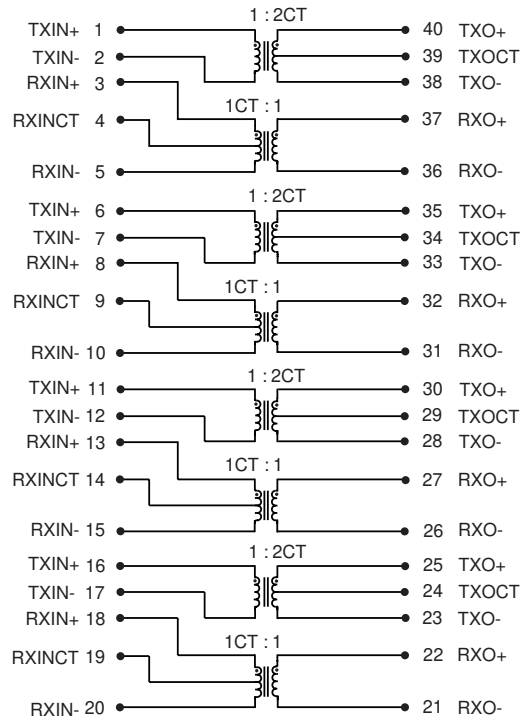
S553-5692-09



S553-6500-35



S553-6500-40



HIGH FREQUENCY MAGNETICS

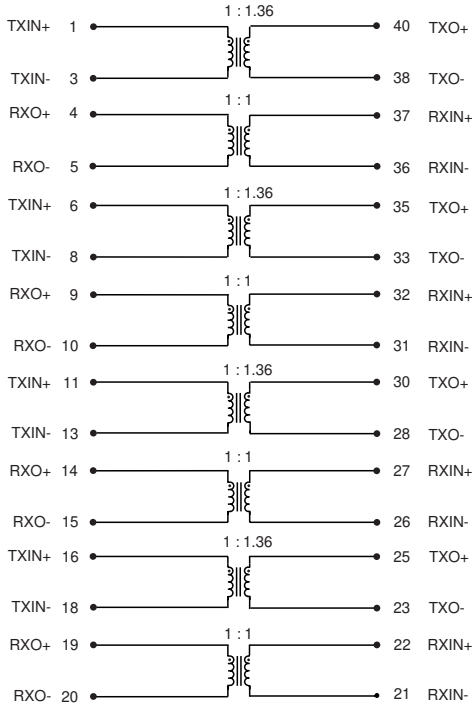
T1/E1 Octal Transformer Modules



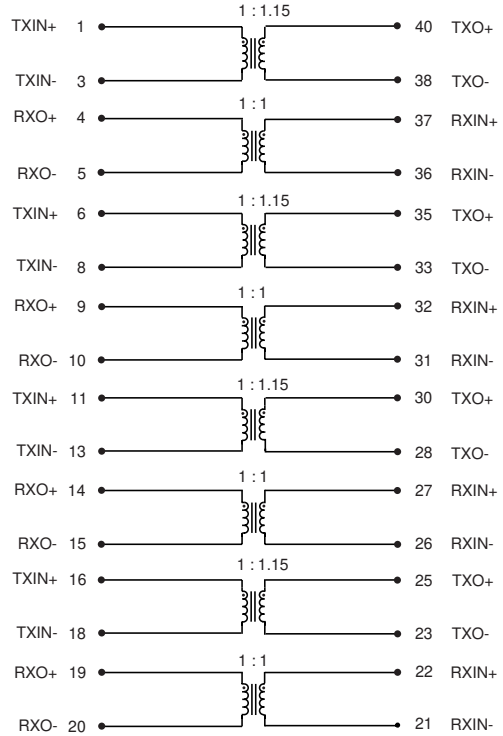
TM00132

SCHEMATICS

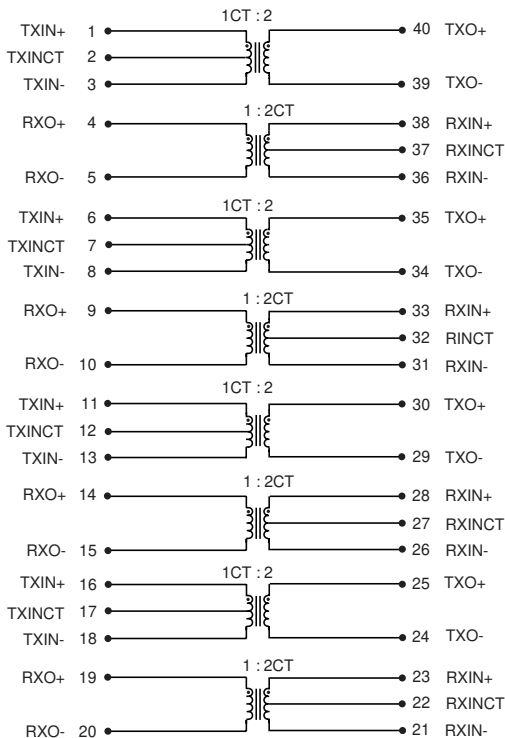
S553-6500-43



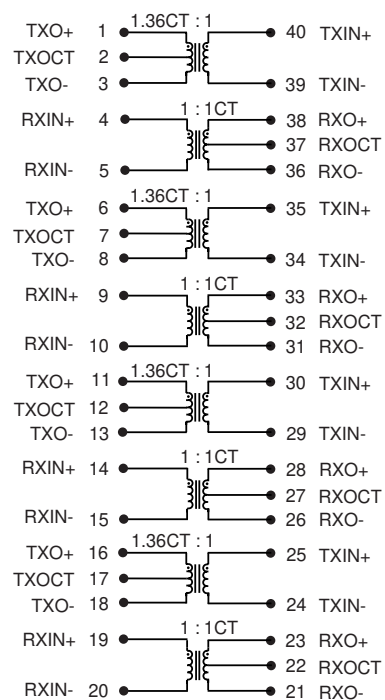
S553-6500-44



S553-6500-55



S553-6500-58

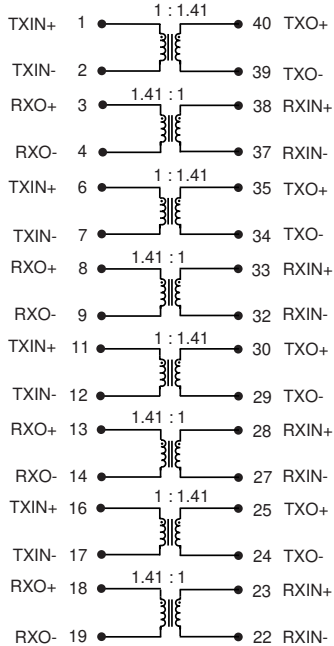


©2000 Bel Fuse Inc. Specifications subject to change without notice. 06.01

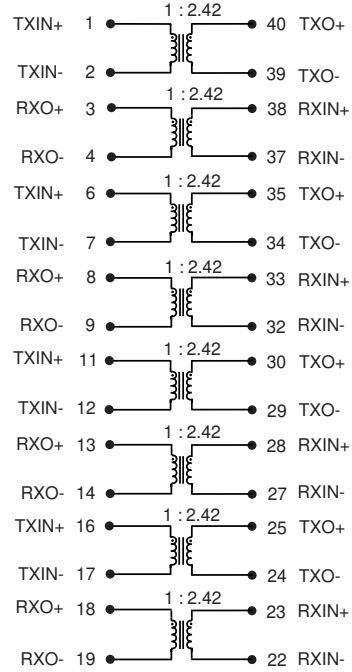
TM00132

SCHEMATICS

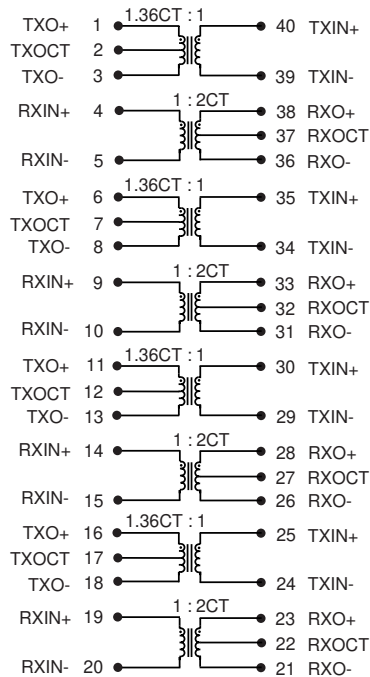
S553-6500-61



S553-6500-66



S553-6500-69



- Octal transformer solutions for T1/E1 applications including concentrators, channel banks and cellular base stations
- Octals utilize Bel's popular 40-pin SMD package
- Designed to meet the stringent demands of high density designs
- Minimum interwinding breakdown voltage of 1500 Vrms
- Designed for UL1459/UL1950
- For operating temperature range of -40° to +85° C, OCL is 600µH minimum at -40° C

©2000 Bel Fuse Inc. Specifications subject to change without notice. 06.01

CORPORATE

Bel Fuse Inc.
 206 Van Vorst Street
 Jersey City, NJ 07302
 Tel 201-432-0463
 Fax 201-432-9542
 www.belfuse.com

FAR EAST

Bel Fuse Ltd.
 8F / 8 Luk Hop Street
 San Po Kong
 Kowloon, Hong Kong
 Tel 852-2328-5515
 Fax 852-2352-3706
 www.belfuse.com

EUROPE

Bel Fuse Europe Ltd.
 Preston Technology Management Centre
 Marsh Lane, Suite G7, Preston
 Lancashire, PR1 8UD, U.K.
 Tel 44-1772-556601
 Fax 44-1772-888366
 www.belfuse.com