



Chipsmall Limited consists of a professional team with an average of over 10 year of expertise in the distribution of electronic components. Based in Hongkong, we have already established firm and mutual-benefit business relationships with customers from,Europe,America and south Asia,supplying obsolete and hard-to-find components to meet their specific needs.

With the principle of “Quality Parts,Customers Priority,Honest Operation,and Considerate Service”,our business mainly focus on the distribution of electronic components. Line cards we deal with include Microchip,ALPS,ROHM,Xilinx,Pulse,ON,Everlight and Freescale. Main products comprise IC,Modules,Potentiometer,IC Socket,Relay,Connector.Our parts cover such applications as commercial,industrial, and automotives areas.

We are looking forward to setting up business relationship with you and hope to provide you with the best service and solution. Let us make a better world for our industry!



Contact us

Tel: +86-755-8981 8866 Fax: +86-755-8427 6832

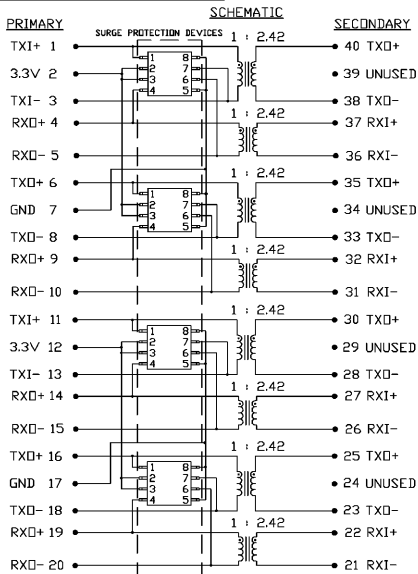
Email & Skype: info@chipsmall.com Web: www.chipsmall.com

Address: A1208, Overseas Decoration Building, #122 Zhenhua RD., Futian, Shenzhen, China



THE INFORMATION CONTAINED HEREIN IS CONSIDERED "PROPRIETARY" TO BEL FUSE INC. AND SHALL NOT BE COPIED, REPRODUCED OR DISCLOSED WITHOUT THE WRITTEN APPROVAL OF BEL FUSE INC.

RoHS
2002/96/EC



ELECTRICAL CHARACTERISTICS @ 25°C

TURNS RATIO		
PRIMARY : SECONDARY	1 : 2.42	
INDUCTANCE		
PRIMARY	1.2 mH MIN. @10kHz, 10mV	
AT -40°C	400 μH MIN.	
LEAKAGE INDUCTANCE (Le)		
PRIMARY WITH SECONDARY SIDE SHORTED	0.30 μH MAX. @1MHz, 20mV	
INTERWINDING CAPACITANCE (Cw/w)		
PRIMARY - SECONDARY	35pF MAX. @1MHz, 20mV	
DC RESISTANCE		
PRIMARY	0.5Ω MAX.	
SECONDARY	1.0 Ω MAX.	
HIPDT		REF. DOC. HAND-WORK-03

THE SURGE PROTECTION DEVICES
 TVS DIODE ARRAYS : PROTEK PSRDA3.3-4-LF
 NUMBER OF ARRAYS : 4
 *THE SURGE PROTECTION PROVIDED BY THE BEL MODULE IS EQUIVALENT
 TO THAT ADVERTISED IN THE PROTEK PSRDA3.3-4-LF PRODUCT SPECIFICATION

ORIGINATED BY	DATE	TITLE
HILLY CHAN	08-24-07	ELECTRICAL SPECIFICATION S553-6500-A8-F
DRAWN BY	DATE	
DQ Chen	08-24-07	

PART NO. / DRAWING NO.	STANDARD DIM.
X5536500A8-F	TOL. IN INCH
FILE NAME	
X5536500ABF.BWG	

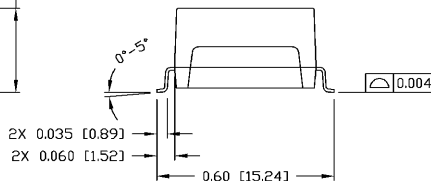
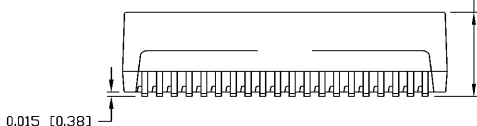
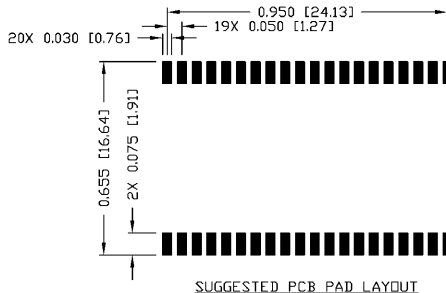
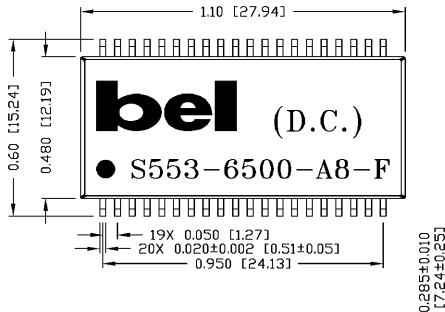
		[] METRIC DIM. AS REFERENCE	
.X	.XX	UNIT : INCH [mm]	REV. : B
.XXX	⊕	SCALE : N/A	SIZE : A4
⊕	⊕	PAGE : 2	



THE INFORMATION CONTAINED HEREIN IS CONSIDERED "PROPRIETARY" TO BEL FUSE INC. AND SHALL NOT BE COPIED, REPRODUCED OR DISCLOSED WITHOUT THE WRITTEN APPROVAL OF BEL FUSE INC.

"In order to survive the high temperature (260C) reflow requirement of RoHS directive, the internal solder joints of this part need to use solder containing over 85% of lead. Exempted per RoHS directive Annex 7"

RoHS
2002/95/EC



NOTES:

- STANDARD MARKING REFER TO DOC. HAND-WORK-04.
- PACKAGE CODE: "DIS002".

ORIGINATED BY	DATE	TITLE	PART NO. / DRAWING NO.	STANDARD DIM. TOL. IN INCH	[] METRIC DIM. AS REFERENCE
Lawrence Tsang	08-24-07	MECHANICAL SPECIFICATION S553-6500-A8-F	X5536500A8-F	.X	UNIT : INCH [mm]
DQ Chen	08-24-07		X5536500ABF.DWG	.XX ±0.01 .XXX ±0.005	SCALE : N/A
					REV. : B SIZE : A4 PAGE : 3