



Chipsmall Limited consists of a professional team with an average of over 10 year of expertise in the distribution of electronic components. Based in Hongkong, we have already established firm and mutual-benefit business relationships with customers from,Europe,America and south Asia,supplying obsolete and hard-to-find components to meet their specific needs.

With the principle of “Quality Parts,Customers Priority,Honest Operation,and Considerate Service”,our business mainly focus on the distribution of electronic components. Line cards we deal with include Microchip,ALPS,ROHM,Xilinx,Pulse,ON,Everlight and Freescale. Main products comprise IC,Modules,Potentiometer,IC Socket,Relay,Connector.Our parts cover such applications as commercial,industrial, and automotives areas.

We are looking forward to setting up business relationship with you and hope to provide you with the best service and solution. Let us make a better world for our industry!



Contact us

Tel: +86-755-8981 8866 Fax: +86-755-8427 6832

Email & Skype: info@chipsmall.com Web: www.chipsmall.com

Address: A1208, Overseas Decoration Building, #122 Zhenhua RD., Futian, Shenzhen, China



HIGH FREQUENCY MAGNETICS

T1/E1 Mini-Octal Transformer Module

TM01123

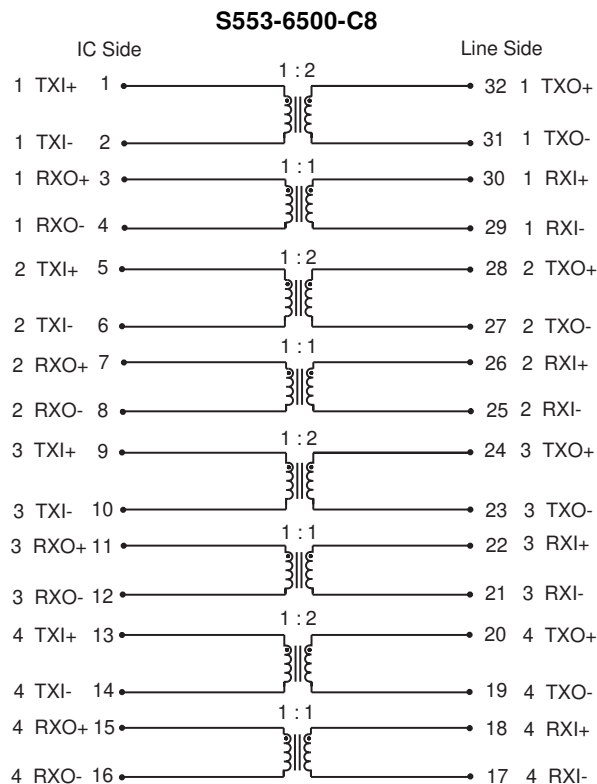
- Optimized for all Dallas 3.3V devices and Intel LXT380, LXT381 devices
- Eight transformers in a single surface mount package
- Miniature octal 32-pin platform provides 33% area reduction compared to standard octal package
- Electrically identical to S553-6500-B9
- Meets ITU-T G.703 return loss from -40° to +85° C
- UL 1950 approved: file number E150991
- Operating temperature range -40° to +85°C
- Meets IEC 695, 2-2 flammability requirements
- PWB Process Capability: standard printed wiring board assembly techniques, total-immersion cleaning
- Reliability testing: Shock, vibration, temperature cycling, temperature - humidity - bias
- Interwinding breakdown voltage: 1500 Vrms min

ELECTRICAL SPECIFICATIONS at 25° C

Part Number	Turns Ratio ±2%		Primary Inductance at 10 kHz		Leakage Inductance at 1 MHz		DCR Ω max				Capacitance pF max	Return Loss at 102 kHz 120Ω Application ¹			
	IC : Line		mH min		μH max		IC Side		Line Side		Winding to Winding	25° C dB typ		-40 to +85° C dB min	
	TX	RX	TX	RX	TX	RX	TX	RX	TX	RX		TX	RX	TX	RX
S553-6500-C8	1 : 2	1 : 1	1.5	1.8	0.3	0.5	0.6	0.6	1.2	0.6	35	19	30	18	19

1. Terminated in 23.2 Ω for TX and 120 Ω for RX

SCHEMATIC

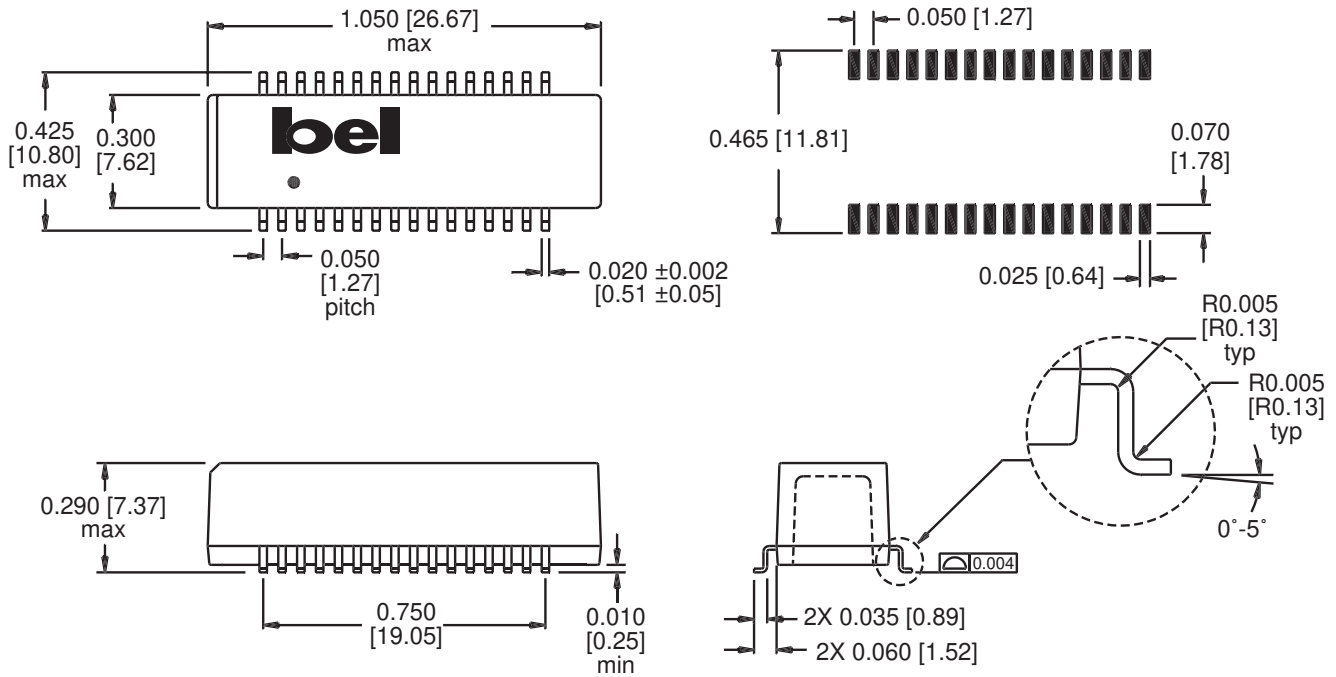


©2001 Bel Fuse Inc. Specifications subject to change without notice. 12.01

TM01123

MECHANICAL

S553-6500-C8



Dimensions are in inches [millimeters].
Standard dimension tolerance is ± 0.005 [0.13] unless otherwise noted.

Tape and Reel Packaging

44 mm wide by 16 mm pitch; 13 inch OD, 4 inch ID
400 modules per reel, maximum
Meets ANSI/EIA 481-2 Carrier Tape Standards - JEDEC SO Package

©2001 Bel Fuse Inc. Specifications subject to change without notice. 12.01

CORPORATE

Bel Fuse Inc.
206 Van Vorst Street
Jersey City, NJ 07302
Tel 201-432-0463
Fax 201-432-9542
www.belfuse.com

FAR EAST

Bel Fuse Ltd.
8F / 8 Luk Hop Street
San Po Kong
Kowloon, Hong Kong
Tel 852-2328-5515
Fax 852-2352-3706
www.belfuse.com

EUROPE

Bel Fuse Europe Ltd.
Preston Technology Management Centre
Marsh Lane, Suite G7, Preston
Lancashire, PR1 8UD, U.K.
Tel 44-1772-556601
Fax 44-1772-888366
www.belfuse.com