



Chipsmall Limited consists of a professional team with an average of over 10 year of expertise in the distribution of electronic components. Based in Hongkong, we have already established firm and mutual-benefit business relationships with customers from,Europe,America and south Asia,supplying obsolete and hard-to-find components to meet their specific needs.

With the principle of “Quality Parts,Customers Priority,Honest Operation,and Considerate Service”,our business mainly focus on the distribution of electronic components. Line cards we deal with include Microchip,ALPS,ROHM,Xilinx,Pulse,ON,Everlight and Freescale. Main products comprise IC,Modules,Potentiometer,IC Socket,Relay,Connector.Our parts cover such applications as commercial,industrial, and automotives areas.

We are looking forward to setting up business relationship with you and hope to provide you with the best service and solution. Let us make a better world for our industry!



Contact us

Tel: +86-755-8981 8866 Fax: +86-755-8427 6832

Email & Skype: info@chipsmall.com Web: www.chipsmall.com

Address: A1208, Overseas Decoration Building, #122 Zhenhua RD., Futian, Shenzhen, China



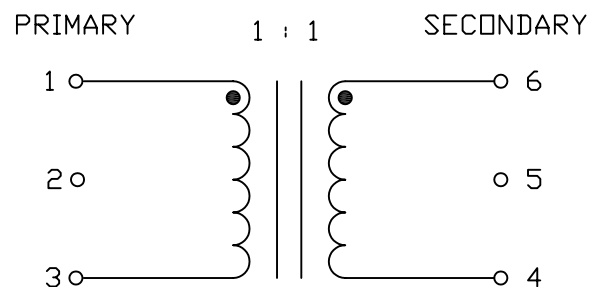
THE INFORMATION CONTAINED HEREIN IS CONSIDERED 'PROPRIETARY' TO BEL FUSE INC. AND SHALL NOT BE COPIED, REPRODUCED OR DISCLOSED WITHOUT THE WRITTEN APPROVAL OF BEL FUSE INC.

RoHS
2002/95/EC



ELECTRICAL CHARACTERISTICS @ 25°C

SCHEMATIC



| | |
|---|--|
| <p>URNS RATIO PRIMARY : SECONDARY</p> | <p>1 : 1</p> |
| <p>INDUCTANCE PRIMARY</p> | <p>80μH MIN. @100kHz, L_s, 100mV 60μH MIN. @1.7MHz, L_p, 170mV 40μH MIN. @100kHz, L_s, 100mV</p> |
| <p>AT -40°C</p> | |
| <p>LEAKAGE INDUCTANCE (L_e) PRIMARY (SECONDARY SHORTED)</p> | <p>0.09μH MAX. @1MHz, 100mV</p> |
| <p>INTERWINDING CAPACITANCE (C_{w/w}) PRIMARY - SECONDARY</p> | <p>10pF MAX. @1MHz, 100mV</p> |
| <p>DC RESISTANCE (1-3) = (6-4)</p> | <p>0.25 Ω MAX.</p> |
| <p>HIPOT</p> | <p>PER HAND-WORK-03</p> |

| | | | | | |
|---------------|----------|--|------------------------|----------------------------|------------------------------|
| ORIGINATED BY | DATE | TITLE | PART NO. / DRAWING NO. | STANDARD DIM. TOL. IN INCH | [] METRIC DIM. AS REFERENCE |
| CHAN CH | 04-20-09 | ELECTRICAL SPECIFICATION S554-6500-25-F | X554650025-F | .X | UNIT : INCH [mm] REV. : A |
| DRAWN BY | DATE | | FILE NAME | .XX | SCALE : N/A SIZE : A4 |
| YH Lai | 04-20-09 | | X554650025FA.DWG | .XXX | ⊕ PAGE : 2 |

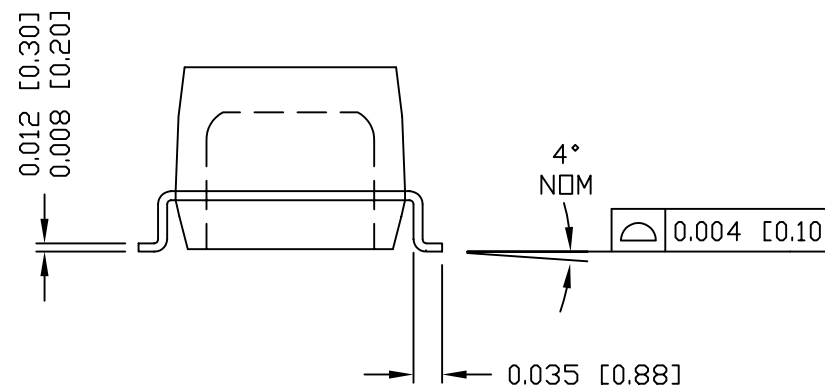
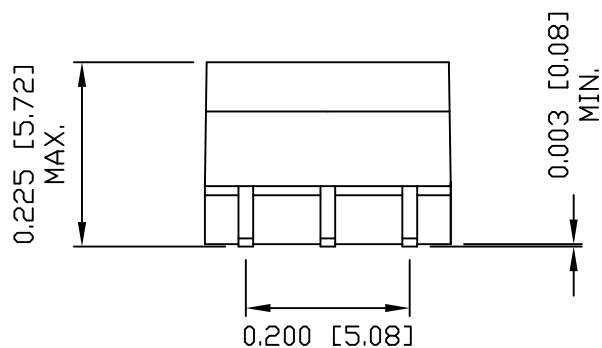
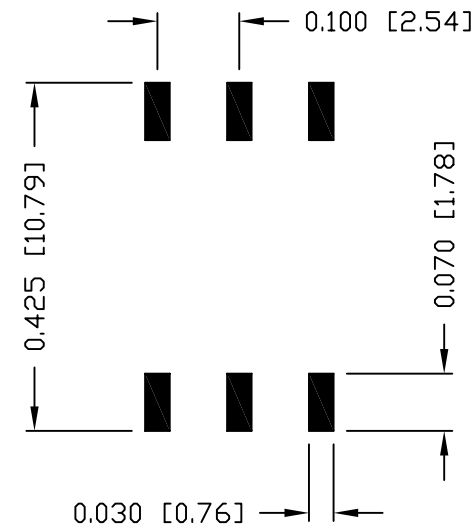
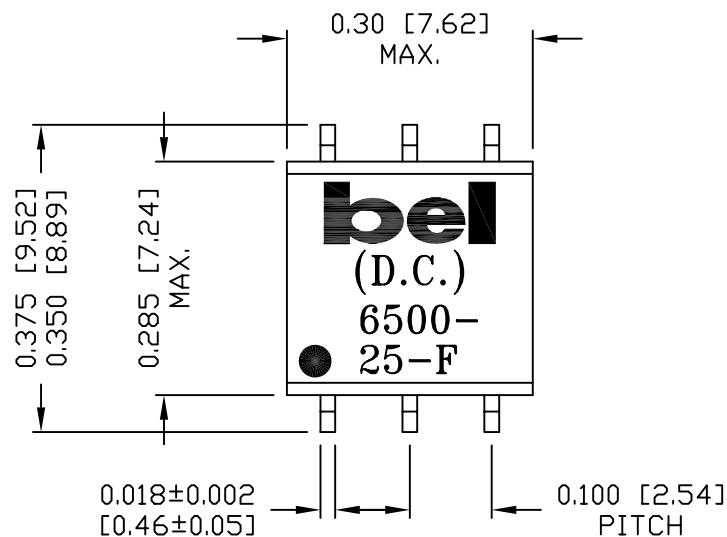


THE INFORMATION CONTAINED HEREIN IS CONSIDERED "PROPRIETARY" TO BEL FUSE INC. AND SHALL NOT BE COPIED, REPRODUCED OR DISCLOSED WITHOUT THE WRITTEN APPROVAL OF BEL FUSE INC.

RoHS
2002/95/EC



SUGGESTED PCB PAD LAYOUT



NOTES:

1. STANDARD MARKING REFER TO DOC. HAND-WORK-04.
2. PACKAGE CODE: "QAS002".

| ORIGINATED BY | DATE | TITLE | PART NO. / DRAWING NO. | STANDARD DIM. TOL. IN INCH | [] METRIC DIM. AS REFERENCE |
|----------------|----------|--------------------------------------|------------------------|----------------------------|-----------------------------------|
| Lawrence Tsang | 04-20-09 | MECHANICAL OUTLINE S554-6500-25-F | X554650025-F | .X | UNIT : INCH [mm] REV. : A |
| DRAWN BY | DATE | | FILE NAME | .XX ±0.01 | SCALE : N/A SIZE : A4 |
| YH Lai | 04-20-09 | | X554650025FA.DWG | .XXX ±0.005 | SCALE : N/A SIZE : A4 PAGE : 3 |

