



Chipsmall Limited consists of a professional team with an average of over 10 year of expertise in the distribution of electronic components. Based in Hongkong, we have already established firm and mutual-benefit business relationships with customers from,Europe,America and south Asia,supplying obsolete and hard-to-find components to meet their specific needs.

With the principle of “Quality Parts,Customers Priority,Honest Operation,and Considerate Service”,our business mainly focus on the distribution of electronic components. Line cards we deal with include Microchip,ALPS,ROHM,Xilinx,Pulse,ON,Everlight and Freescale. Main products comprise IC,Modules,Potentiometer,IC Socket,Relay,Connector.Our parts cover such applications as commercial,industrial, and automotives areas.

We are looking forward to setting up business relationship with you and hope to provide you with the best service and solution. Let us make a better world for our industry!



Contact us

Tel: +86-755-8981 8866 Fax: +86-755-8427 6832

Email & Skype: info@chipsmall.com Web: www.chipsmall.com

Address: A1208, Overseas Decoration Building, #122 Zhenhua RD., Futian, Shenzhen, China



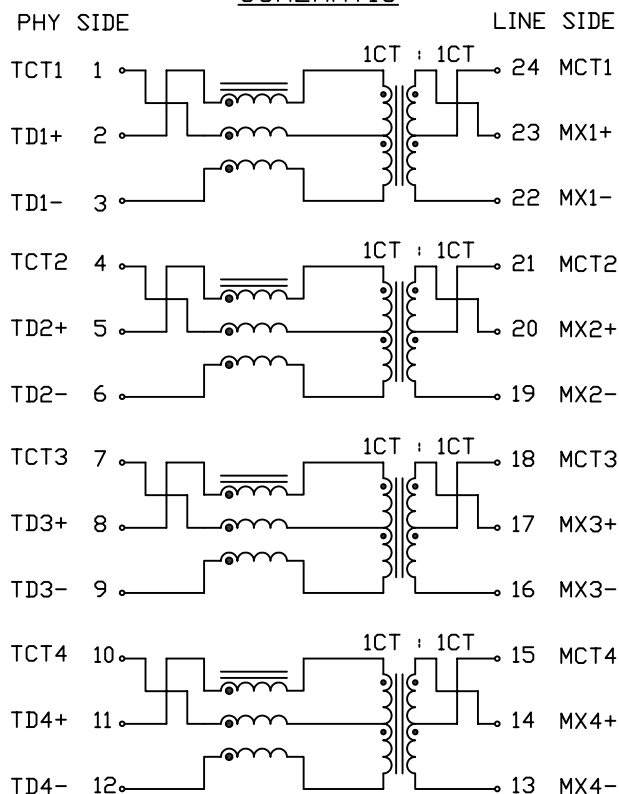
THE INFORMATION CONTAINED HEREIN IS CONSIDERED "PROPRIETARY" TO BEL FUSE INC. AND SHALL NOT BE COPIED, REPRODUCED OR DISCLOSED WITHOUT THE WRITTEN APPROVAL OF BEL FUSE INC.

ELECTRICAL CHARACTERISTICS @25°C

RoHS



SCHEMATIC



DC RESISTANCE

(2-3), (5-6), (8-9), (11-12)	1.00 Ω MAX
(1-3), (4-6), (7-9), (10-12)	0.75 Ω MAX
(23-22), (20-19), (17-16), (14-13)	0.50 Ω MAX
(24-22), (21-19), (18-16), (15-13)	0.30 Ω MAX

URNS RATIO

(2-1-3) : (23-24-22)	1CT : 1CT ±2%
(5-4-6) : (20-21-19)	1CT : 1CT ±2%
(8-7-9) : (17-18-16)	1CT : 1CT ±2%
(11-10-12) : (14-15-13)	1CT : 1CT ±2%

POLARITY

PER DOT CONVENTION

QCL

-40°C TO +85°C
-40°C TO +85°C

100kHz, 100mV
350uH MIN WITH 11mA DC BIAS
120uH MIN WITH 19mA DC BIAS

INTERWINDING CAPACITANCE, C_{ww}

@1MHz, 20mV
30pF MAX

INSERTION LOSS

0.3MHz - 1MHz
1MHz - 65MHz
65MHz - 100MHz
100MHz - 125MHz

1.1dB MAX
0.8dB MAX
1.0dB MAX
1.2dB MAX

RETURN LOSS @100Ω

0.5MHz - 40MHz
40MHz - 100MHz

18dB MIN
12-20LOG(f/80MHz)dB MIN

CROSSTALK

0.3MHz - 100MHz

33-20LOG(f/100MHz)dB MIN

CM TO CM REJ

0.3MHz - 100MHz

30dB MIN

CM TO DM REJ

0.3MHz - 100MHz

35dB MIN

BALANCED DC LINE CURRENT

720mA MAX @57VDC CONTINUOUS
1.2A MAX @57VDC FOR 200ms

HIPOT

1500 V_{rms}

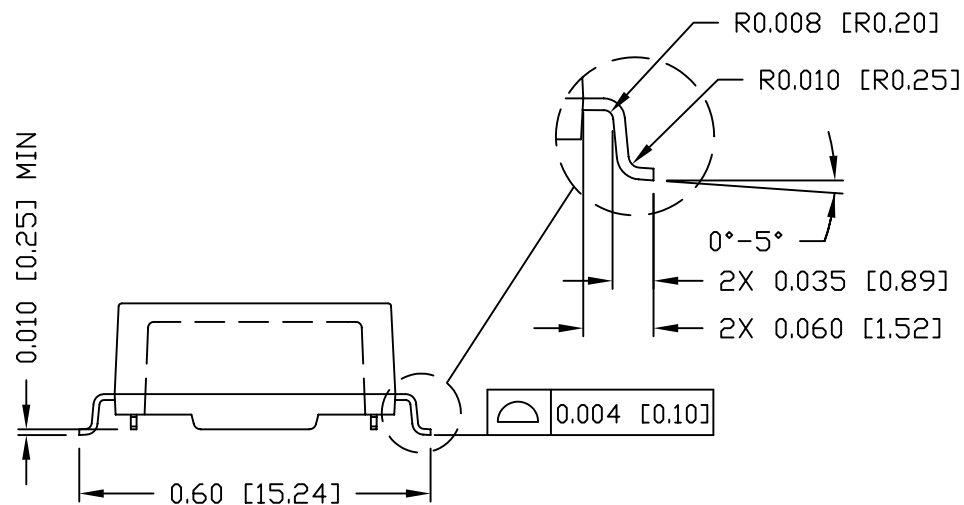
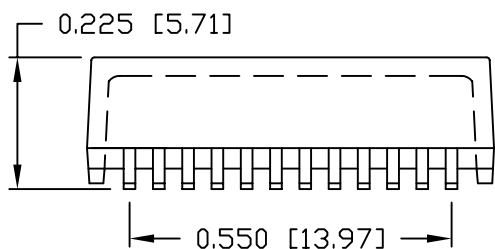
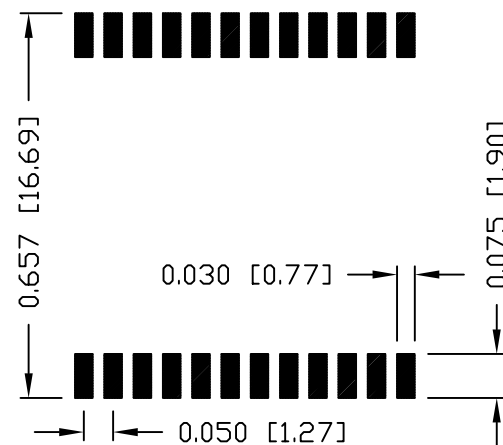
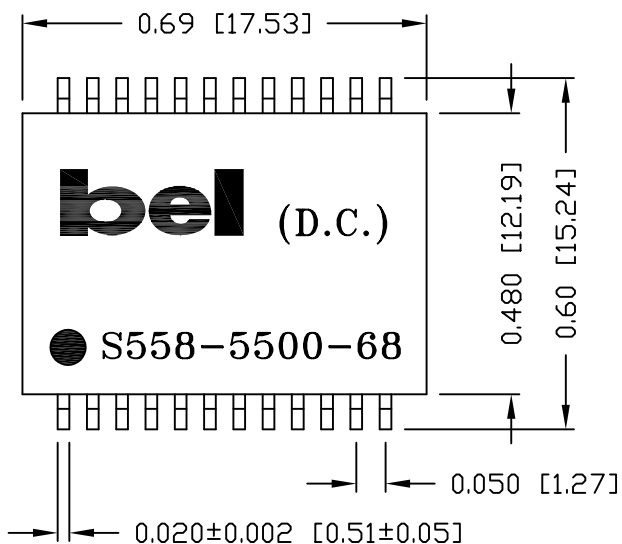
ORIGINATED BY	DATE	TITLE	PART NO. / DRAWING NO.	STANDARD DIM. TOL. IN INCH	[] METRIC DIM. AS REFERENCE
CH CHAN	2012-09-06	ELECTRICAL SPECIFICATION	S558-5500-68	.X	UNIT : INCH [mm] REV. : B
DRAWN BY	DATE		FILE NAME	.XX	SCALE : N/A SIZE : A4
ZC Guo	2012-09-06		S558550068B.DWG	.XXX	PAGE : 2



THE INFORMATION CONTAINED HEREIN IS CONSIDERED "PROPRIETARY" TO BEL FUSE INC. AND SHALL NOT BE COPIED, REPRODUCED OR DISCLOSED WITHOUT THE WRITTEN APPROVAL OF BEL FUSE INC.

SUGGESTED PCB PAD LAYOUT

RoHS



NOTES:

- STANDARD MARKING REFER TO DOC. HAND-WORK-04.
- PACKAGE CODE: "RQS001".

ORIGINATED BY LAWRENCE TSANG	DATE 2012-09-06	TITLE MECHANICAL OUTLINE	PART NO. / DRAWING NO. S558-5500-68	STANDARD DIM. TOL. IN INCH	[] METRIC DIM. AS REFERENCE
DRAWN BY ZC Guo	DATE 2012-09-06		FILE NAME S558550068B.DWG	.X .XX ±0.01 .XXX ±0.005	UNIT : INCH [mm] SCALE : N/A

