



Chipsmall Limited consists of a professional team with an average of over 10 year of expertise in the distribution of electronic components. Based in Hongkong, we have already established firm and mutual-benefit business relationships with customers from,Europe,America and south Asia,supplying obsolete and hard-to-find components to meet their specific needs.

With the principle of “Quality Parts,Customers Priority,Honest Operation,and Considerate Service”,our business mainly focus on the distribution of electronic components. Line cards we deal with include Microchip,ALPS,ROHM,Xilinx,Pulse,ON,Everlight and Freescale. Main products comprise IC,Modules,Potentiometer,IC Socket,Relay,Connector.Our parts cover such applications as commercial,industrial, and automotives areas.

We are looking forward to setting up business relationship with you and hope to provide you with the best service and solution. Let us make a better world for our industry!



Contact us

Tel: +86-755-8981 8866 Fax: +86-755-8427 6832

Email & Skype: info@chipsmall.com Web: www.chipsmall.com

Address: A1208, Overseas Decoration Building, #122 Zhenhua RD., Futian, Shenzhen, China



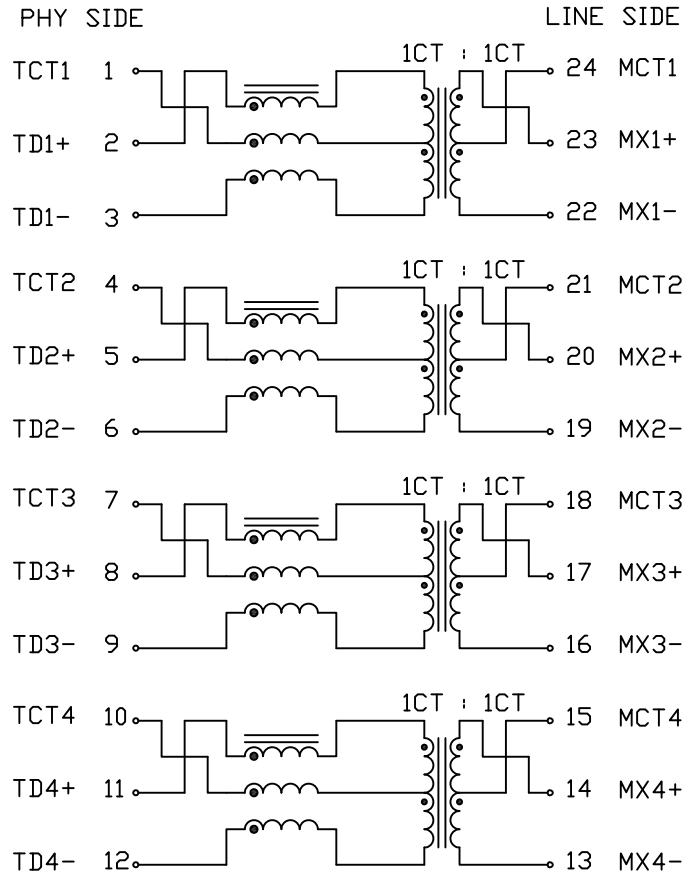
THE INFORMATION CONTAINED HEREIN IS CONSIDERED "PROPRIETARY" TO BEL FUSE INC. AND SHALL NOT BE COPIED, REPRODUCED OR DISCLOSED WITHOUT THE WRITTEN APPROVAL OF BEL FUSE INC.

PRELIMINARY

ELECTRICAL CHARACTERISTICS @25°C



SCHEMATIC



TURNS RATIO
 (2-1-3) : (23-24-22) 1CT : 1CT ±2%
 (5-4-6) : (20-21-19) 1CT : 1CT ±2%
 (8-7-9) : (17-18-16) 1CT : 1CT ±2%
 (11-10-12) : (14-15-13) 1CT : 1CT ±2%
 POLARITY PER DOT CONVENTION
 OCL 100kHz, 100mV
 180uH MIN WITH 8mA DC BIAS
 120uH MIN WITH 19mA DC BIAS
 INTERWINDING CAPACITANCE, C_{ww} @1MHz, 20mV
 30pF MAX

PARAMETER		MAGNITUDE (IN dB)	FREQUENCY (IN MHZ)	
			START	END
INSERTION LOSS	SDD12, SDD21	-0.004<fMHz>-0.4 MAX	1	150
RETURN LOSS	SDD11, SDD22	-20 MIN	1	40
		-20+15LOG<f/40MHz> MIN	40	150
ALINE NEAR END CROSSTALK	SDDXY'	-46+7LOG<f/125MHz> MIN	1	150
NEAR END CROSSTALK	SDDXY	-35 MIN	1	40
		-35+15LOG<f/40MHz> MIN	40	150
IMPEDANCE BALANCE	SDC11	-34 MIN	1	40
		-34+15LOG<f/40MHz> MIN	40	150
		SCD22	-38+19.2LOG<f/50MHz> MIN	30
MODE CONVERSION	SDC12		-35 MIN	1
		-35+17LOG<f/40MHz> MIN	40	150
		SDC21	-30 MIN	1
-30+11LOG<f/40MHz> MIN	40		150	
COMMON MODE REJECTION	SCC21	-25 MIN	1	150

BALANCED DC LINE CURRENT 720mA MAX @57VDC CONTINUOUS, 1.2A MAX @57VDC FOR 200mS
 HIPOT 2250 VDC
 OPERATING TEMPERATURE: -40 TO 85°C
 MEETS 2.5G PERFORMANCE REQUIREMENTS AS PER IEEE 802.3bz

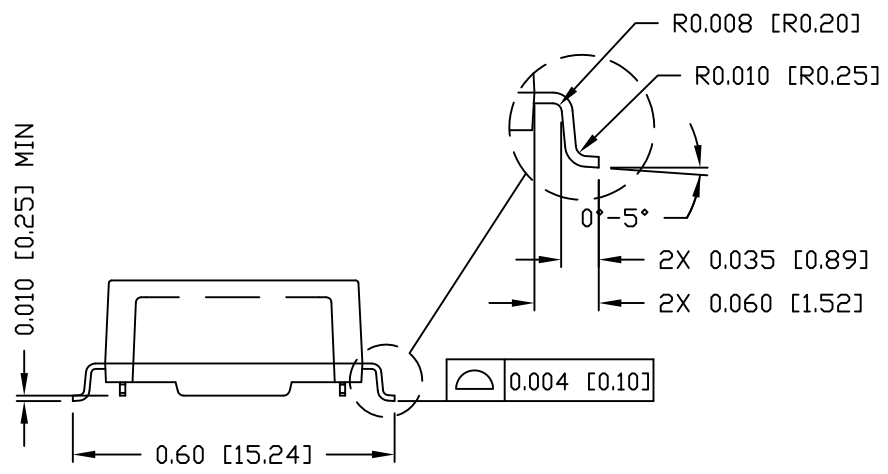
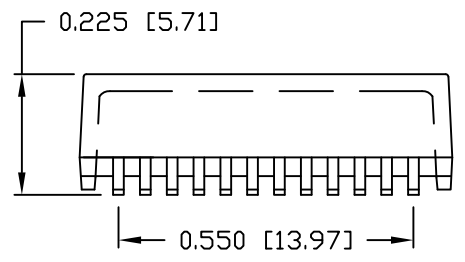
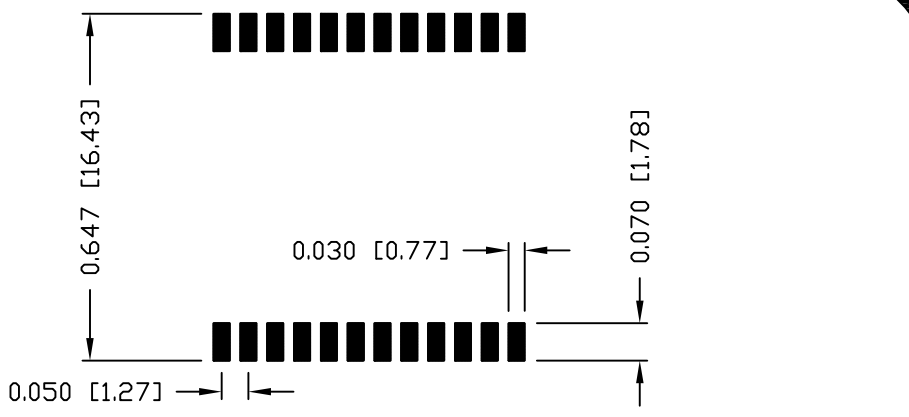
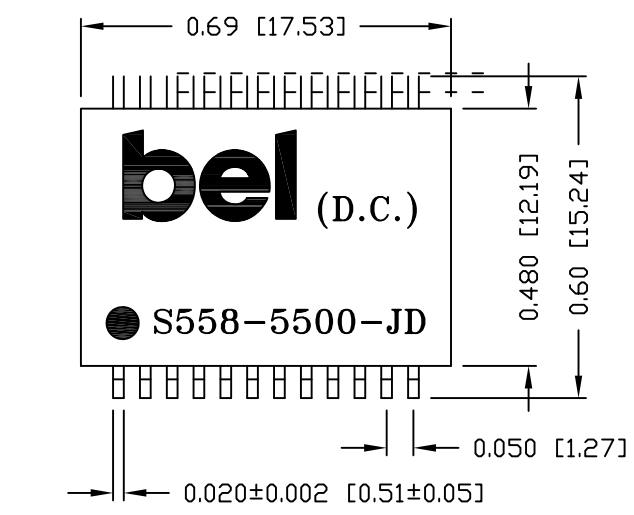
ORIGINATED BY	DATE	TITLE	PART NO. / DRAWING NO.	STANDARD DIM.	[] METRIC DIM. AS REF.	 POWER PROTECT CONNECT
Alice Pang	2015-12-17		S558-5500-JD	TOL. IN INCH	UNIT : INCH [mm]	
DRAWN BY	DATE		FILE NAME	.X	SCALE : N/A	
JB	2017-08-10	S5585500JDPA.DWG	.XX	SIZE : A4		
DC002(2)120214						

This document is electronically generated. This is a controlled copy if used internally

THE INFORMATION CONTAINED HEREIN IS CONSIDERED "PROPRIETARY" TO BEL FUSE INC. AND SHALL NOT BE COPIED, REPRODUCED OR DISCLOSED WITHOUT THE WRITTEN APPROVAL OF BEL FUSE INC.

PRELIMINARY

SUGGESTED PCB PAD LAYOUT



NOTES:

- STANDARD MARKING REFER TO DOC. HAND-WORK-04.
- PACKAGE CODE: "RQS001".

ORIGINATED BY Lawrence Tsang	DATE 2015-12-17	TITLE MECHANICAL OUTLINE	PART NO. / DRAWING NO. S558-5500-JD	STANDARD DIM. TOL. IN INCH	[] METRIC DIM. AS REF.	REV. : PA	PAGE : 3
DRAWN BY ZC Guo	DATE 2015-12-17		FILE NAME S5585500JDPA.DWG	.X /	UNIT : INCH [mm]	 POWER PROTECT CONNECT	
				.XX ±0.01	SCALE : N/A		
			.XXX ±0.005	SIZE : A4			

DC002(2)120214

This document is electronically generated. This is a controlled copy if used internally