



Chipsmall Limited consists of a professional team with an average of over 10 year of expertise in the distribution of electronic components. Based in Hongkong, we have already established firm and mutual-benefit business relationships with customers from,Europe,America and south Asia,supplying obsolete and hard-to-find components to meet their specific needs.

With the principle of “Quality Parts,Customers Priority,Honest Operation,and Considerate Service”,our business mainly focus on the distribution of electronic components. Line cards we deal with include Microchip,ALPS,ROHM,Xilinx,Pulse,ON,Everlight and Freescale. Main products comprise IC,Modules,Potentiometer,IC Socket,Relay,Connector.Our parts cover such applications as commercial,industrial, and automotives areas.

We are looking forward to setting up business relationship with you and hope to provide you with the best service and solution. Let us make a better world for our industry!



Contact us

Tel: +86-755-8981 8866 Fax: +86-755-8427 6832

Email & Skype: info@chipsmall.com Web: www.chipsmall.com

Address: A1208, Overseas Decoration Building, #122 Zhenhua RD., Futian, Shenzhen, China

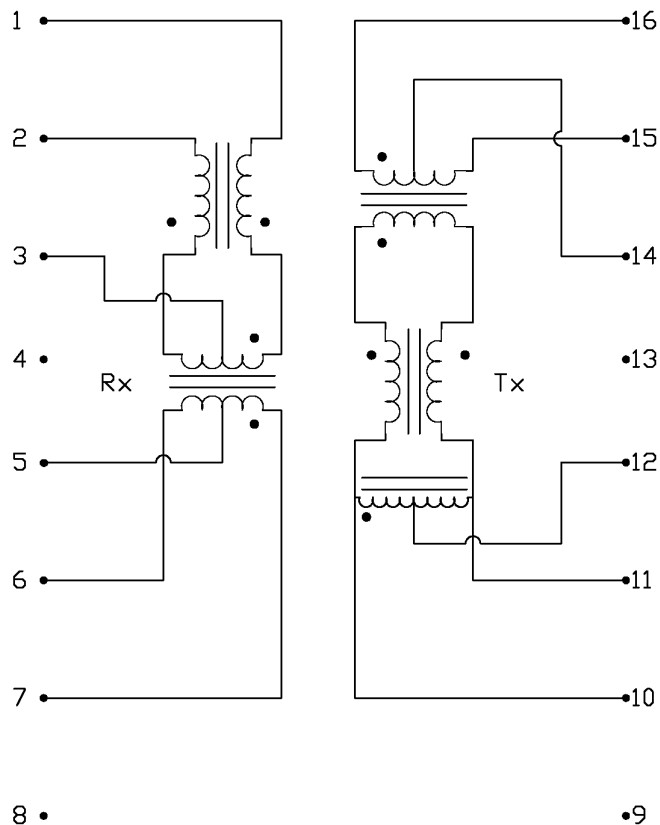


THE INFORMATION CONTAINED HEREIN IS CONSIDERED "PROPRIETARY" TO BEL FUSE INC. AND SHALL NOT BE COPIED, REPRODUCED OR DISCLOSED WITHOUT THE WRITTEN APPROVAL OF BEL FUSE INC.

ELECTRICAL CHARACTERISTICS @ 25°C



SCHEMATIC



URNS RATIO

(1-3-2) : (7-5-6)
(16-14-15) : (10-12-11)

1CT : 1CT
1CT : 1CT

PHASING

1 TO 7 AND 16 TO 10 IN PHASE

OCL

(7-6) OPEN 1 & 2
(10-11) OPEN 16 & 15

420uH MIN. AT 100kHz, 100mV
WITH 8mA DC BIAS

INSERTION LOSS

1.0dB MAX AT 100kHz TO 80MHz

RETURN LOSS

MEASURED UNDER A 100 Ω
ENVIRONMENT (16-15) TO (10-11)
(6-7) TO (1-2)

FREQ	2MHz	10MHz	30MHz	45MHz	60MHz	80MHz
MIN.	20dB	20dB	19dB	16dB	13dB	12dB

RETURN LOSS

MEASURED UNDER 25 AND 100 Ω
IMPEDANCE ENVIRONMENT ACROSS
(16-14) AND (10-11)
RESPECTIVELY

17dB MIN AT 5MHz & 10MHz

CMDR

40dB MIN AT 100kHz TO 50MHz
30dB MIN ABOVE 50M TO 100MHz

CROSSTALK

HIPOT

30dB MIN AT 100kHz TO 100MHz
PER HAND-WORK-03

DRWN	DATE	TITLE
DQ Chen	01-26-05	ELECTRICAL SPECIFICATION
CHKD	DATE	
HQ	01-26-05	S558-5999-46-F

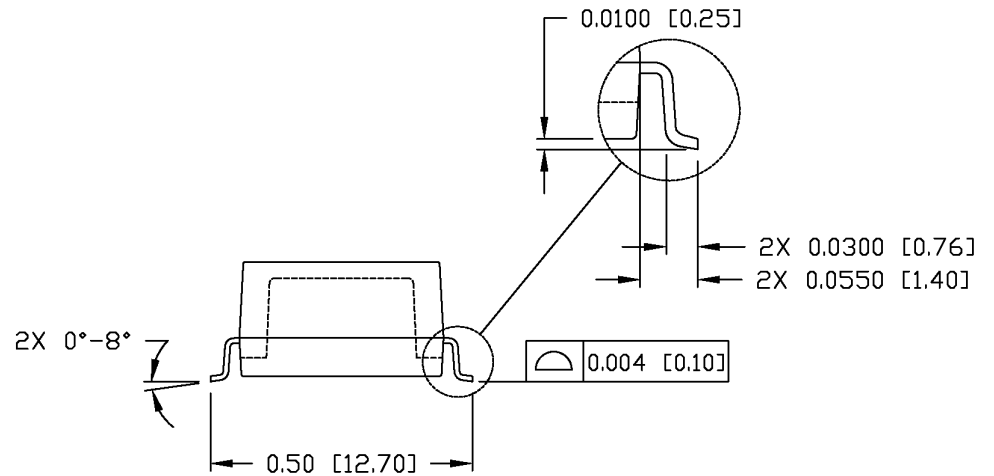
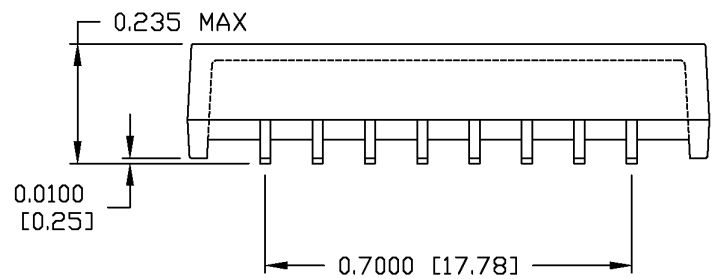
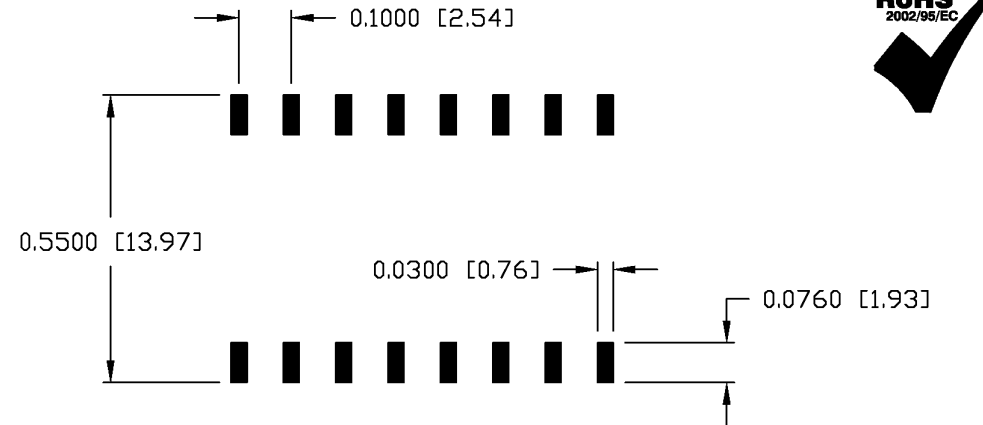
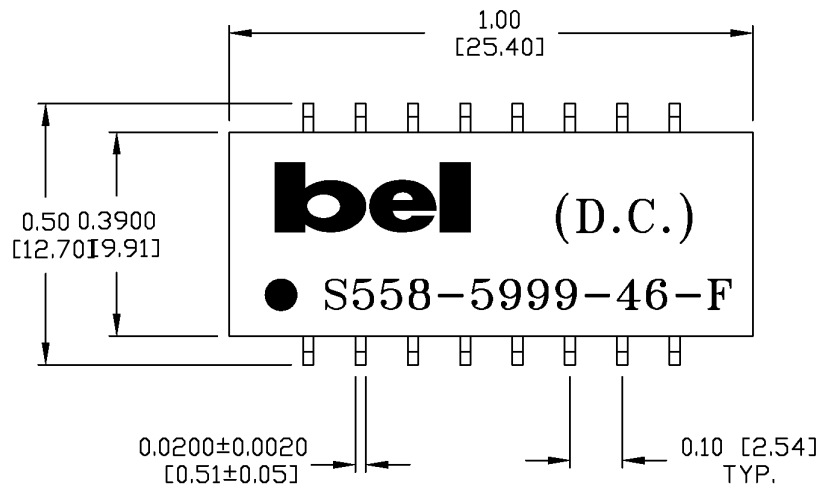
PART NO. / DRAWING NO.	FILE NAME
X558599946-F	X558599946FA.DWG

STANDARD DIM.	[] METRIC DIM. AS REFERENCE
TOL. IN INCH	UNIT : INCH [mm] REV. : A
.X	SCALE : N/A SIZE : A4
.XX	PAGE : 2
.XXX	



THE INFORMATION CONTAINED HEREIN IS CONSIDERED "PROPRIETARY" TO BEL FUSE INC. AND SHALL NOT BE COPIED, REPRODUCED OR DISCLOSED WITHOUT THE WRITTEN APPROVAL OF BEL FUSE INC.

SUGGESTED PCB PAD LAYOUT



NOTES:

- STANDARD MARKING REFER TO DOC. HAND-WORK-04,
- PACKAGE CODE: "RNS001".

DRWN	DATE	TITLE	PART NO. / DRAWING NO.	STANDARD DIM. TOL. IN INCH		[] METRIC DIM. AS REFERENCE		REV. :	bel
				.X		UNIT : INCH [mm]	SIZE : A4		
DQ Chen	01-26-05	MECHANICAL DRAWING	X558599946-F	.XX	±0.01	SCALE : N/A	SIZE : A4	REV. : A	COMPONENTS FOR A CONNECTED PLANET
CHKD	DATE		FILE NAME	.XXX	±0.005	SCALE : N/A	SIZE : A4	PAGE : 3	
HQ	01-26-05	S558-5999-46-F	X558599946FADWG						

FORM NO. - ENG02082001