



Chipsmall Limited consists of a professional team with an average of over 10 year of expertise in the distribution of electronic components. Based in Hongkong, we have already established firm and mutual-benefit business relationships with customers from,Europe,America and south Asia,supplying obsolete and hard-to-find components to meet their specific needs.

With the principle of “Quality Parts,Customers Priority,Honest Operation,and Considerate Service”,our business mainly focus on the distribution of electronic components. Line cards we deal with include Microchip,ALPS,ROHM,Xilinx,Pulse,ON,Everlight and Freescale. Main products comprise IC,Modules,Potentiometer,IC Socket,Relay,Connector.Our parts cover such applications as commercial,industrial, and automotives areas.

We are looking forward to setting up business relationship with you and hope to provide you with the best service and solution. Let us make a better world for our industry!



Contact us

Tel: +86-755-8981 8866 Fax: +86-755-8427 6832

Email & Skype: info@chipsmall.com Web: www.chipsmall.com

Address: A1208, Overseas Decoration Building, #122 Zhenhua RD., Futian, Shenzhen, China



HIGH SPEED LAN MAGNETICS

- Low profile, Type II surface mount packaging, compliant with IEEE 802.3 standards
- Individually designed to function with multiple PHY transceivers
- 225°C peak IR reflow temperature rating
- 350µH OCL (inductance) with 8mA DC bias applied
- 2000 Vrms isolation

ELECTRICALS AT 25°C

Part No.	Insertion Loss (dB) Typ		Return Loss (dB) Min		Crosstalk (dB) Min 1MHz-100MHz	Common to Diff Mode Rej (dB) Min		Common to Common Mode Rej (dB) Min		Schematic	Package Style
	1MHz-100MHz	1MHz-30MHz	30MHz-60MHz	60MHz-80MHz		30MHz	100MHz	30MHz	100MHz		
S558-5999-29	-1.2	-16	16-20log(f/30MHz)	-10	-35	-50	-30	-50	-30	A	3
S558-5999-32	-1.2	-16	16-20log(f/30MHz)	-10	-35	-50	-30	-50	-30	B	3
S558-5999-57	-1.2	-16	16-20log(f/30MHz)	-10	-35	-50	-30	-50	-30	C	3
S558-5999-59	-1.0	-16	16-20log(f/30MHz)	-10	-35	-50	-30	-50	-30	D	2
S558-5999-62	-1.0	-16	16-20log(f/30MHz)	-10	-35	-50	-30	-50	-30	E	3
S558-5999-69	-1.2	-16	16-20log(f/30MHz)	-10	-35	-50	-30	-50	-30	F	3
S558-5999-70	-1.2	-16	16-20log(f/30MHz)	-10	-35	-50	-30	-50	-30	G	3
S558-5999-B3	-1.2	-16	16-20log(f/30MHz)	-10	-35	-50	-30	-50	-30	H	1
S558-5999-D6	-1.2	-16	16-20log(f/30MHz)	-10	-35	-50	-30	-50	-30	I	3
S558-5999-D7	-1.2	-16	16-20log(f/30MHz)	-10	-35	-50	-30	-50	-30	J	3

APPLICATION CHART

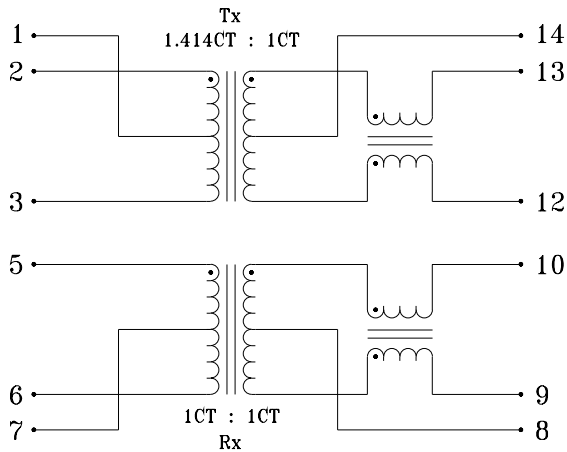
IC Manufacturer	IC Part Number	Bel Part Number
ICS	1890	S558-5999-32
		S558-5999-59
		S558-5999-69
NATIONAL	83840/83223	S558-5999-B3
MICROLINEAR	6692/6694/6698	S558-5999-62
QSI	6611	S558-5999-29
		S558-5999-57
		S558-5999-70
QSI	6612	S558-5999-D6
		S558-5999-D7
SSI/TDK	78Q2120/2121	S558-5999-32
		S558-5999-59
		S558-5999-69

Specifications subject to change without notice.

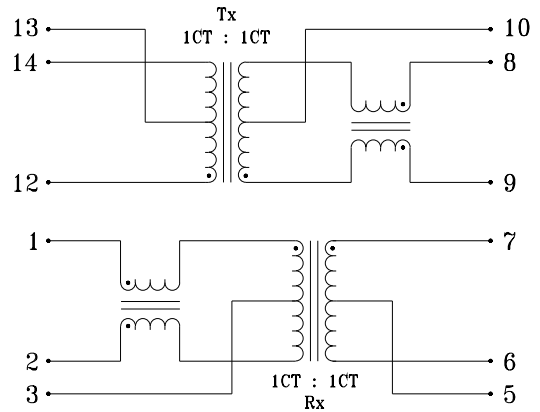
960002D

SCHEMATICS

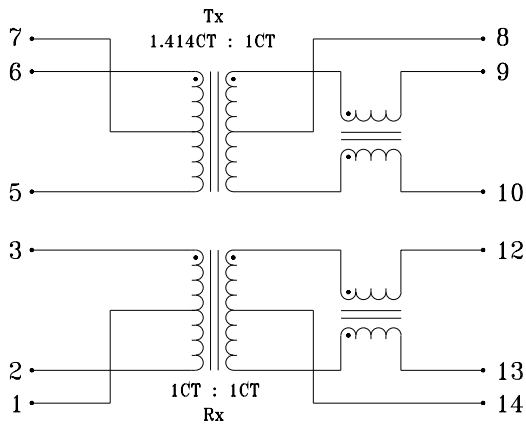
A



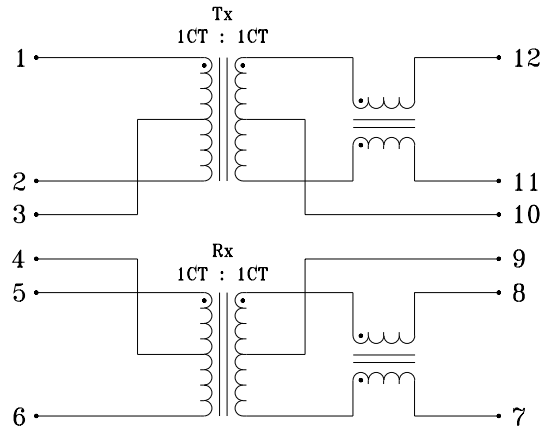
B



C



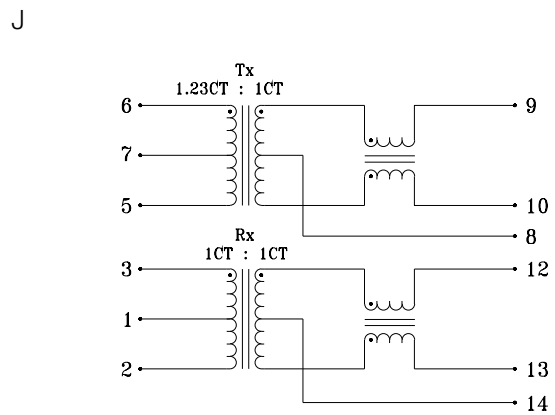
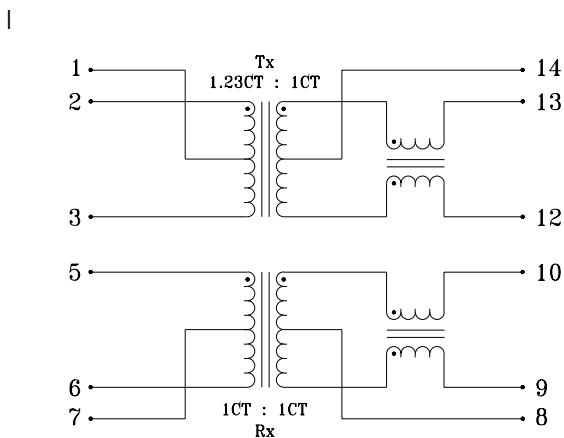
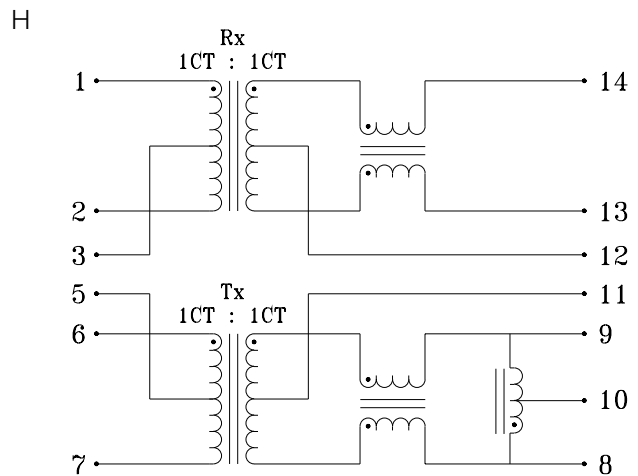
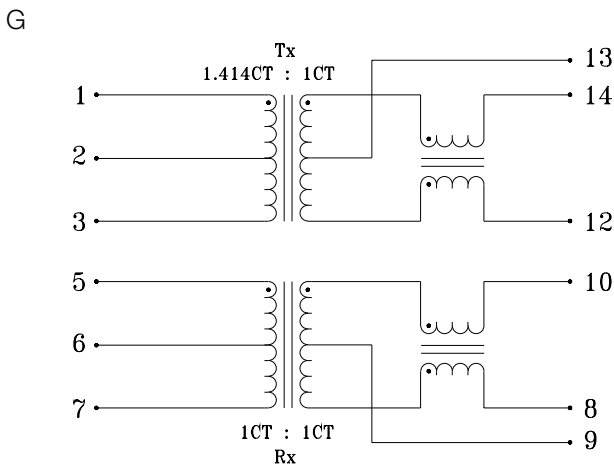
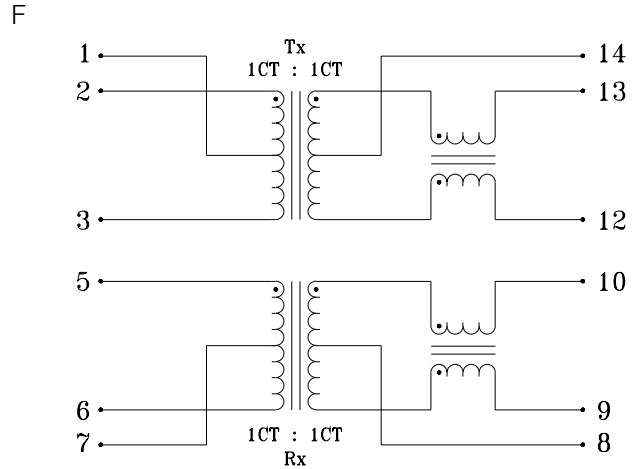
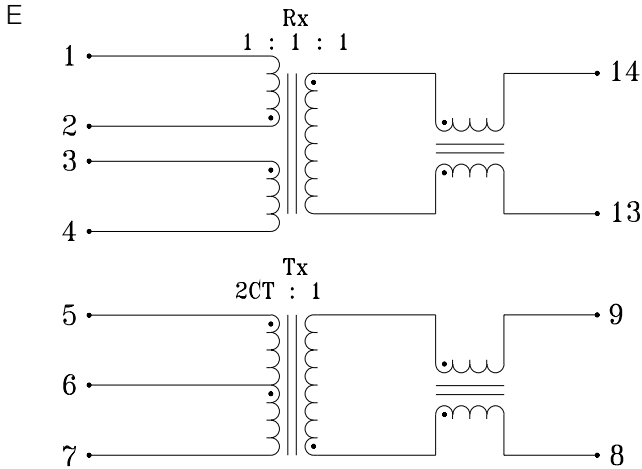
D



Specifications subject to change without notice.

HIGH SPEED LAN MAGNETICS

SCHEMATICS (CONT'D)



Specifications subject to change without notice.



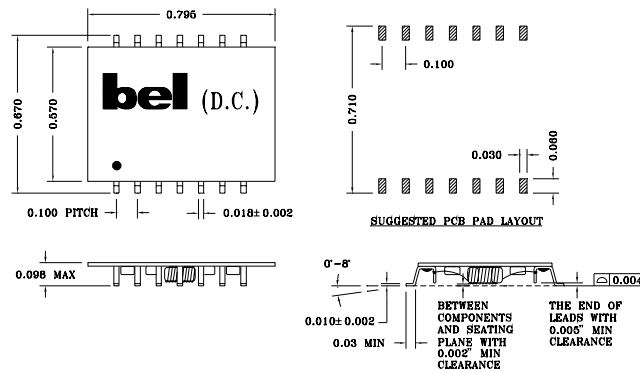
defining a degree of excellence

HIGH SPEED LAN MAGNETICS

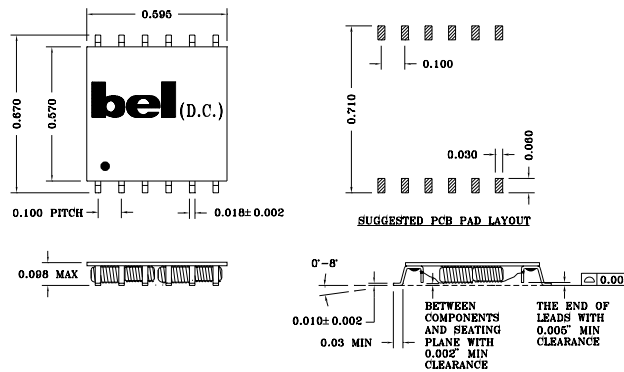
960002D

MECHANICALS

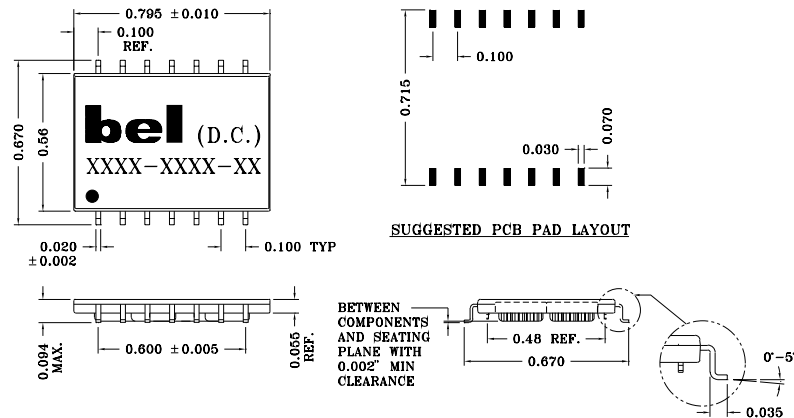
1



2



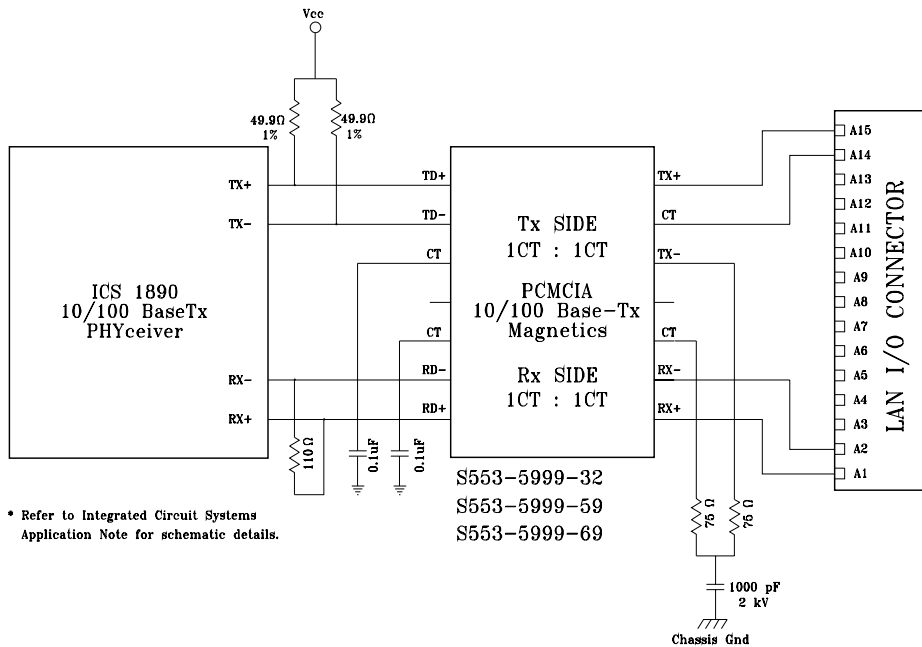
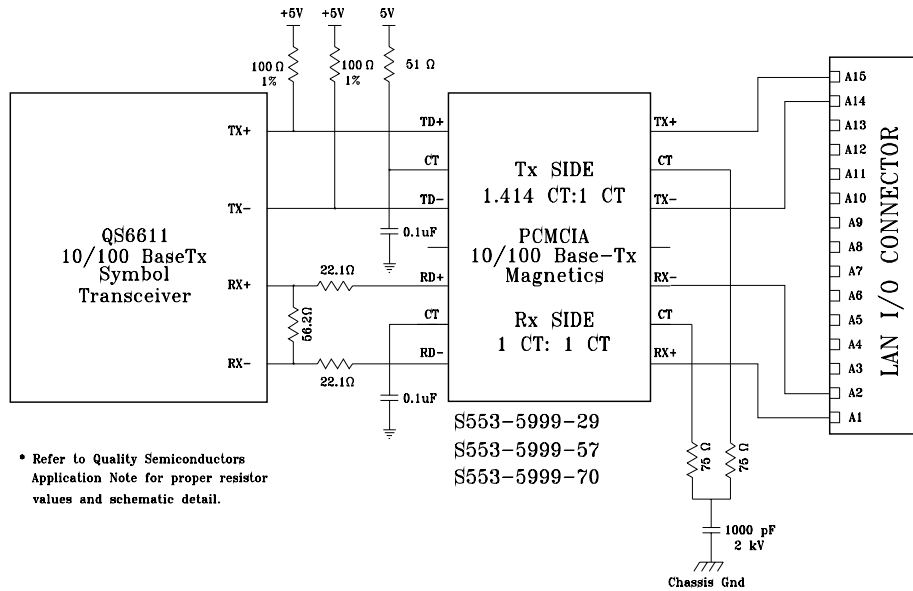
3



Specifications subject to change without notice.

HIGH SPEED LAN MAGNETICS

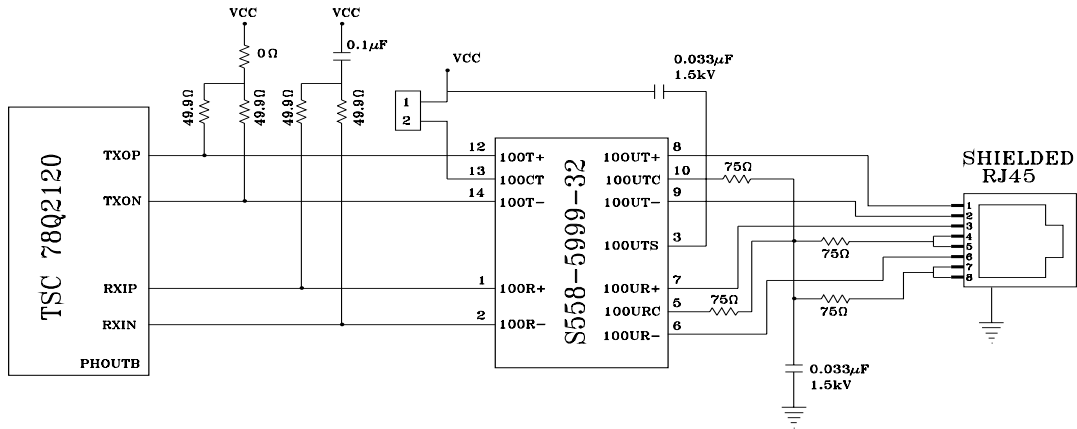
APPLICATION CIRCUITS



Specifications subject to change without notice.

960002D

APPLICATION CIRCUITS (CONT'D)



• Network Interface Card Application

APPLICATION NOTES

- Each Bel part type is designed with high voltage isolation transformers and common mode chokes. The S558-5999-B3 also includes an impedance matched common mode termination. All designs have been created to provide 350μH OCL with 8mA DC bias applied. Consult the Bel short form catalog and request a recommended application circuit for the specific configuration of each individual Bel part type.
- Available with tape and reel packaging.
- For availability and timing of Type I height magnetics modules, please consult the nearest Bel office.
- Additional models are available providing transmit and receive functions in separate packages, S558-5999-A0 and -A1.

Corporate Office

Bel Fuse Inc.

198 Van Vorst Street, Jersey City, NJ 07302-4496
 Tel: 201-432-0463
 Fax: 201-432-9542
 E-Mail: BelFuse@belfuse.com
 Internet: <http://www.belfuse.com>

Far East Office

Bel Fuse Ltd.

8F/8 Luk Hop Street
 San Po Kong
 Kowloon, Hong Kong
 Tel: 852-2328-5515
 Fax: 852-2352-3706

European Office

Bel Fuse Europe Ltd.

Preston Technology Management Centre
 Marsh Lane, Preston PR1 8UD
 Lancashire, U.K.
 Tel: 44-1772-556601
 Fax: 44-1772-888366