



Chipsmall Limited consists of a professional team with an average of over 10 year of expertise in the distribution of electronic components. Based in Hongkong, we have already established firm and mutual-benefit business relationships with customers from,Europe,America and south Asia,supplying obsolete and hard-to-find components to meet their specific needs.

With the principle of “Quality Parts,Customers Priority,Honest Operation,and Considerate Service”,our business mainly focus on the distribution of electronic components. Line cards we deal with include Microchip,ALPS,ROHM,Xilinx,Pulse,ON,Everlight and Freescale. Main products comprise IC,Modules,Potentiometer,IC Socket,Relay,Connector.Our parts cover such applications as commercial,industrial, and automotives areas.

We are looking forward to setting up business relationship with you and hope to provide you with the best service and solution. Let us make a better world for our industry!



## Contact us

Tel: +86-755-8981 8866 Fax: +86-755-8427 6832

Email & Skype: info@chipsmall.com Web: www.chipsmall.com

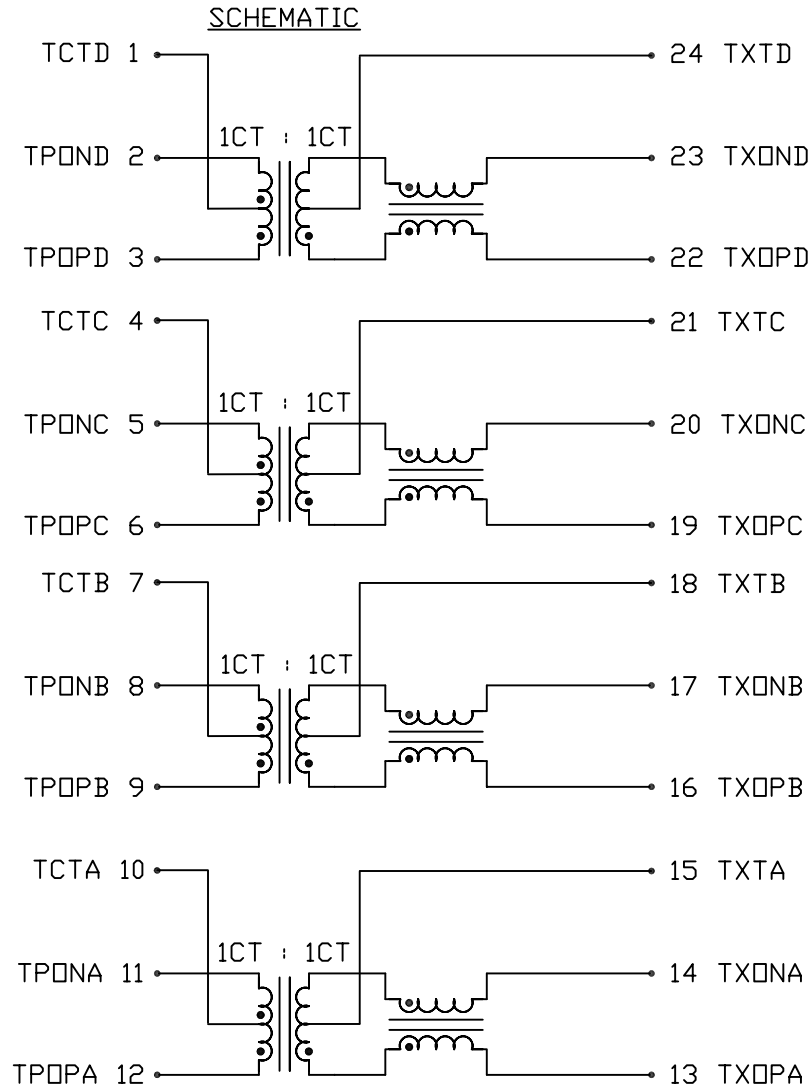
Address: A1208, Overseas Decoration Building, #122 Zhenhua RD., Futian, Shenzhen, China



THE INFORMATION CONTAINED HEREIN IS CONSIDERED 'PROPRIETARY' TO BEL FUSE INC. AND SHALL NOT BE COPIED, REPRODUCED OR DISCLOSED WITHOUT THE WRITTEN APPROVAL OF BEL FUSE INC.

ELECTRICAL CHARACTERISTICS @25°C

RoHS

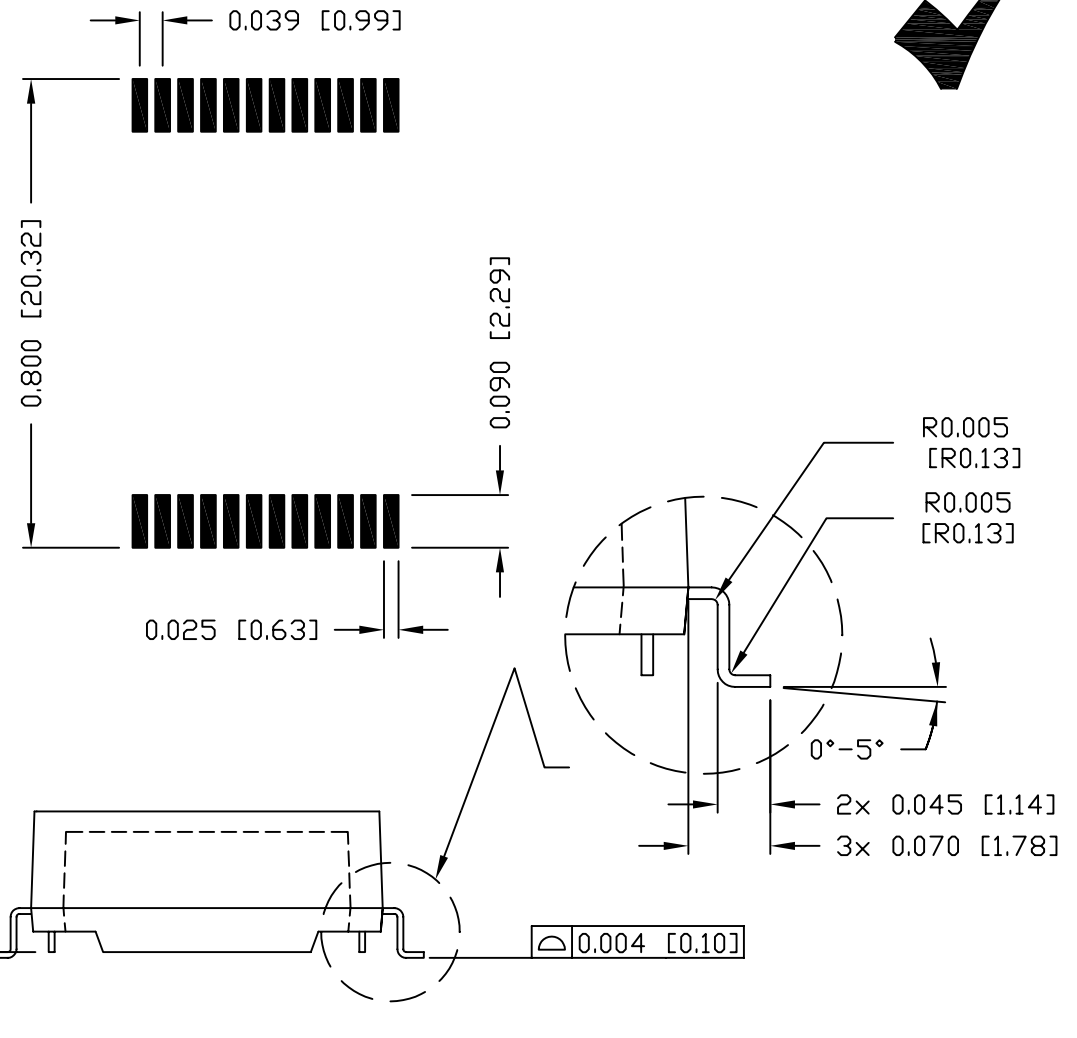
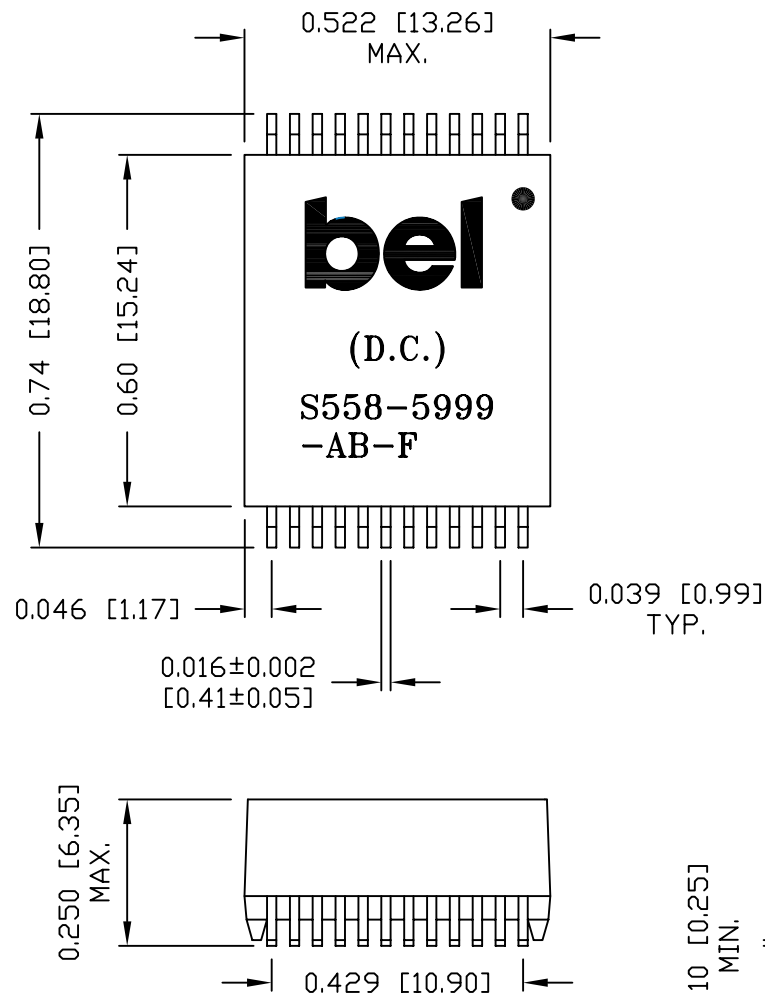


<b>URNS RATIO</b>	(3-1-2) : (22-24-23) (6-4-5) : (19-21-20) (9-7-8) : (16-18-17) (12-10-11) : (13-15-14)	1CT : 1CT 1CT : 1CT 1CT : 1CT 1CT : 1CT
<b>QCL</b>		350μH MIN AT 100kHz, 100mV WITH 8mA DC BIAS @25°C
<b>INSERTION LOSS</b>		1.1dB MAX @0.1 TO 1MHz 0.5dB MAX @1TO 65MHz 1.0dB MAX @80MHz 1.2dB MAX @125MHz
<b>RETURN LOSS</b> UNDER 100 OHM ±15% ENVIRONMENT		18dB MIN @0.5 TO 40 MHz 12-20LOG<f/80MHz> dB MIN @40 TO 100 MHz
<b>COMMON TO COMMON REJECTION</b>		30dB MIN @0.1 TO 100 MHz
<b>CROSSTALK</b>		@1 TO 100 MHz 33-20LOG<F/100 MHz> dB MIN
<b>HIPOT</b>		PER HAND-WORK-03
<b>OPERATION TEMPERATURE:</b>		-40°C TO 85°C

<b>ORIGINATED BY</b> Alice Pang		<b>DATE</b> 2015-01-26	<b>TITLE</b> GIGABIT ETHERNET MAGNETICS S558-5999-AB-F	<b>PART NO. / DRAWING NO.</b> X5585999AB-F	<b>STANDARD DIM.</b> TOL. IN INCH	<b>[ ] METRIC DIM. AS REF.</b>		<b>REV. : C</b>	<b>PAGE : 2</b>
<b>DRAWN BY</b> ZC Guo		<b>DATE</b> 2015-01-26		<b>FILE NAME</b> X5585999ABFC.DWG	.X	UNIT : INCH [mm]			
					.XX	SCALE : N/A			
				.XXX			SIZE : A4	 POWER   PROTECT   CONNECT	

THE INFORMATION CONTAINED HEREIN IS CONSIDERED "PROPRIETARY" TO BEL FUSE INC. AND SHALL NOT BE COPIED, REPRODUCED OR DISCLOSED WITHOUT THE WRITTEN APPROVAL OF BEL FUSE INC.

SUGGESTED PCB PAD LAYOUT



NOTES:

1. STANDARD MARKING REFER TO DOC. HAND-WORK-04.
2. PACKAGE CODE: "QTS001".

REV. : C	PAGE : 3	
		STANDARD DIM. [ ] METRIC DIM. AS REF.
		TOL. IN INCH
.X	UNIT : INCH [mm]	
.XX ±0.01	SCALE : N/A	
.XXX ±0.005	SIZE : A4	

ORIGINATED BY	DATE	TITLE	PART NO. / DRAWING NO.	STANDARD DIM. [ ] METRIC DIM. AS REF.		
Lawrence Tsang	2015-01-26	MECHANICAL DRAWING S558-5999-AB-F	X5585999AB-F	TOL. IN INCH		
DRAWN BY	DATE		FILE NAME	.X		
ZC Guo	2015-01-26		X5585999ABFC.DWG	.XX ±0.01		
				.XXX ±0.005		