



Chipsmall Limited consists of a professional team with an average of over 10 year of expertise in the distribution of electronic components. Based in Hongkong, we have already established firm and mutual-benefit business relationships with customers from,Europe,America and south Asia,supplying obsolete and hard-to-find components to meet their specific needs.

With the principle of “Quality Parts,Customers Priority,Honest Operation,and Considerate Service”,our business mainly focus on the distribution of electronic components. Line cards we deal with include Microchip,ALPS,ROHM,Xilinx,Pulse,ON,Everlight and Freescale. Main products comprise IC,Modules,Potentiometer,IC Socket,Relay,Connector.Our parts cover such applications as commercial,industrial, and automotives areas.

We are looking forward to setting up business relationship with you and hope to provide you with the best service and solution. Let us make a better world for our industry!



## Contact us

Tel: +86-755-8981 8866 Fax: +86-755-8427 6832

Email & Skype: info@chipsmall.com Web: www.chipsmall.com

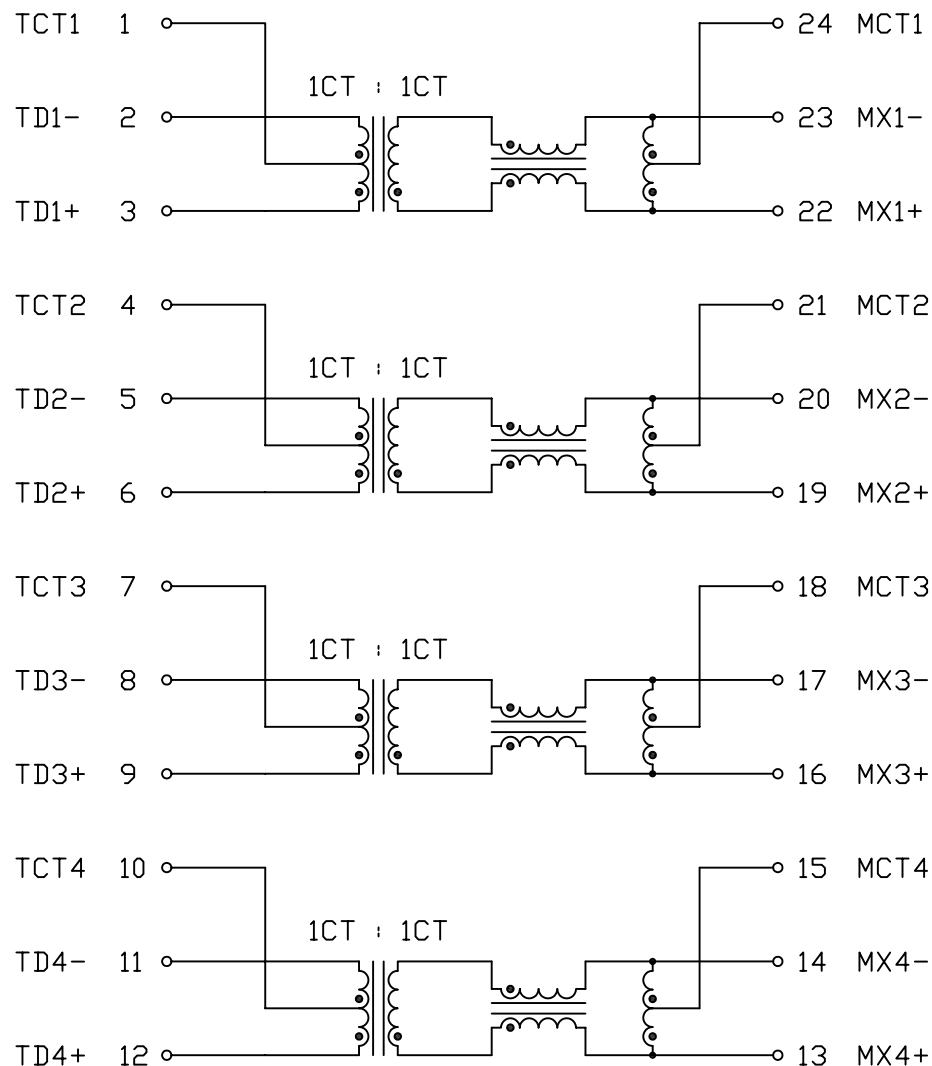
Address: A1208, Overseas Decoration Building, #122 Zhenhua RD., Futian, Shenzhen, China



THE INFORMATION CONTAINED HEREIN IS CONSIDERED "PROPRIETARY" TO BEL FUSE INC. AND SHALL NOT BE COPIED, REPRODUCED OR DISCLOSED WITHOUT THE WRITTEN APPROVAL OF BEL FUSE INC.



SCHEMATIC



ELECTRICAL CHARACTERISTICS @25°C

URNS RATIO

(3-1-2) : (22-24-23)  
 (6-4-5) : (19-21-20)  
 (9-7-8) : (16-18-17)  
 (12-10-11) : (13-15-14)

1CT : 1CT  
 1CT : 1CT  
 1CT : 1CT  
 1CT : 1CT

POLARITY

PER DOT CONVENTION

□CL

(23-22), (20-19)  
 (17-16), (14-13)

350μH MIN @100kHz, 100mV  
 WITH 8mA DC BIAS  
 -40°C TO +85°C

OPERATING TEMPERATURE

INSERTION LOSS

1.1dB MAX @0.1 TO 1MHz  
 1.0dB MAX @1 TO 100MHz

COMMON TO COMMON MODE REJECTION

22.0dB MIN @30MHz  
 23.0dB MIN @50MHz  
 20.5dB MIN @80MHz  
 20.0dB MIN @100MHz

RETURN LOSS

UNDER 100 OHM ±15% ENVIRONMENT

18dB MIN @0.5 TO 40MHz  
 12-20LOG (f/80MHz) MIN  
 @40 TO 100MHz

CROSSTALK

33-20LOG (f/100MHz) dB MIN  
 @1-100MHz

HIPOT

PER HAND-WORK-03

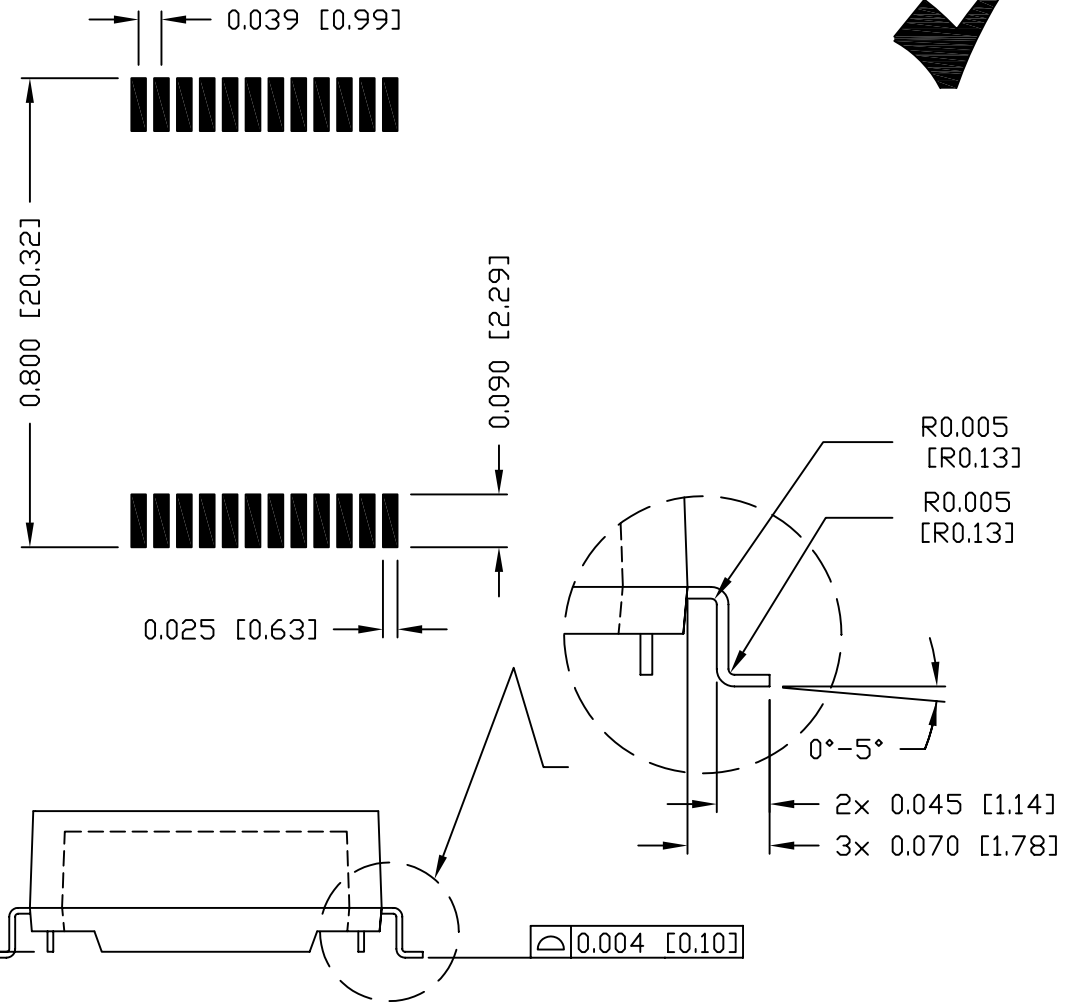
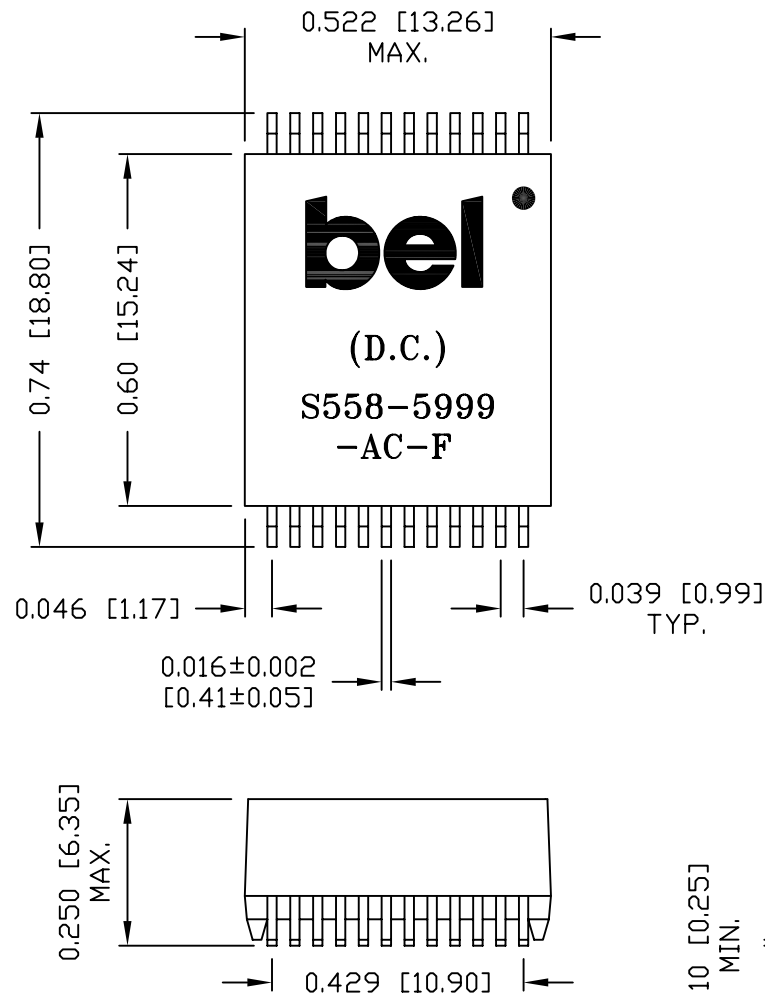
REV. : C PAGE : 2

ORIGINATED BY	DATE	TITLE	PART NO. / DRAWING NO.	STANDARD DIM.	[ ] METRIC DIM. AS REF.
Alice Pang	2015-01-26	ELECTRICAL SPECIFICATION S558-5999-AC-F	X5585999AC-F	TOL. IN INCH	UNIT : INCH [mm]
DRAWN BY	DATE		FILE NAME	.X	SCALE : N/A
ZC Guo	2015-01-26		X5585999ACFC.DWG	.XX	SIZE : A4
				.XXX	



THE INFORMATION CONTAINED HEREIN IS CONSIDERED 'PROPRIETARY' TO BEL FUSE INC. AND SHALL NOT BE COPIED, REPRODUCED OR DISCLOSED WITHOUT THE WRITTEN APPROVAL OF BEL FUSE INC.

SUGGESTED PCB PAD LAYOUT



NOTES:

- STANDARD MARKING REFER TO DDC. HAND-WORK-04.
- PACKAGE CODE: "QTS001".

ORIGINATED BY		DATE	TITLE  MECHANICAL DRAWING  S558-5999-AC-F	PART NO. / DRAWING NO.		STANDARD DIM.		[ ] METRIC DIM. AS REF.		REV. : C	PAGE : 3
Lawrence Tsang		2015-01-26		X5585999AC-F		TOL. IN INCH		UNIT : INCH [mm]			
DRAWN BY		DATE		FILE NAME		.X		SCALE : N/A			
ZC Guo		2015-01-26	X5585999ACFC.DWG		.XX ±0.01		SIZE : A4				
					.XXX ±0.005						