



Chipsmall Limited consists of a professional team with an average of over 10 year of expertise in the distribution of electronic components. Based in Hongkong, we have already established firm and mutual-benefit business relationships with customers from,Europe,America and south Asia,supplying obsolete and hard-to-find components to meet their specific needs.

With the principle of “Quality Parts,Customers Priority,Honest Operation,and Considerate Service”,our business mainly focus on the distribution of electronic components. Line cards we deal with include Microchip,ALPS,ROHM,Xilinx,Pulse,ON,Everlight and Freescale. Main products comprise IC,Modules,Potentiometer,IC Socket,Relay,Connector.Our parts cover such applications as commercial,industrial, and automotives areas.

We are looking forward to setting up business relationship with you and hope to provide you with the best service and solution. Let us make a better world for our industry!



Contact us

Tel: +86-755-8981 8866 Fax: +86-755-8427 6832

Email & Skype: info@chipsmall.com Web: www.chipsmall.com

Address: A1208, Overseas Decoration Building, #122 Zhenhua RD., Futian, Shenzhen, China

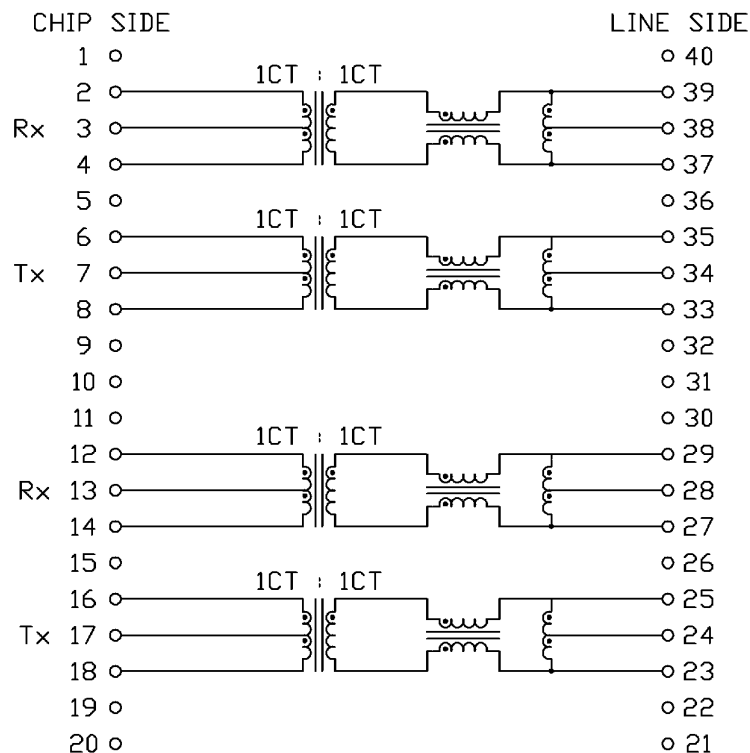


THE INFORMATION CONTAINED HEREIN IS CONSIDERED "PROPRIETARY" TO BEL FUSE INC. AND SHALL NOT BE COPIED, REPRODUCED OR DISCLOSED WITHOUT THE WRITTEN APPROVAL OF BEL FUSE INC.



ELECTRICAL CHARACTERISTICS @ 25°C

SCHEMATIC



URNS RATIO	1CT : 1CT
DCL	350 μ H MIN. @ 100kHz, 100mV WITH 8mA DC BIAS
LEAKAGE INDUCTANCE (LL)	0.35 μ H MAX. @1MHz, 20mV
INTERWINDING CAP (Cw/w)	25 pF MAX. @1MHz, 20mV
DC RESISTANCE	
LINE SIDE	1.0 Ω MAX.
CHIP SIDE	1.4 Ω MAX.
INSERTION LOSS	1.5dB MAX. @100kHz TO 100MHz
RETURN LOSS	
MEASURED UNDER	16dB MIN. @2MHz TO 30MHz
100 Ω ENVIRONMENT	10dB MIN. @60MHz TO 80MHz
HIPOT	PER HAND-WORK-03
OPERATING TEMPERATURE	-40°C TO 85°C

ORIGINATED BY	DATE	TITLE	PART NO. / DRAWING NO.	STANDARD DIM.	[] METRIC DIM. AS REFERENCE	
HQ	02-13-07	ELECTRICAL SPECIFICATION S558-5999-AF-F	X5585999AF-F	TOL. IN INCH	UNIT : INCH [mm]	REV. : A
DRAWN BY	DATE		FILE NAME	.X	SCALE : N/A	SIZE : A4
DQ Chen	02-13-07		X5585999AFFA.DWG	.XX		PAGE : 2
				.XXX		

DC002(2)032305

This document is electronically generated. This is a controlled copy if used internally

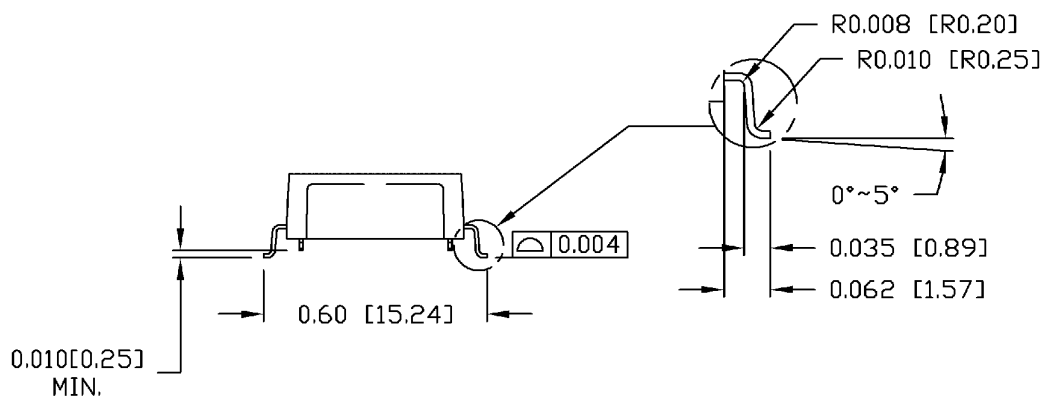
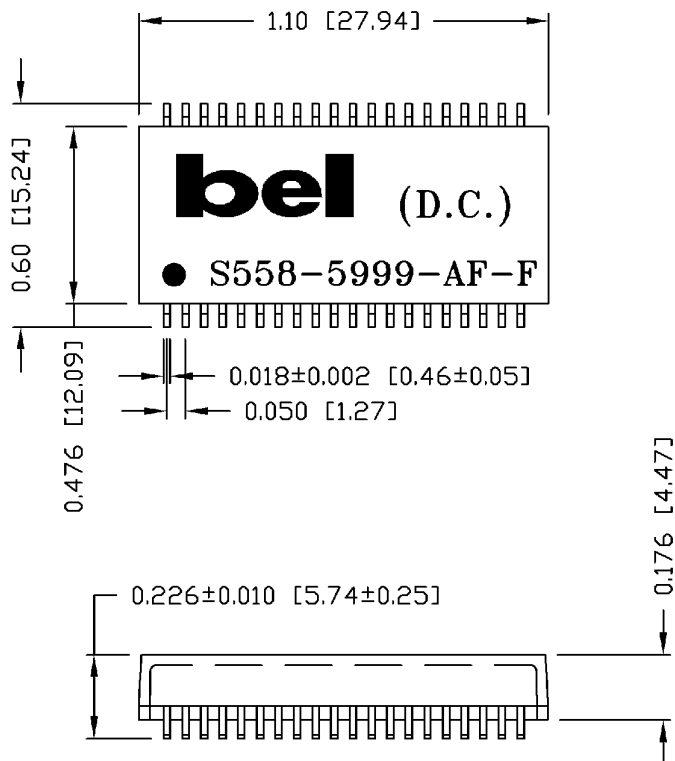
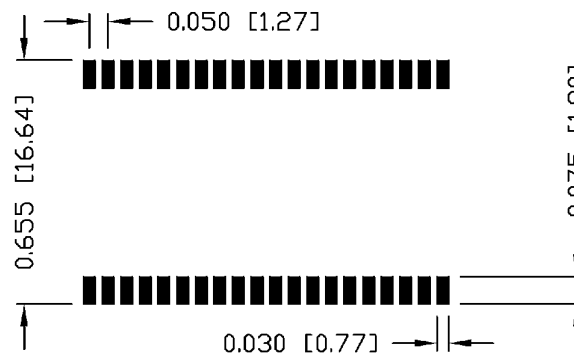


THE INFORMATION CONTAINED HEREIN IS CONSIDERED "PROPRIETARY" TO BEL FUSE INC. AND SHALL NOT BE COPIED, REPRODUCED OR DISCLOSED WITHOUT THE WRITTEN APPROVAL OF BEL FUSE INC.

RoHS
2002/95/EC



SUGGESTED PCB PAD LAYOUT



NOTES:

1. STANDARD MARKING REFER TO DOC. HAND-WORK-04.
2. PACKAGE CODE: "RRS001".

ORIGINATED BY Lawrence	DATE 02-13-07	TITLE MECHANICAL OUTLINE S558-5999-AF-F	PART NO. / DRAWING NO. X5585999AF-F	STANDARD DIM. TOL. IN INCH	[] METRIC DIM. AS REFERENCE	 COMPONENTS FOR A CONNECTED PLANET
DRAWN BY DQ Chen	DATE 02-13-07		FILE NAME X5585999AFFA.DWG	.X ±0.01 .XX ±0.005 .XXX	UNIT : INCH [mm] SCALE : N/A	