



Chipsmall Limited consists of a professional team with an average of over 10 year of expertise in the distribution of electronic components. Based in Hongkong, we have already established firm and mutual-benefit business relationships with customers from,Europe,America and south Asia,supplying obsolete and hard-to-find components to meet their specific needs.

With the principle of “Quality Parts,Customers Priority,Honest Operation,and Considerate Service”,our business mainly focus on the distribution of electronic components. Line cards we deal with include Microchip,ALPS,ROHM,Xilinx,Pulse,ON,Everlight and Freescale. Main products comprise IC,Modules,Potentiometer,IC Socket,Relay,Connector.Our parts cover such applications as commercial,industrial, and automotives areas.

We are looking forward to setting up business relationship with you and hope to provide you with the best service and solution. Let us make a better world for our industry!



Contact us

Tel: +86-755-8981 8866 Fax: +86-755-8427 6832

Email & Skype: info@chipsmall.com Web: www.chipsmall.com

Address: A1208, Overseas Decoration Building, #122 Zhenhua RD., Futian, Shenzhen, China

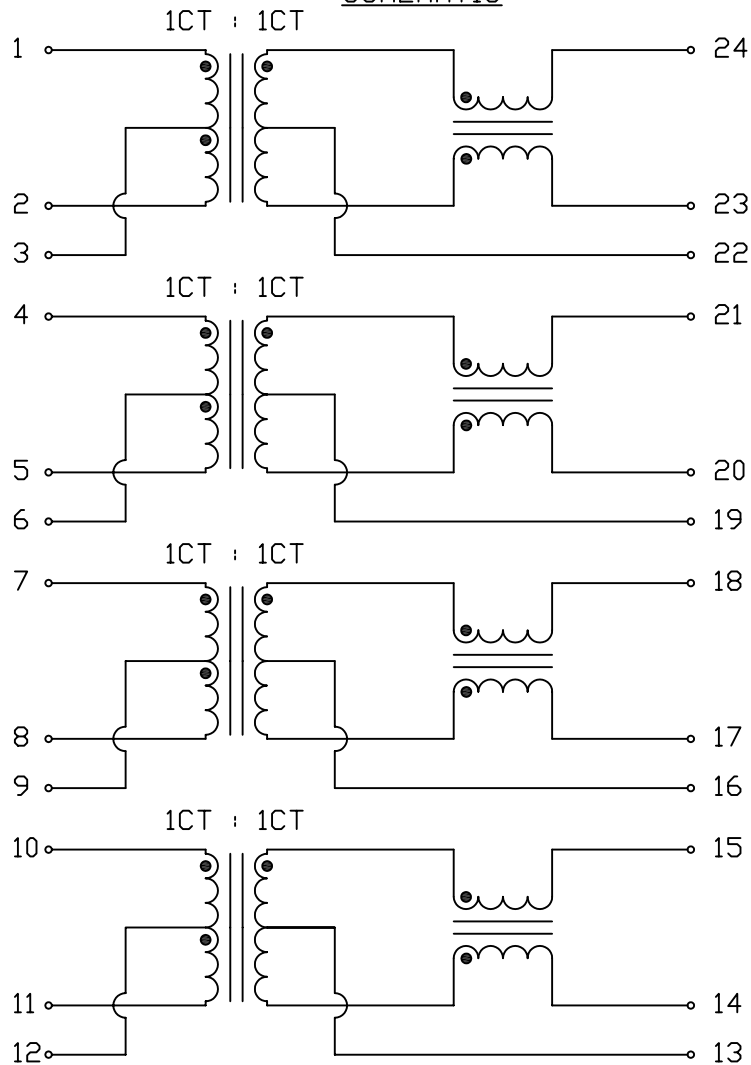


THE INFORMATION CONTAINED HEREIN IS CONSIDERED "PROPRIETARY" TO BEL FUSE INC. AND SHALL NOT BE COPIED, REPRODUCED OR DISCLOSED WITHOUT THE WRITTEN APPROVAL OF BEL FUSE INC.



SCHEMATIC

ELECTRICAL CHARACTERISTICS @25°C



| | |
|----------------------------|---|
| URNS RATIO | 1CT : 1CT |
| PHASE | 1 TO 24, 4 TO 21, 7 TO 18, 10 TO 15 IN PHASE |
| □CL : | 350uH MIN. AT 100kHz, 100mV (1-2), (4-5), (7-8), (10-11) WITH 8mA DC BIAS, FROM 0 -70°C |
| INSERTION LOSS | 1.0dB MAX. @ 1MHZ TO 100MHZ 1.5dB MAX. @ 125MHZ |
| RETURN LOSS | 18dB MIN. @ 1-30MHZ 15dB MIN. @ 60MHZ 12dB MIN. @ 80MHZ 10dB MIN. @ 100MHZ MEASURED UNDER A 100 Ω I/□ |
| CROSSTALK | 10-100 MHz 35 dB MIN. |
| COMMON TO COMMON REJECTION | 30 dB MIN. AT 100kHz TO 155MHZ |
| HIPOT | PER HAND-WORK-03 |

| | |
|---------------|------------|
| ORIGINATED BY | DATE |
| Alice Pang | 2015-01-28 |
| DRAWN BY | DATE |
| ZC Guo | 2015-01-28 |

| |
|--------------------------|
| TITLE |
| ELECTRICAL SPECIFICATION |
| S558-5999-AM-F |

| |
|------------------------|
| PART NO. / DRAWING NO. |
| X5585999AM-F |
| FILE NAME |
| X5585999AMFB.DWG |

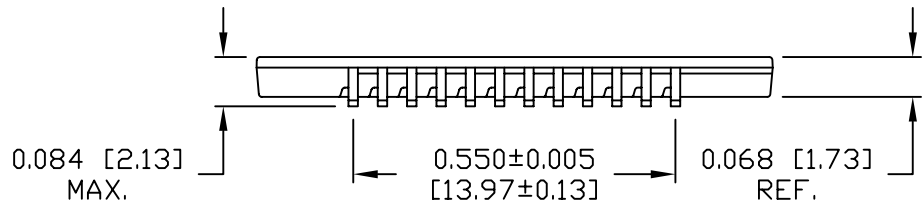
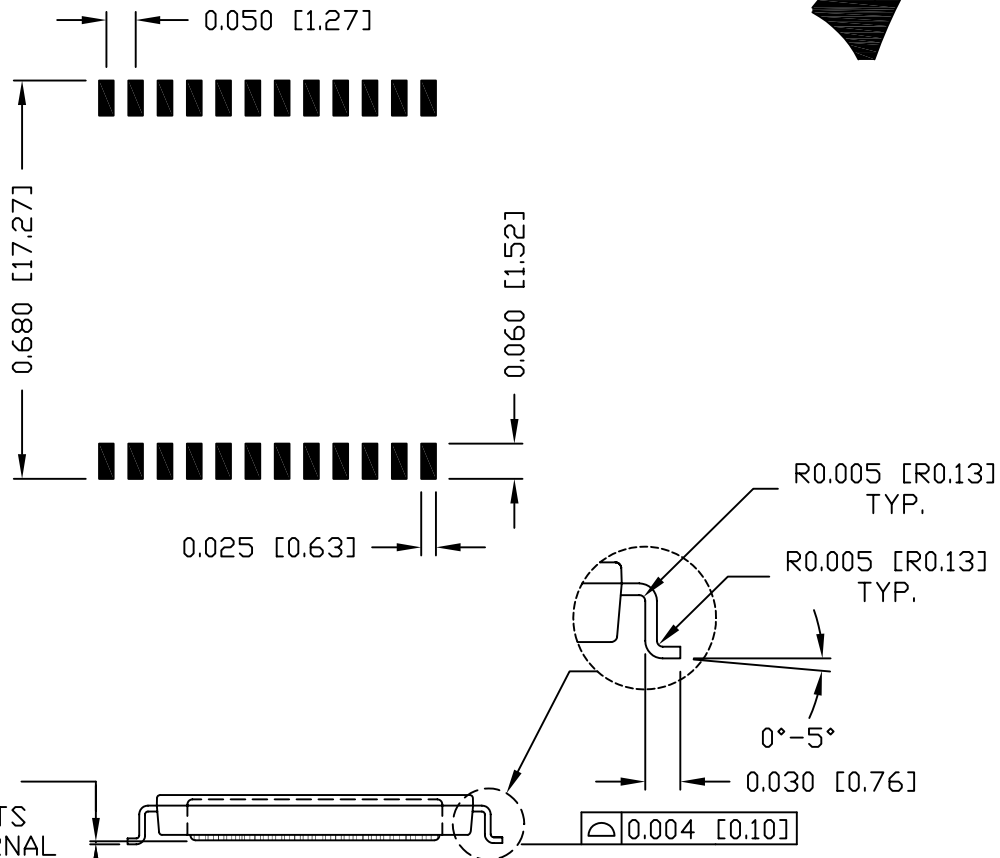
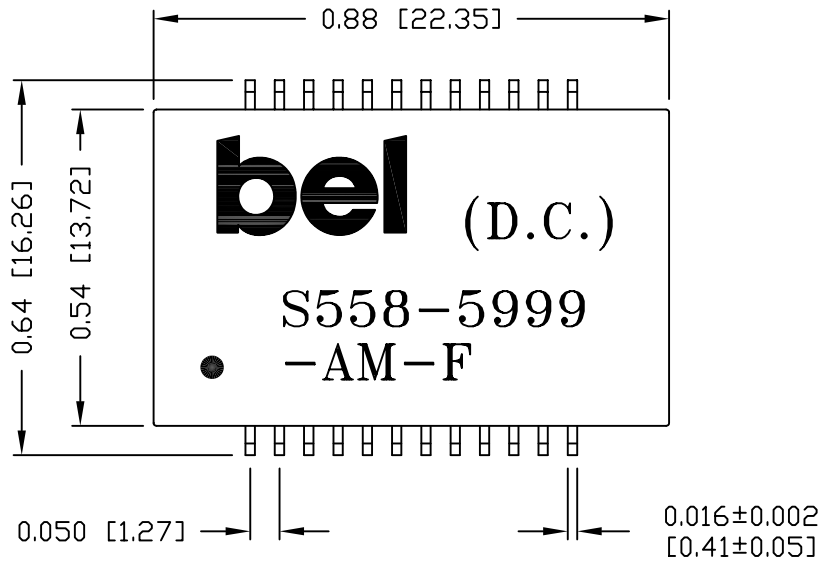
| | |
|---------------|-------------------------|
| STANDARD DIM. | [] METRIC DIM. AS REF. |
| TOL. IN INCH | UNIT : INCH [mm] |
| .X | SCALE : N/A |
| .XX | SIZE : A4 |
| .XXX | |

| | |
|----------|----------|
| REV. : B | PAGE : 2 |
| | |

THE INFORMATION CONTAINED HEREIN IS CONSIDERED "PROPRIETARY" TO BEL FUSE INC. AND SHALL NOT BE COPIED, REPRODUCED OR DISCLOSED WITHOUT THE WRITTEN APPROVAL OF BEL FUSE INC.




SUGGESTED PCB PAD LAYOUT



BETWEEN COMPONENTS AND INTERNAL LEADS TO SEATING PLANE WITH 0.002" MIN CLEARANCE

NOTES:

- STANDARD MARKING REFER TO DOC. HAND-WORK-04.
- PACKAGE CODE: "RJS001".

| | |
|--|----------|
| REV. : B | PAGE : 3 |
|  POWER PROTECT CONNECT | |

| | | | | | |
|----------------|------------|--------------------------------------|------------------------|---------------|-------------------------|
| ORIGINATED BY | DATE | TITLE | PART NO. / DRAWING NO. | STANDARD DIM. | [] METRIC DIM. AS REF. |
| Lawrence Tsang | 2015-01-28 | MECHANICAL DRAWING S558-5999-AM-F | X5585999AM-F | TOL. IN INCH | UNIT : INCH [mm] |
| DRAWN BY | DATE | | FILE NAME | .X | SCALE : N/A |
| ZC Guo | 2015-01-28 | | X5585999AMFB.DWG | .XX ±0.01 | SIZE : A4 |
| | | | | .XXX ±0.005 | |