



Chipsmall Limited consists of a professional team with an average of over 10 year of expertise in the distribution of electronic components. Based in Hongkong, we have already established firm and mutual-benefit business relationships with customers from,Europe,America and south Asia,supplying obsolete and hard-to-find components to meet their specific needs.

With the principle of "Quality Parts,Customers Priority,Honest Operation,and Considerate Service",our business mainly focus on the distribution of electronic components. Line cards we deal with include Microchip,ALPS,ROHM,Xilinx,Pulse,ON,Everlight and Freescale. Main products comprise IC,Modules,Potentiometer,IC Socket,Relay,Connector.Our parts cover such applications as commercial,industrial, and automotives areas.

We are looking forward to setting up business relationship with you and hope to provide you with the best service and solution. Let us make a better world for our industry!



Contact us

Tel: +86-755-8981 8866 Fax: +86-755-8427 6832

Email & Skype: info@chipsmall.com Web: www.chipsmall.com

Address: A1208, Overseas Decoration Building, #122 Zhenhua RD., Futian, Shenzhen, China

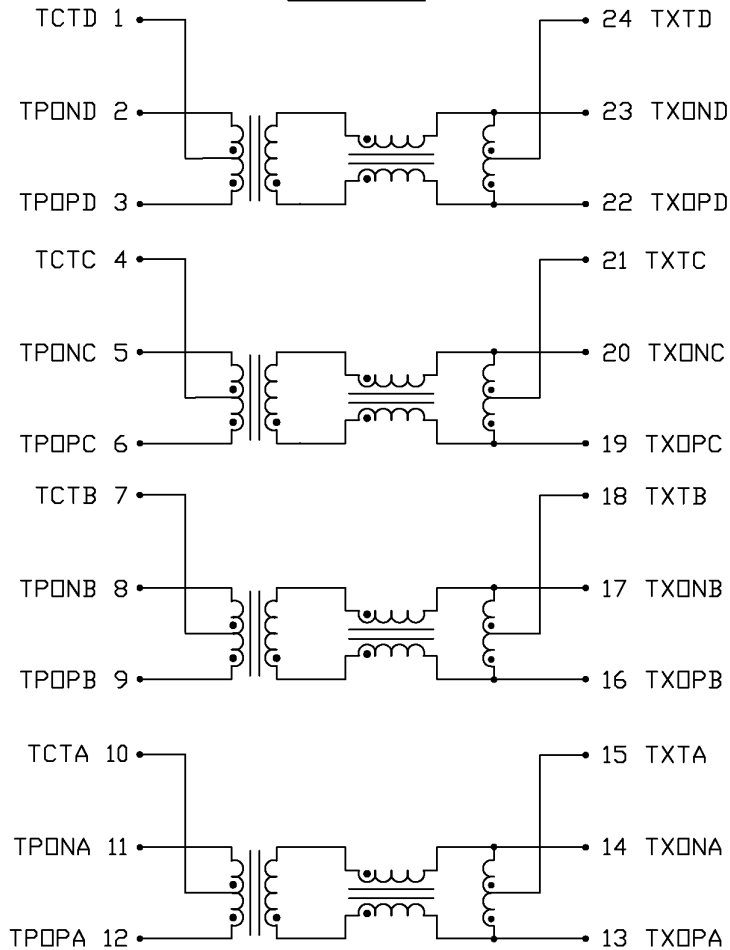


THE INFORMATION CONTAINED HEREIN IS CONSIDERED "PROPRIETARY" TO BEL FUSE INC. AND SHALL NOT BE COPIED, REPRODUCED OR DISCLOSED WITHOUT THE WRITTEN APPROVAL OF BEL FUSE INC.



ELECTRICAL CHARACTERISTICS

SCHEMATIC



TURNS RATIO
 PINK(3-1-2) : (22-24-23) 1CT : 1CT
 PINK(6-4-5) : (19-21-20) 1CT : 1CT
 PINK(9-7-8) : (16-18-17) 1CT : 1CT
 PINK(12-10-11) : (13-15-14) 1CT : 1CT

OCL 350μH MIN. AT 100kHz, 100mV
 -40°C TO +85°C WITH 8mA DC BIAS

INSERTION LOSS
 1.1dB MAX. @ 0.1 MHz
 0.5dB MAX. @ 1 MHz
 0.8dB MAX. @ 65 MHz
 1.0dB MAX. @ 100 MHz
 1.5dB MAX. @ 125 MHz

RETURN LOSS 18dB MIN. @ 0.5 TO 40 MHz
 UNDER 100 OHMS 12-20LOG (f/80 MHz) dBMIN.
 ±15% ENVIRONMENT @ 40 TO 100 MHz

COMMON TO COMMON REJECTION 30dB MIN. @ 0.1 TO 100 MHz

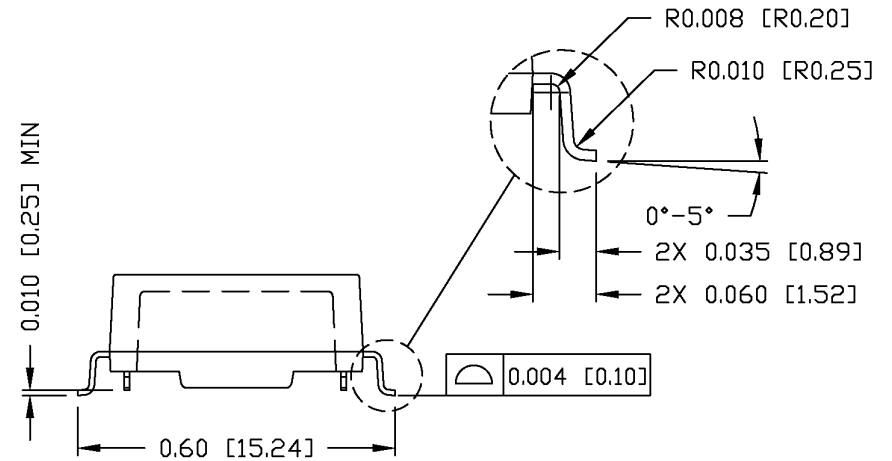
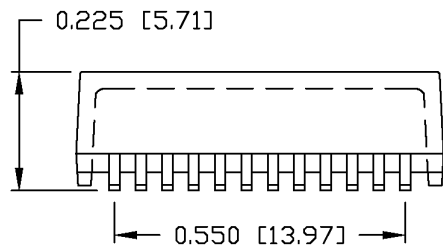
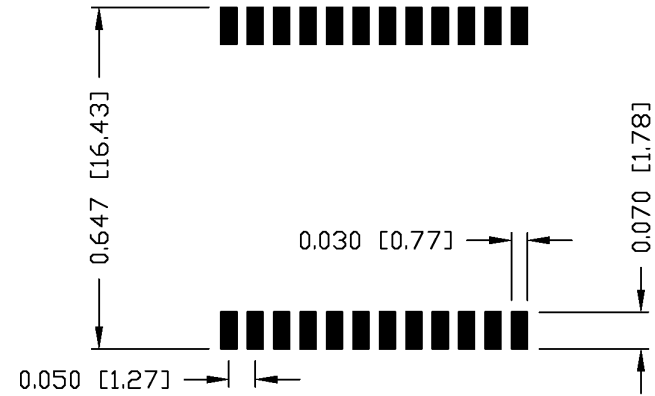
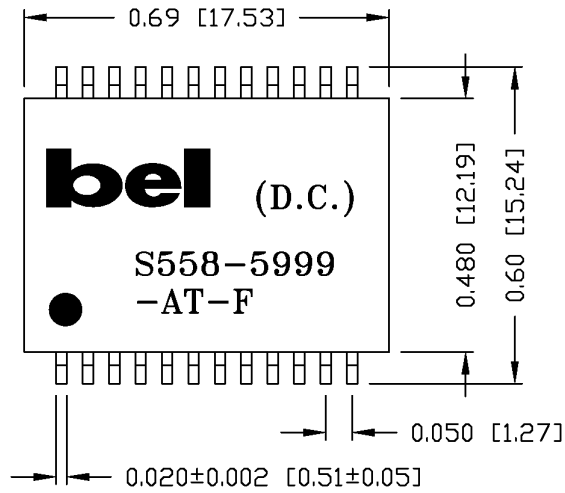
CROSSTALK @ 1-100 MHz
 33-20LOG (f/100 MHz) dB MIN.

HIPOT PER HAND-WORK-03

ORIGINATED BY HQ	DATE 04-12-06	TITLE 1000BASE-T MAGNETIC MODULES S558-5999-AT-F	PART NO. / DRAWING NO. X5585999AT-F	STANDARD DIM. TOL. IN INCH	[] METRIC DIM. AS REFERENCE	 COMPONENTS ON A CONNECTED PLANET
DRAWN BY DQ Chen	DATE 04-12-06	FILE NAME X5585999ATFA.DWG	.X	UNIT : INCH [mm]	REV. : A	
			.XX	SCALE : N/A	SIZE : A4	
			.XXX		PAGE : 2	

THE INFORMATION CONTAINED HEREIN IS CONSIDERED "PROPRIETARY" TO BEL FUSE INC. AND SHALL NOT BE COPIED, REPRODUCED OR DISCLOSED WITHOUT THE WRITTEN APPROVAL OF BEL FUSE INC.

SUGGESTED PCB PAD LAYOUT



NOTES:

- STANDARD MARKING REFER TO DOC. HAND-WORK-04.
- PACKAGE CODE: "RQS001".

ORIGINATED BY	DATE	TITLE	PART NO. / DRAWING NO.	STANDARD DIM. TOL. IN INCH	[] METRIC DIM. AS REFERENCE	
Lawrence	04-12-06	MECHANICAL DRAWING S558-5999-AT-F	X5585999AT-F	.X	UNIT : INCH [mm]	REV. : A
DRAWN BY	DATE		FILE NAME	.XX ±0.01	SCALE : N/A	SIZE : A4
DQ Chen	04-12-06		X5585999ATFA.DWG	.XXX ±0.005	SCALE : N/A	PAGE : 3

