



Chipsmall Limited consists of a professional team with an average of over 10 year of expertise in the distribution of electronic components. Based in Hongkong, we have already established firm and mutual-benefit business relationships with customers from,Europe,America and south Asia,supplying obsolete and hard-to-find components to meet their specific needs.

With the principle of “Quality Parts,Customers Priority,Honest Operation,and Considerate Service”,our business mainly focus on the distribution of electronic components. Line cards we deal with include Microchip,ALPS,ROHM,Xilinx,Pulse,ON,Everlight and Freescale. Main products comprise IC,Modules,Potentiometer,IC Socket,Relay,Connector.Our parts cover such applications as commercial,industrial, and automotives areas.

We are looking forward to setting up business relationship with you and hope to provide you with the best service and solution. Let us make a better world for our industry!



Contact us

Tel: +86-755-8981 8866 Fax: +86-755-8427 6832

Email & Skype: info@chipsmall.com Web: www.chipsmall.com

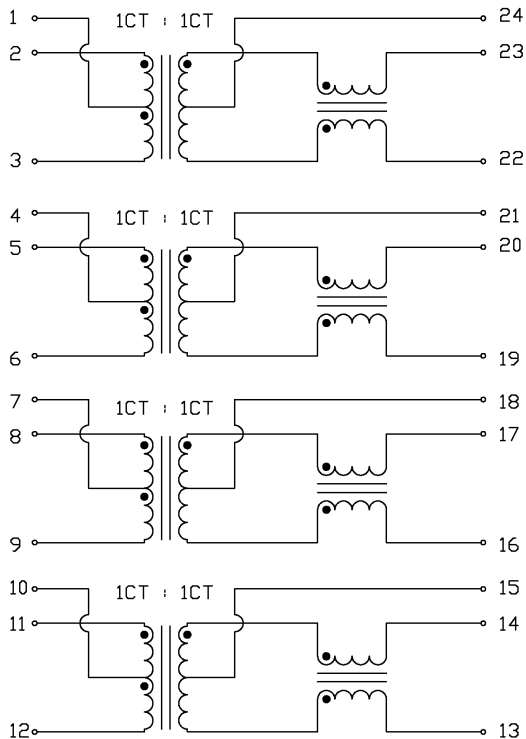
Address: A1208, Overseas Decoration Building, #122 Zhenhua RD., Futian, Shenzhen, China



THE INFORMATION CONTAINED HEREIN IS CONSIDERED
 "PROPRIETARY" TO BEL FUSE INC. AND SHALL NOT BE
 COPIED, REPRODUCED OR DISCLOSED WITHOUT THE
 WRITTEN APPROVAL OF BEL FUSE INC.



SCHEMATIC



ELECTRICAL CHARACTERISTICS @25°C

URNS RATIO	1CT : 1CT
PHASE	2 TO 23, 5 TO 20, 8 TO 17, 11 TO 15 IN PHASE
OCL :	350uH MIN. AT 100kHz, 100mV (2-3), (5-6), (8-9), (11-12) WITH 8mA DC BIAS, FROM 0 -70°C
INSERTION LOSS	1.0dB MAX. @ 1MHz TO 100MHz 1.5dB MAX. @ 125MHz
RETURN LOSS	18dB MIN. @ 1-30MHz MEASURED UNDER A 100 Ω I/O 15dB MIN. @ 60MHz 12dB MIN. @ 80MHz 10dB MIN. @ 100MHz
CROSSTALK	10-100 MHz 35 dB MIN.
COMMON TO COMMON REJECTION	30 dB MIN. AT 100kHz TO 155MHz
HIPOT	PER HAND-WORK-03

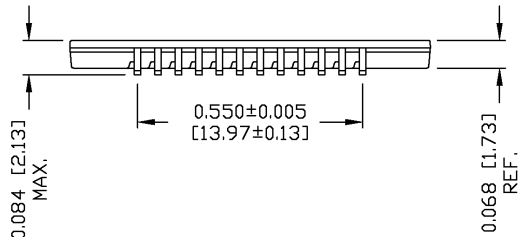
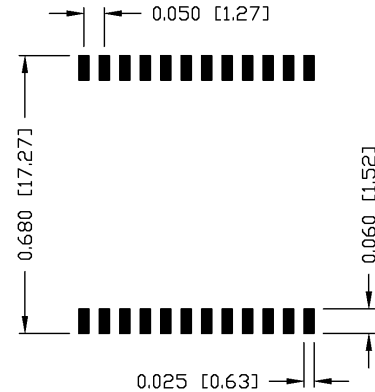
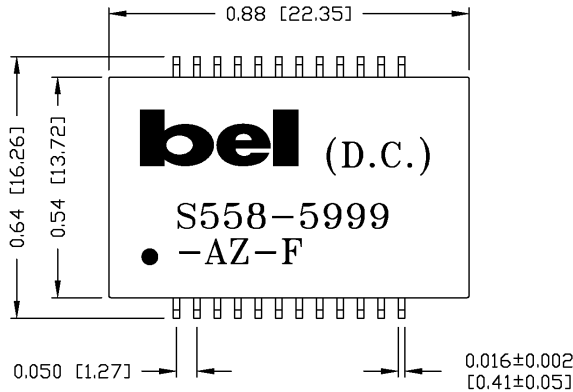
ORIGINATED BY	DATE	TITLE	PART NO. / DRAWING NO.	STANDARD DIM.	[] METRIC DIM. AS REFERENCE		 <small>COMPONENTS ON A CONNECTED PLANET</small>
HD	04-03-06	ELECTRICAL SPECIFICATION	X5585999AZ-F	TOL. IN INCH	UNIT : INCH [mm]	REV. : A	
DRAWN BY	DATE		FILE NAME	.X	SCALE : N/A	SIZE : A4	
DQ Chen	04-03-06	S558-5999-AZ-F	X5585999AZFA.DWG	.XX		PAGE : 2	
				.XXX			

THE INFORMATION CONTAINED HEREIN IS CONSIDERED "PROPRIETARY" TO BEL FUSE INC. AND SHALL NOT BE COPIED, REPRODUCED OR DISCLOSED WITHOUT THE WRITTEN APPROVAL OF BEL FUSE INC.

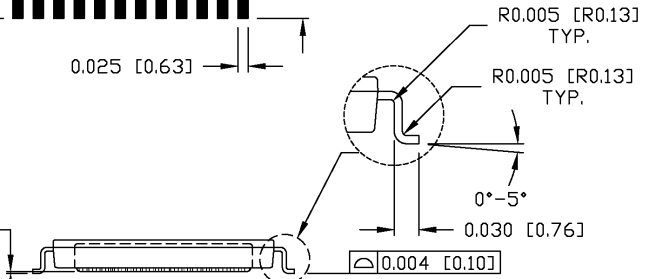
RoHS
2002/95/EC



SUGGESTED PCB PAD LAYOUT



BETWEEN COMPONENTS AND INTERNAL LEADS TO SEATING PLANE WITH 0.002" MIN CLEARANCE



NOTES:

- STANDARD MARKING REFER TO DOC. HAND-WORK-04.
- PACKAGE CODE: "RJS001".

ORIGINATED BY	DATE	TITLE	PART NO. / DRAWING NO.	STANDARD DIM. TOL. IN INCH	[] METRIC DIM. AS REFERENCE	<p>COMPONENTS FOR A CONNECTED PLANE</p>
Lawrence	04-03-06	MECHANICAL DRAWING S558-5999-AZ-F	X5585999AZ-F	.X	UNIT : INCH [mm] REV. : A	
DRAWN BY	DATE		FILE NAME	.XX ±0.01	SCALE : N/A SIZE : A4	
DQ Chen	04-03-06	X5585999AZFA.DWG	.XXX ±0.005	SCALE : N/A SIZE : A4	PAGE : 3	