



Chipsmall Limited consists of a professional team with an average of over 10 year of expertise in the distribution of electronic components. Based in Hongkong, we have already established firm and mutual-benefit business relationships with customers from,Europe,America and south Asia,supplying obsolete and hard-to-find components to meet their specific needs.

With the principle of “Quality Parts,Customers Priority,Honest Operation,and Considerate Service”,our business mainly focus on the distribution of electronic components. Line cards we deal with include Microchip,ALPS,ROHM,Xilinx,Pulse,ON,Everlight and Freescale. Main products comprise IC,Modules,Potentiometer,IC Socket,Relay,Connector.Our parts cover such applications as commercial,industrial, and automotives areas.

We are looking forward to setting up business relationship with you and hope to provide you with the best service and solution. Let us make a better world for our industry!



## Contact us

Tel: +86-755-8981 8866 Fax: +86-755-8427 6832

Email & Skype: info@chipsmall.com Web: www.chipsmall.com

Address: A1208, Overseas Decoration Building, #122 Zhenhua RD., Futian, Shenzhen, China

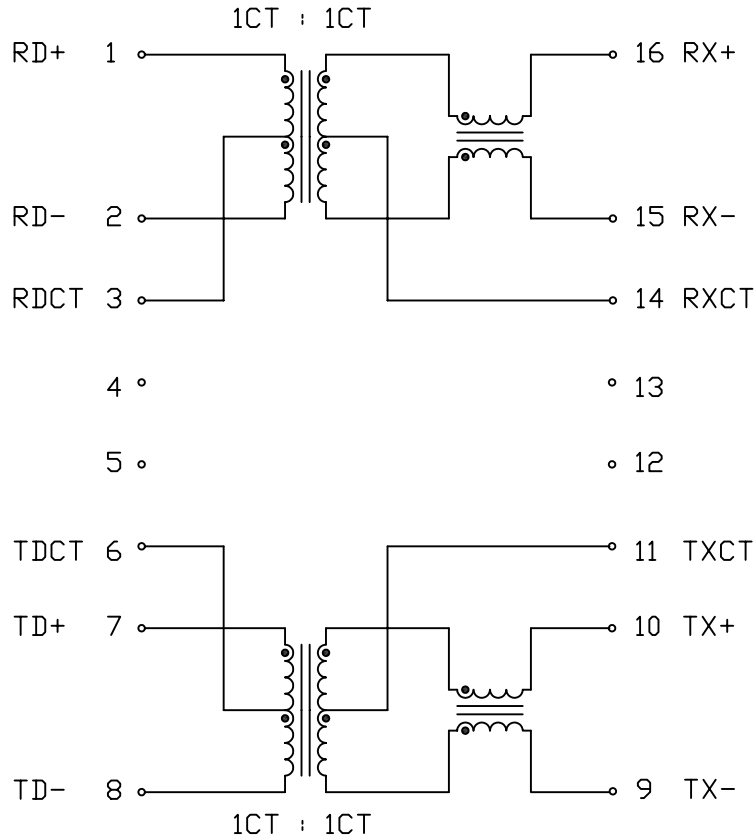


THE INFORMATION CONTAINED HEREIN IS CONSIDERED "PROPRIETARY" TO BEL FUSE INC. AND SHALL NOT BE COPIED, REPRODUCED OR DISCLOSED WITHOUT THE WRITTEN APPROVAL OF BEL FUSE INC.



ELECTRICAL SPECIFICATIONS @25°C

SCHEMATIC



URNS RATIO

(1-3-2) : (16-14-15)  
(7-6-8) : (10-11-9)

1CT : 1CT ±2%  
1CT : 1CT ±2%

POLARITY

PER DOT CONVENTION

□CL

(1-2) ; (7-8)

350μH MIN AT 100kHz, 100mV  
WITH 8mA DC BIAS, FROM 0 -70°C

INSERTION LOSS

1-125MHz

1.2dB MAX

RETURN LOSS

1-30MHz  
40-50MHz  
60MHz  
80MHz  
100MHz

18dB MIN  
16dB MIN  
14dB MIN  
12dB MIN  
10dB MIN

CROSSTALK

5-10MHz  
100MHz

40dB MIN  
30dB MIN

COMMON TO COMMON REJECTION

300kHz-155MHz

30dB MIN

HIPOT

PER HAND-WORK-03

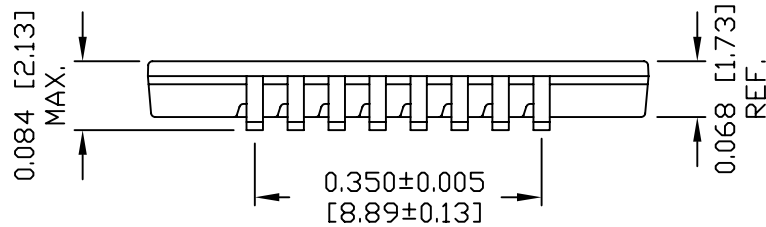
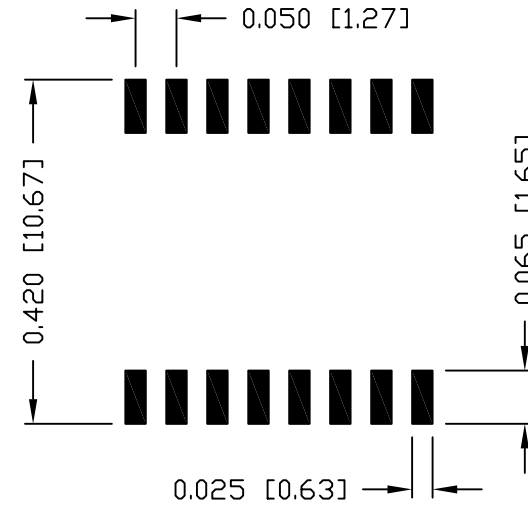
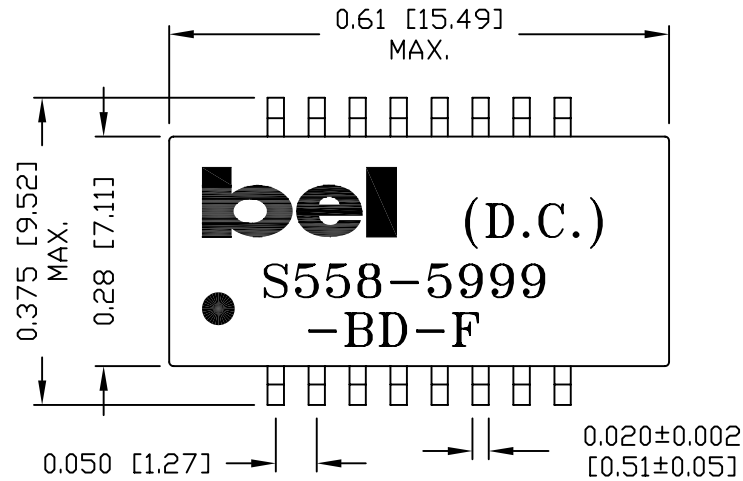
ORIGINATED BY	DATE	TITLE	PART NO. / DRAWING NO.	STANDARD DIM. TOL. IN INCH	[ ] METRIC DIM. AS REFERENCE
CHAN CH	03-20-09	ELECTRICAL SPECIFICATION S558-5999-BD-F	X5585999BD-F	.X	UNIT : INCH [mm] REV. : A
DRAWN BY	DATE		FILE NAME	.XX	SCALE : N/A SIZE : A4
YH Lai	03-20-09		X5585999BDF.A.DWG	.XXX	SCALE : N/A SIZE : A4 PAGE : 2



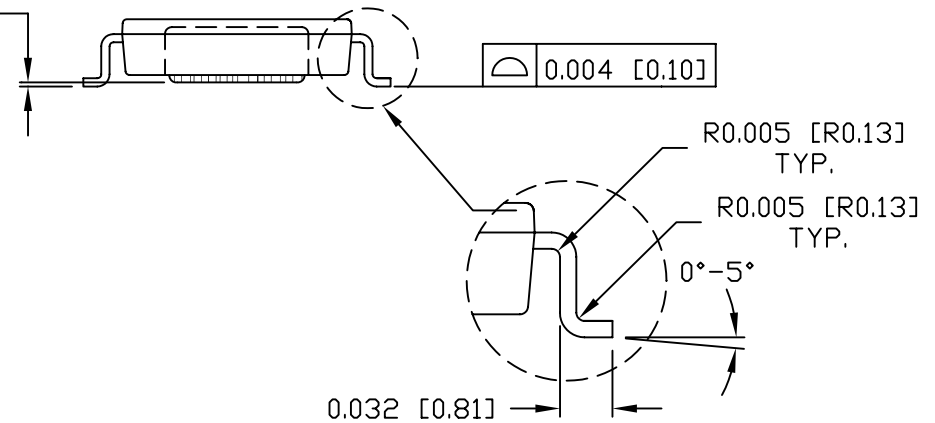
THE INFORMATION CONTAINED HEREIN IS CONSIDERED "PROPRIETARY" TO BEL FUSE INC. AND SHALL NOT BE COPIED, REPRODUCED OR DISCLOSED WITHOUT THE WRITTEN APPROVAL OF BEL FUSE INC.



SUGGESTED PCB PAD LAYOUT



BETWEEN COMPONENTS AND INTERNAL LEADS TO SEATING PLANE WITH 0.002" MIN CLEARANCE



NOTES:

1. STANDARD MARKING REFER TO DOC. HAND-WORK-04.
2. PACKAGE CODE: "QZS001".

ORIGINATED BY	DATE	TITLE	PART NO. / DRAWING NO.	STANDARD DIM. TOL. IN INCH		[ ] METRIC DIM. AS REFERENCE	
				.X	.XX	UNIT : INCH [mm]	REV. : PA
LAWRENCE TSANG	03-20-09	MECHANICAL OUTLINE S558-5999-BD-F	X5585999BD-F	.X	/	SCALE : N/A	SIZE : A4
DRAWN BY	DATE		FILE NAME	.XX	±0.01		PAGE : 3
YH Lai	03-20-09		X5585999BDF.A.DWG	.XXX	±0.005		

