



Chipsmall Limited consists of a professional team with an average of over 10 year of expertise in the distribution of electronic components. Based in Hongkong, we have already established firm and mutual-benefit business relationships with customers from,Europe,America and south Asia,supplying obsolete and hard-to-find components to meet their specific needs.

With the principle of “Quality Parts,Customers Priority,Honest Operation,and Considerate Service”,our business mainly focus on the distribution of electronic components. Line cards we deal with include Microchip,ALPS,ROHM,Xilinx,Pulse,ON,Everlight and Freescale. Main products comprise IC,Modules,Potentiometer,IC Socket,Relay,Connector.Our parts cover such applications as commercial,industrial, and automotives areas.

We are looking forward to setting up business relationship with you and hope to provide you with the best service and solution. Let us make a better world for our industry!



Contact us

Tel: +86-755-8981 8866 Fax: +86-755-8427 6832

Email & Skype: info@chipsmall.com Web: www.chipsmall.com

Address: A1208, Overseas Decoration Building, #122 Zhenhua RD., Futian, Shenzhen, China

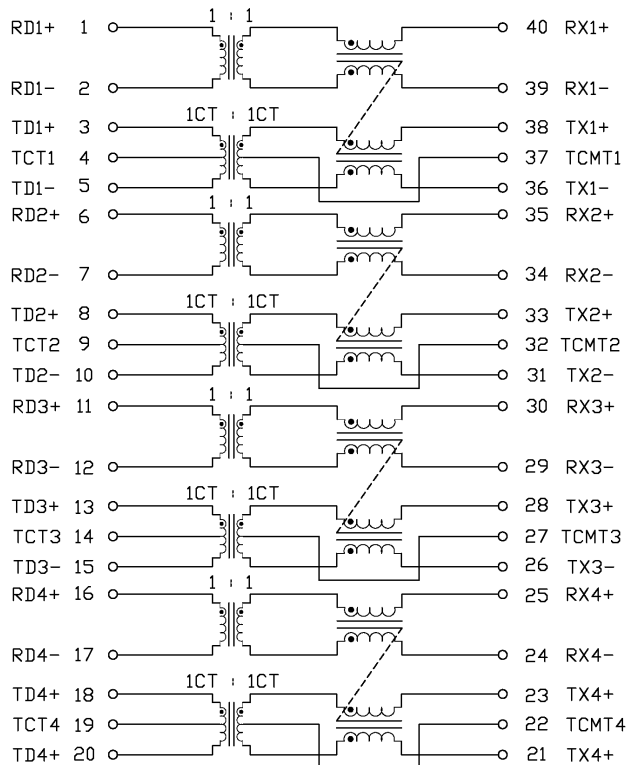


THE INFORMATION CONTAINED HEREIN IS CONSIDERED 'PROPRIETARY' TO BEL FUSE INC. AND SHALL NOT BE COPIED, REPRODUCED OR DISCLOSED WITHOUT THE WRITTEN APPROVAL OF BEL FUSE INC.

RoHS
2002/95/EC



SCHEMATIC



ELECTRICAL CHARACTERISTICS @ 25°C

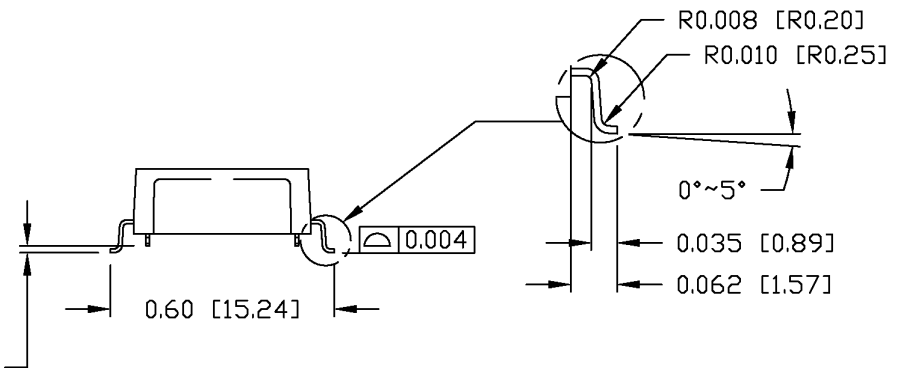
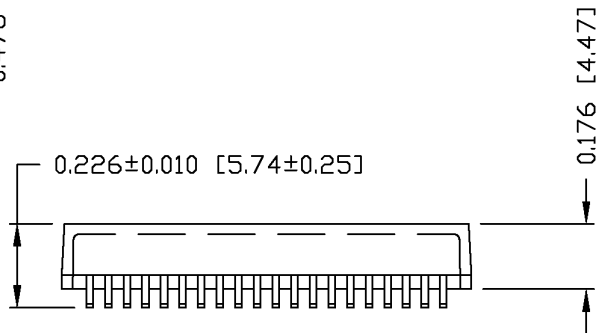
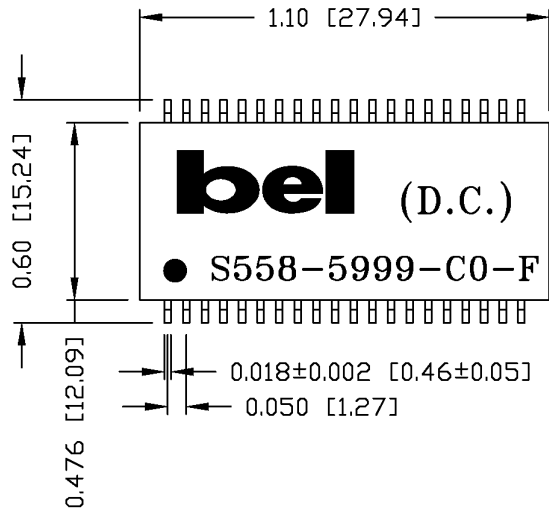
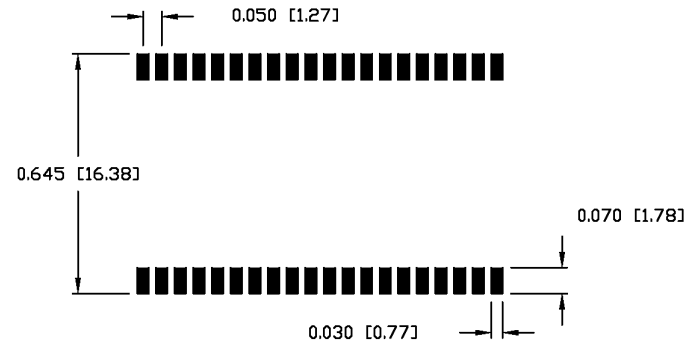
<p>RD1+ 1</p> <p>RD1- 2</p> <p>TD1+ 3</p> <p>TCT1 4</p> <p>TD1- 5</p> <p>RD2+ 6</p> <p>RD2- 7</p> <p>TD2+ 8</p> <p>TCT2 9</p> <p>TD2- 10</p> <p>RD3+ 11</p> <p>RD3- 12</p> <p>TD3+ 13</p> <p>TCT3 14</p> <p>TD3- 15</p> <p>RD4+ 16</p> <p>RD4- 17</p> <p>TD4+ 18</p> <p>TCT4 19</p> <p>TD4+ 20</p>	<p>40 RX1+</p> <p>39 RX1-</p> <p>38 TX1+</p> <p>37 TCMT1</p> <p>36 TX1-</p> <p>35 RX2+</p> <p>34 RX2-</p> <p>33 TX2+</p> <p>32 TCMT2</p> <p>31 TX2-</p> <p>30 RX3+</p> <p>29 RX3-</p> <p>28 TX3+</p> <p>27 TCMT3</p> <p>26 TX3-</p> <p>25 RX4+</p> <p>24 RX4-</p> <p>23 TX4+</p> <p>22 TCMT4</p> <p>21 TX4+</p>	<p>1 : 1</p> <p>1CT : 1CT</p> <p>PER DOT CONVENTION</p> <p>350μH MIN. @ 100kHz, 100mV WITH 8mA DC BIAS</p> <p>1.0dB MAX. @ 100kHz TO 80MHz</p> <p>20dB MIN. AT 2 TO 10MHz 18dB MIN. AT 30MHz 15dB MIN. AT 45MHz 12dB MIN. AT 60MHz 10dB MIN. AT 80MHz</p> <p>40dB MIN. AT 100kHz TO 100MHz</p> <p>30dB MIN. AT 100kHz TO 100MHz</p> <p>35dB MIN. AT 100kHz TO 100MHz</p> <p>@ 1MHz, 20mV 200nH MAX. @ 1MHz, 20mV 300nH MAX. @ 1MHz, 20mV</p> <p>PER HAND-WORK-03</p>
<p>TURN'S RATIO</p> <p>RX</p> <p>TX</p> <p>PHASE</p> <p>OCL</p> <p>INSERTION LOSS</p> <p>RETURN LOSS MEASURED UNDER 100Ω ENVIRONMENT</p> <p>COMMON TO DIFFERENTIAL MODE REJECTION</p> <p>COMMON TO COMMON MODE REJECTION</p> <p>CROSSTALK</p> <p>LEAKAGE INDUCTANCE</p> <p>Rx</p> <p>Tx</p> <p>HIPOT</p>		<p>1 : 1</p> <p>1CT : 1CT</p> <p>PER DOT CONVENTION</p> <p>350μH MIN. @ 100kHz, 100mV WITH 8mA DC BIAS</p> <p>1.0dB MAX. @ 100kHz TO 80MHz</p> <p>20dB MIN. AT 2 TO 10MHz 18dB MIN. AT 30MHz 15dB MIN. AT 45MHz 12dB MIN. AT 60MHz 10dB MIN. AT 80MHz</p> <p>40dB MIN. AT 100kHz TO 100MHz</p> <p>30dB MIN. AT 100kHz TO 100MHz</p> <p>35dB MIN. AT 100kHz TO 100MHz</p> <p>@ 1MHz, 20mV 200nH MAX. @ 1MHz, 20mV 300nH MAX. @ 1MHz, 20mV</p> <p>PER HAND-WORK-03</p>

ORIGINATED BY	DATE	TITLE	PART NO. / DRAWING NO.	STANDARD DIM.	[] METRIC DIM. AS REFERENCE	<p>COMPONENTS ON A CONNECTED PLANET</p>	
HO	08-24-06	ELECTRICAL SPECIFICATION	X5585999C0-F	TOL. IN INCH	UNIT : INCH [mm]		REV. : A
DRAWN BY	DATE		FILE NAME	.X	SCALE : N/A		SIZE : A4
DQ Chen	08-24-06	S558-5999-C0-F	X5585999C0FA.DWG	.XX	PAGE : 2		

THE INFORMATION CONTAINED HEREIN IS CONSIDERED "PROPRIETARY" TO BEL FUSE INC. AND SHALL NOT BE COPIED, REPRODUCED OR DISCLOSED WITHOUT THE WRITTEN APPROVAL OF BEL FUSE INC.



SUGGESTED PCB PAD LAYOUT



NOTES:

- STANDARD MARKING REFER TO DOC. HAND-WORK-04. 0.010[0.25] MIN.
- PACKAGE CODE: "RRS001".

ORIGINATED BY	DATE	TITLE	PART NO. / DRAWING NO.	STANDARD DIM. TOL. IN INCH	[] METRIC DIM. AS REFERENCE	 COMPONENTS FOR A CONNECTED PLANET
Lawrence	08-24-06	MECHANICAL OUTLINE	X5585999C0-F	.X	UNIT : INCH [mm]	
DRAWN BY	DATE	S558-5999-C0-F	FILE NAME	.XX ±0.01	SCALE : N/A	
DQ Chen	08-24-06		X5585999C0FA.DWG	.XXX ±0.005	SIZE : A4	PAGE : 3