



Chipsmall Limited consists of a professional team with an average of over 10 year of expertise in the distribution of electronic components. Based in Hongkong, we have already established firm and mutual-benefit business relationships with customers from,Europe,America and south Asia,supplying obsolete and hard-to-find components to meet their specific needs.

With the principle of “Quality Parts,Customers Priority,Honest Operation,and Considerate Service”,our business mainly focus on the distribution of electronic components. Line cards we deal with include Microchip,ALPS,ROHM,Xilinx,Pulse,ON,Everlight and Freescale. Main products comprise IC,Modules,Potentiometer,IC Socket,Relay,Connector.Our parts cover such applications as commercial,industrial, and automotives areas.

We are looking forward to setting up business relationship with you and hope to provide you with the best service and solution. Let us make a better world for our industry!



## Contact us

Tel: +86-755-8981 8866 Fax: +86-755-8427 6832

Email & Skype: info@chipsmall.com Web: www.chipsmall.com

Address: A1208, Overseas Decoration Building, #122 Zhenhua RD., Futian, Shenzhen, China

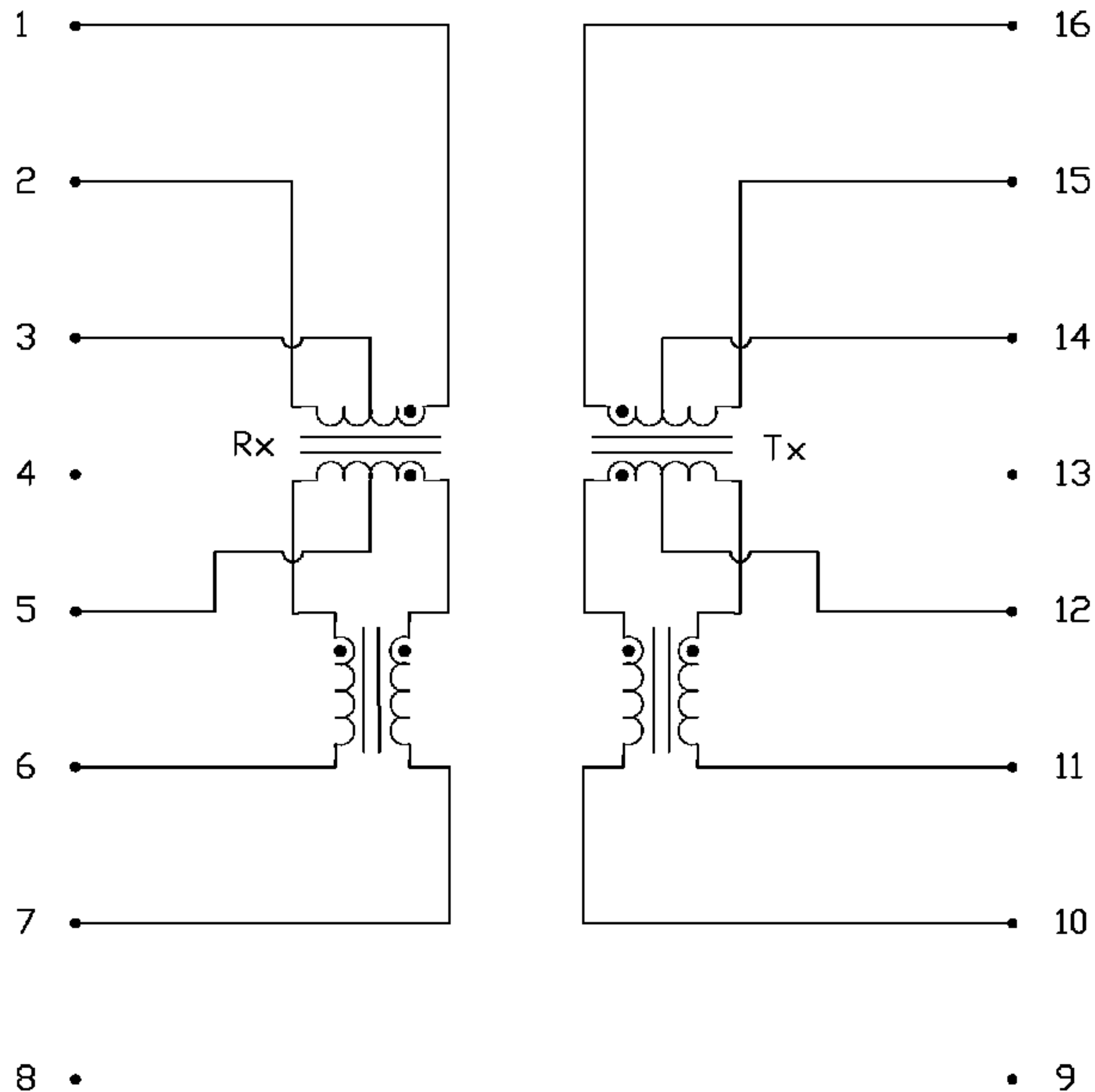


THE INFORMATION CONTAINED HEREIN IS CONSIDERED "PROPRIETARY" TO BEL FUSE INC. AND SHALL NOT BE COPIED, REPRODUCED OR DISCLOSED WITHOUT THE WRITTEN APPROVAL OF BEL FUSE INC.

ELECTRICAL CHARACTERISTICS @25°C



SCHEMATIC



URNS RATIO

Rx (1-3-2) : (7-5-6)  
Tx (16-14-15) : (10-12-11)

1CT : 1CT  
1CT : 1.414CT

PHASING

1 TO 7 AND 16 TO 10  
PER DOT CONVENTION

DCL

PIN(1-2) & (10-11)

350uH MIN. AT 100kHz 100mV  
WITH 8mA DC BIAS

INSERTION LOSS

1.2dB MAX. AT 100kHz TO 100MHz

RETURN LOSS

MEASURED UNDER A 100 Ω  
ENVIRONMENT

|             |    |    |    |    |    |     |
|-------------|----|----|----|----|----|-----|
| FREQ. (MHz) | 1  | 10 | 30 | 60 | 80 | 100 |
| dB MIN      | 20 | 20 | 18 | 14 | 13 | 10  |

COMMON TO DIFFERENTIAL MODE REJECTION

|             |    |    |    |     |     |
|-------------|----|----|----|-----|-----|
| FREQ. (MHz) | 1  | 10 | 50 | 100 | 200 |
| dB MIN      | 65 | 50 | 35 | 25  | 20  |

CROSSTALK

30dB MIN. AT 100kHz TO 100MHz

COMMON TO COMMON MODE REJECTION

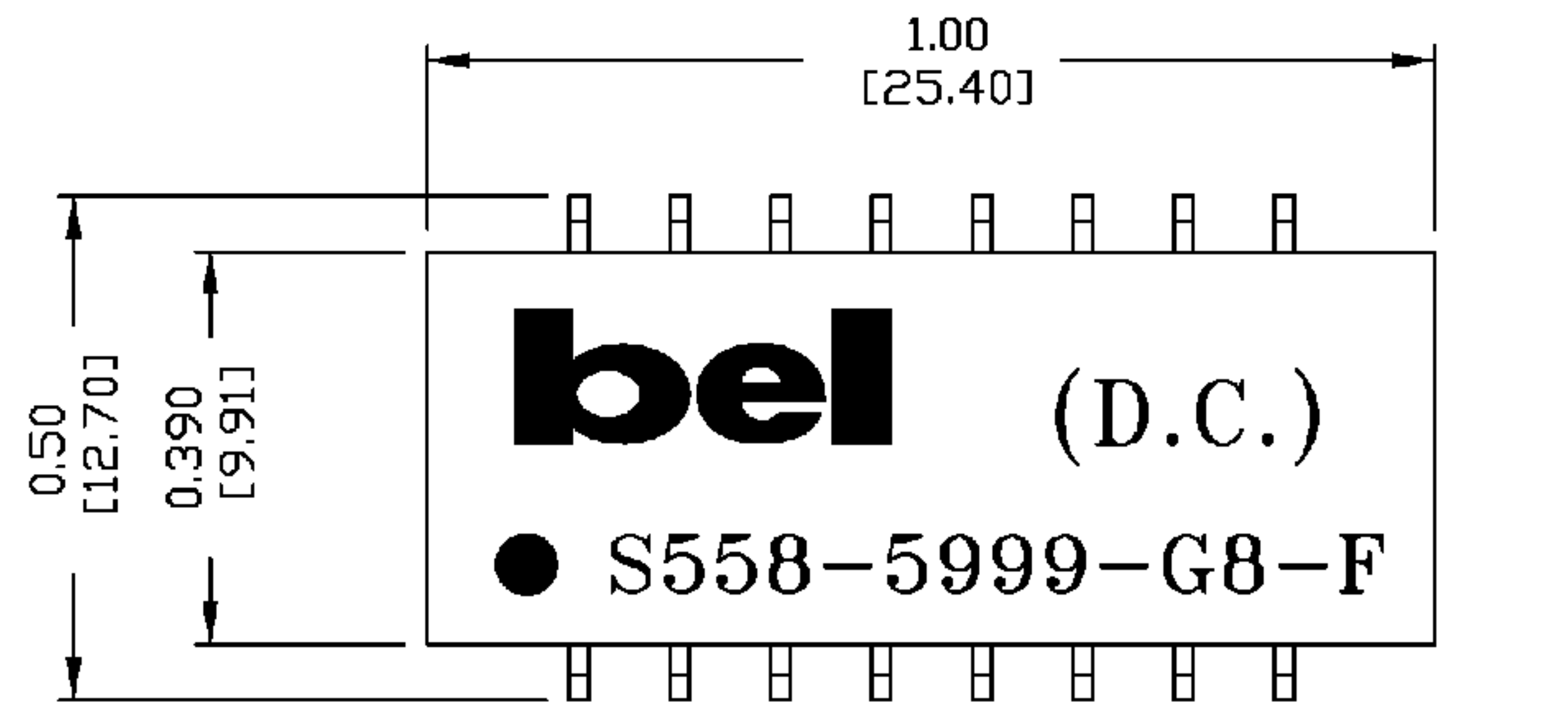
|             |    |    |    |     |     |
|-------------|----|----|----|-----|-----|
| FREQ. (MHz) | 1  | 10 | 50 | 100 | 200 |
| dB MIN      | 50 | 30 | 30 | 20  | 20  |

HIPOT

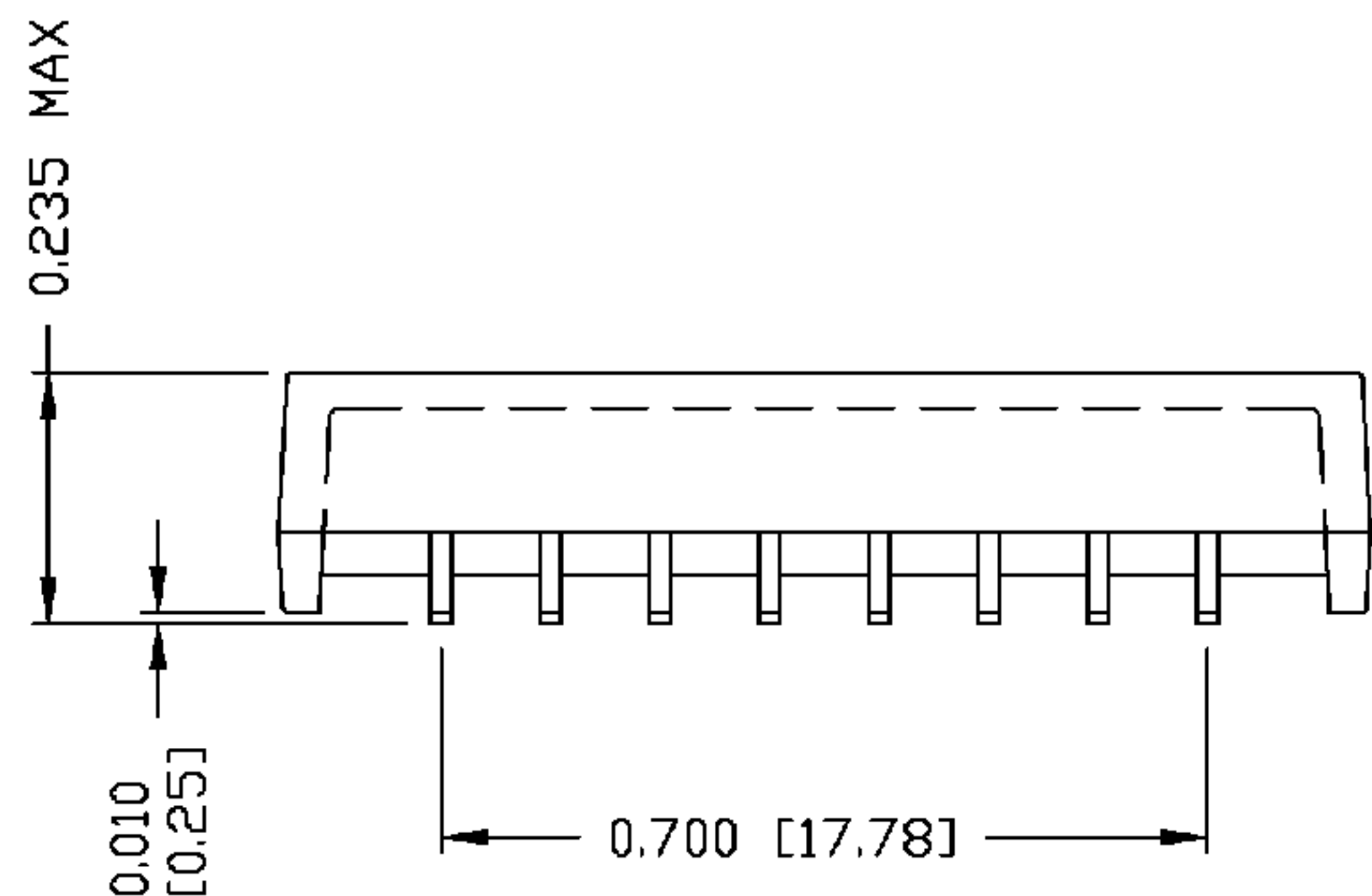
PER HAND-WORK-03

|               |          |  |                        |               |                              |                                       |           |
|---------------|----------|--|------------------------|---------------|------------------------------|---------------------------------------|-----------|
| ORIGINATED BY | DATE     | TITLE  | PART NO. / DRAWING NO. | STANDARD DIM. | [ ] METRIC DIM. AS REFERENCE | <br>COMPONENTS FOR A CONNECTED PLANET |           |
| HO            | 02-22-06 | 10/100BT MAGNETICS<br>INTERFACE MODULE<br>S558-5999-G8-F | X5585999G8-F           | TOL. IN INCH  | UNIT : INCH [mm]             |                                       | REV. : A  |
| DRAWN BY      | DATE     |  | FILE NAME              | .X            | SCALE : N/A                  |                                       | SIZE : A4 |
| DQ Chen       | 02-22-06 |  | X5585999G8FA.DWG       | .XX           |                              |                                       | PAGE : 2  |
|               |          |  |                        | .XXX          |                              |                                       |           |

THE INFORMATION CONTAINED HEREIN IS CONSIDERED "PROPRIETARY" TO BEL FUSE INC. AND SHALL NOT BE COPIED, REPRODUCED OR DISCLOSED WITHOUT THE WRITTEN APPROVAL OF BEL FUSE INC.



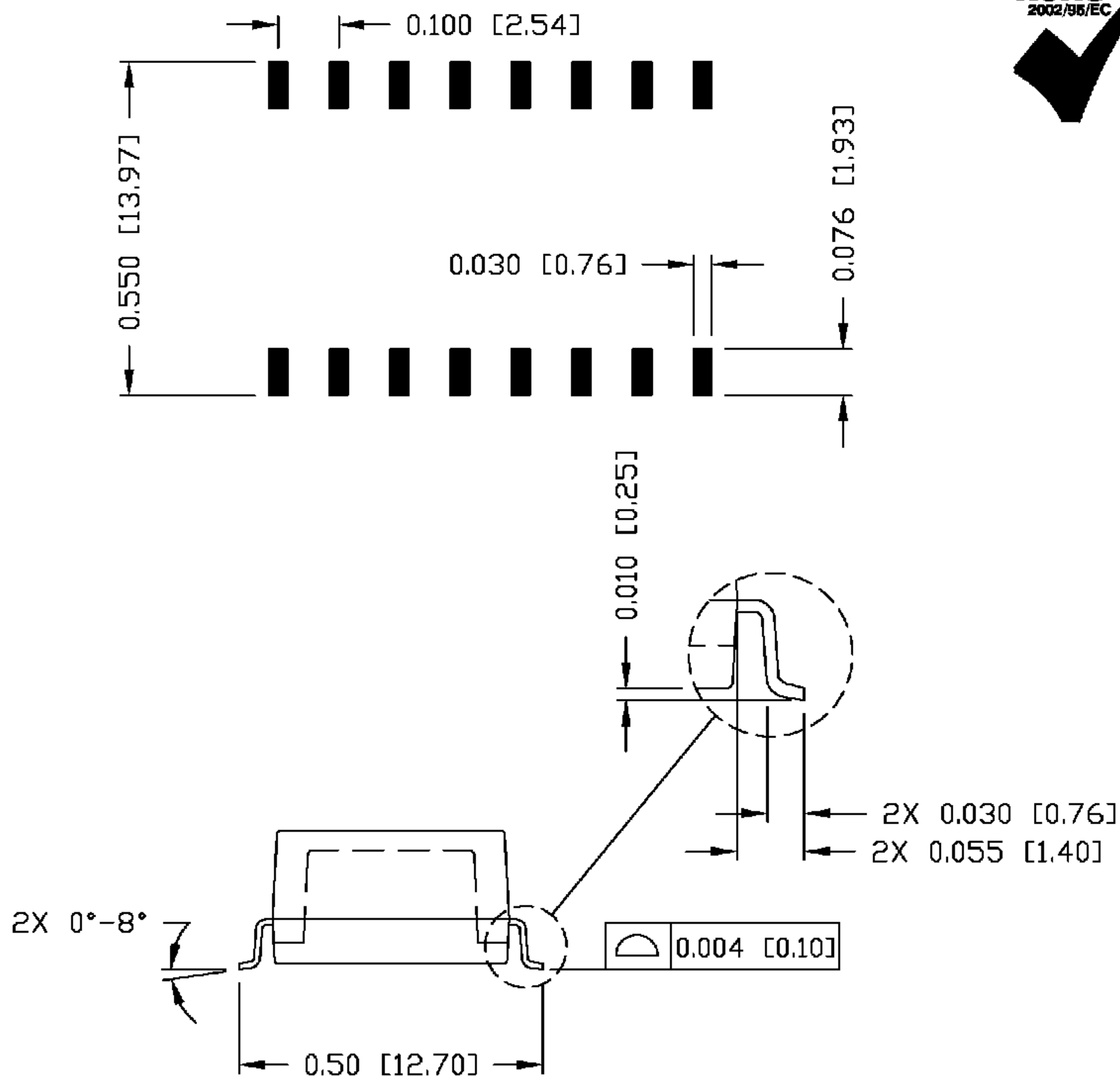
0.020±0.002 [0.51±0.05] 0.10 [2.54] TYP.



NOTES:

1. STANDARD MARKING REFER TO DOC. HAND-WORK-04.
2. PACKAGE CODE: "RNS001".

SUGGESTED PCB PAD LAYOUT



| ORIGINATED BY | DATE     | TITLE                                | PART NO. / DRAWING NO. | STANDARD DIM. TOL. IN INCH | [ ] METRIC DIM. AS REFERENCE |
|---------------|----------|--------------------------------------|------------------------|----------------------------|------------------------------|
| HO            | 05-23-06 | MECHANICAL DRAWING<br>S558-5999-G8-F | X5585999G8-F           | .X                         | UNIT : INCH [mm] REV. : A    |
| DRAWN BY      | DATE     |                                      | FILE NAME              | .XX ±0.01                  | SCALE : N/A SIZE : A4        |
| DQ Chen       | 05-23-06 |                                      | X5585999G8FA.DWG       | .XXX ±0.005                | PAGE : 3                     |