



Chipsmall Limited consists of a professional team with an average of over 10 year of expertise in the distribution of electronic components. Based in Hongkong, we have already established firm and mutual-benefit business relationships with customers from,Europe,America and south Asia,supplying obsolete and hard-to-find components to meet their specific needs.

With the principle of “Quality Parts,Customers Priority,Honest Operation,and Considerate Service”,our business mainly focus on the distribution of electronic components. Line cards we deal with include Microchip,ALPS,ROHM,Xilinx,Pulse,ON,Everlight and Freescale. Main products comprise IC,Modules,Potentiometer,IC Socket,Relay,Connector.Our parts cover such applications as commercial,industrial, and automotives areas.

We are looking forward to setting up business relationship with you and hope to provide you with the best service and solution. Let us make a better world for our industry!



Contact us

Tel: +86-755-8981 8866 Fax: +86-755-8427 6832

Email & Skype: info@chipsmall.com Web: www.chipsmall.com

Address: A1208, Overseas Decoration Building, #122 Zhenhua RD., Futian, Shenzhen, China

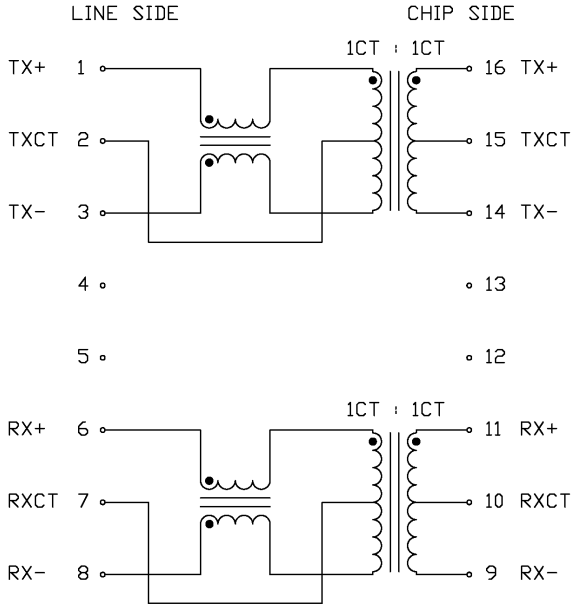


THE INFORMATION CONTAINED HEREIN IS CONSIDERED "PROPRIETARY" TO BEL FUSE INC. AND SHALL NOT BE COPIED, REPRODUCED OR DISCLOSED WITHOUT THE WRITTEN APPROVAL OF BEL FUSE INC.

ELECTRICAL CHARACTERISTICS @25°C



SCHEMATIC



URNS RATIO

PIN 1-2-3 : 16-15-14

PIN 6-7-8 : 11-10-9

1CT : 1CT

1CT : 1CT

QCL

PIN 16-14

11-9

350μH MIN.

@ 100kHz, 100mVrms

W/8mA DC BIAS

LEAKAGE INDUCTANCE, L_e

PIN 16-14 (SHORT 1-3)

PIN 11-9 (SHORT 6-8)

300nH MAX.

@ 1MHz, 20mVrms

INTERWINDING CAPACITANCE, C_w/w

PIN 1-3 TO 16-14

PIN 6-8 TO 11-9

30pF MAX.

@ 1MHz, 20mVrms

WINDING RESISTANCE, DCR

PIN 1-3 ; 6-8

PIN 16-14 ; 11-9

2.0 Ω MAX.

1.0 Ω MAX.

INSERTION LOSS

@ 100kHz-100MHz

1.0dB MAX.

RETURN LOSS

@ 1MHz-30MHz

@ 30-60MHz

@ 60-80MHz

18dB MIN.

18-20 LOG (F/30MHz) MIN.

10dB MIN.

CROSSTALK

@ 100kHz-100MHz

35dB MIN.

CM TO CM MODE REJ.

@ 100kHz-100MHz

30dB MIN.

CM TO DM MODE REJ.

@ 100kHz-100MHz

40dB MIN.

HIPOT

1500Vrms

ORIGINATED BY	DATE	TITLE	PART NO. / DRAWING NO.	STANDARD DIM.	[] METRIC DIM. AS REFERENCE
HO	05-23-06	10/100BT MAGNETICS MODULE	X5585999J1-F	TOL. IN INCH	UNIT : INCH [mm] REV. : A
DRAWN BY	DATE		FILE NAME	.X	SCALE : N/A SIZE : A4
DQ Chen	05-23-06	S558-5999-J1-F	X5585999J1FA.DWG	.XX	⊕
				.XXX	PAGE : 2

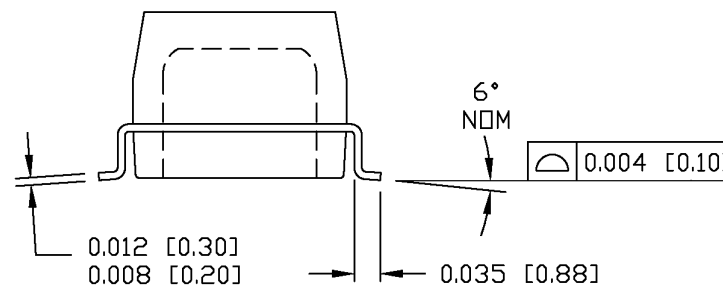
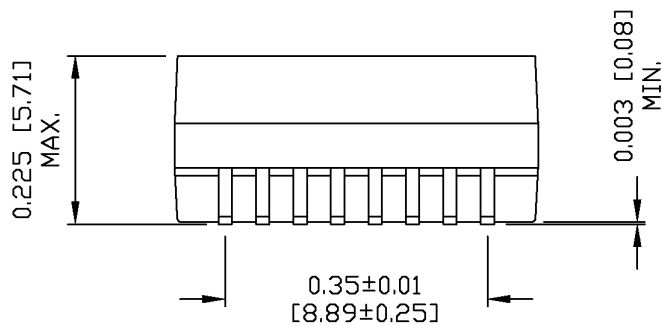
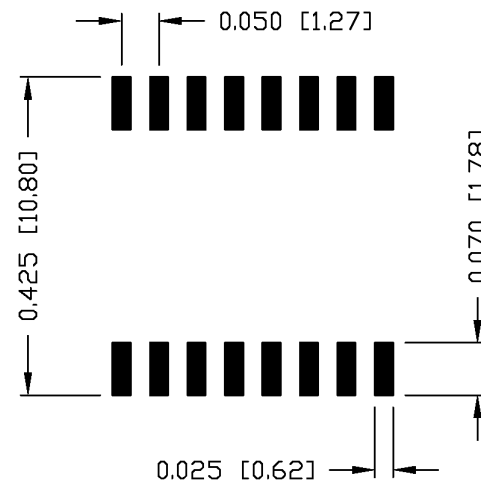
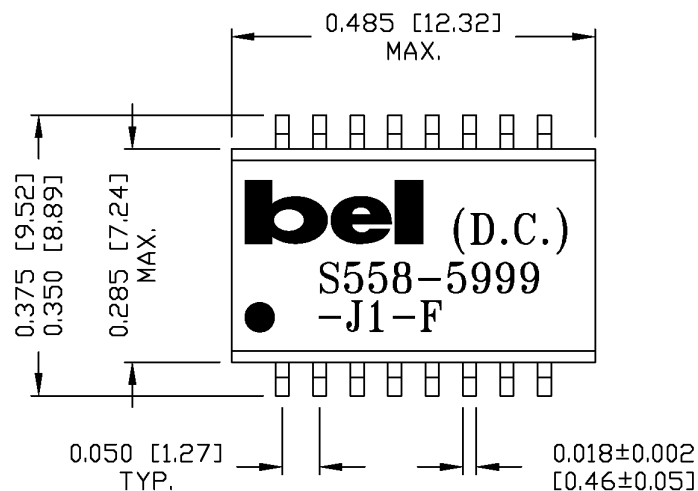


THE INFORMATION CONTAINED HEREIN IS CONSIDERED "PROPRIETARY" TO BEL FUSE INC. AND SHALL NOT BE COPIED, REPRODUCED OR DISCLOSED WITHOUT THE WRITTEN APPROVAL OF BEL FUSE INC.

RoHS
2002/95/EC



SUGGESTED PCB PAD LAYOUT



NOTES:

- STANDARD MARKING REFER TO DOC. HAND-WORK-04.
- PACKAGE CODE: "QBS001".

ORIGINATED BY HQ	DATE 05-23-06	TITLE MECHANICAL DRAWING	PART NO. / DRAWING NO. X5585999J1-F	STANDARD DIM. TOL. IN INCH	[] METRIC DIM. AS REFERENCE	REV. : A	SIZE : A4	PAGE : 3	 COMPONENTS FOR A CONNECTED PLANET
DRAWN BY DQ Chen	DATE 05-23-06		FILE NAME X5585999J1FA.DWG	.X ±0.01	UNIT : INCH [mm]				
				.XX ±0.005					