



Chipsmall Limited consists of a professional team with an average of over 10 year of expertise in the distribution of electronic components. Based in Hongkong, we have already established firm and mutual-benefit business relationships with customers from,Europe,America and south Asia,supplying obsolete and hard-to-find components to meet their specific needs.

With the principle of “Quality Parts,Customers Priority,Honest Operation,and Considerate Service”,our business mainly focus on the distribution of electronic components. Line cards we deal with include Microchip,ALPS,ROHM,Xilinx,Pulse,ON,Everlight and Freescale. Main products comprise IC,Modules,Potentiometer,IC Socket,Relay,Connector.Our parts cover such applications as commercial,industrial, and automotives areas.

We are looking forward to setting up business relationship with you and hope to provide you with the best service and solution. Let us make a better world for our industry!



Contact us

Tel: +86-755-8981 8866 Fax: +86-755-8427 6832

Email & Skype: info@chipsmall.com Web: www.chipsmall.com

Address: A1208, Overseas Decoration Building, #122 Zhenhua RD., Futian, Shenzhen, China

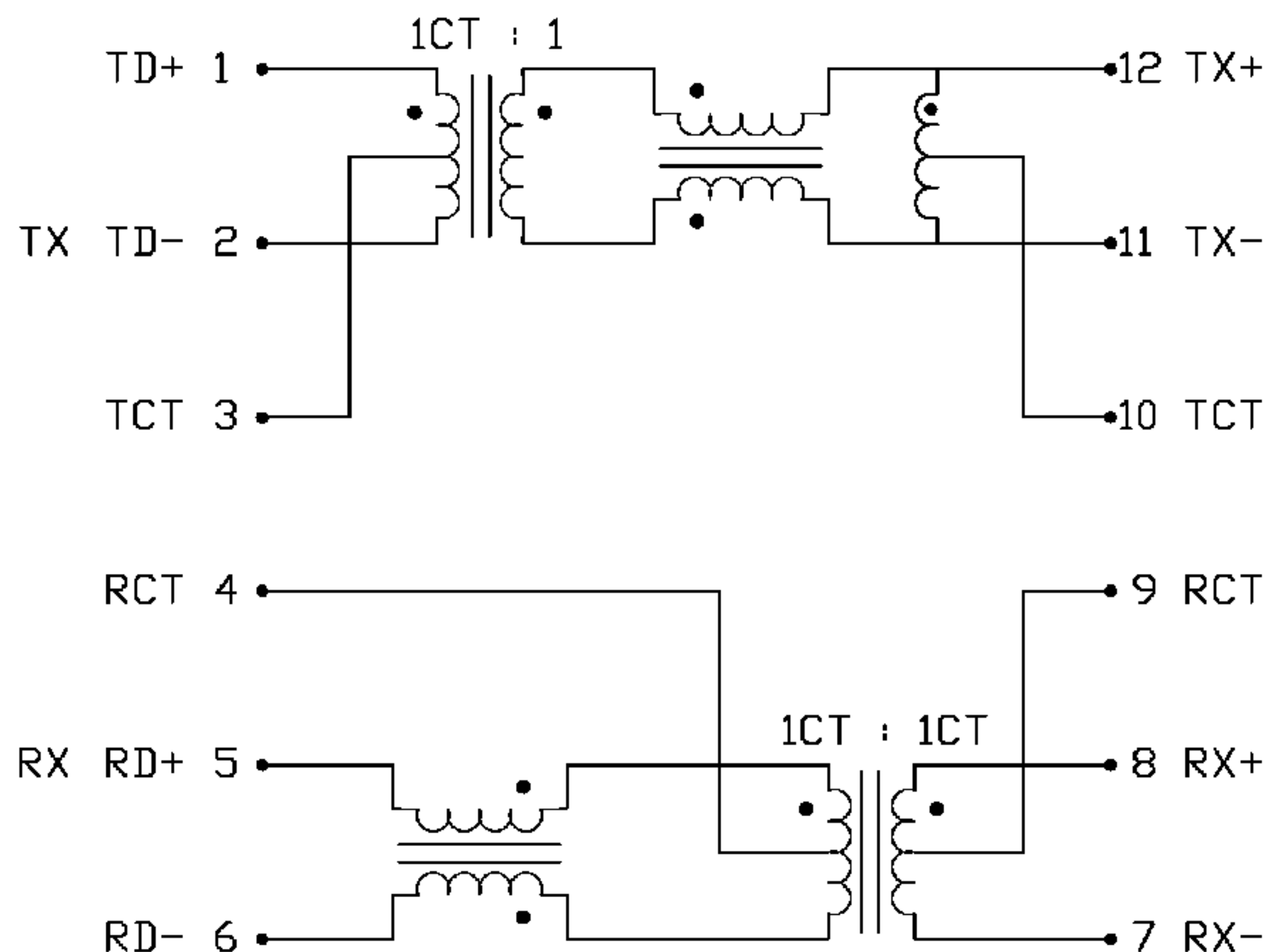


THE INFORMATION CONTAINED HEREIN IS CONSIDERED "PROPRIETARY" TO BEL FUSE INC. AND SHALL NOT BE COPIED, REPRODUCED OR DISCLOSED WITHOUT THE WRITTEN APPROVAL OF BEL FUSE INC.

ELECTRICAL CHARACTERISTICS @ 25°C



SCHEMATIC



URNS RATIO

Tx (1-3-2) : (12-11)
Rx (5-4-6) : (8-9-7)

1CT : 1
1CT : 1CT

PHASING

1 TO 12 ; 5 TO 8

DCL

Tx (12-11)
Rx (8-7)

400uH MIN. @ 100kHz, 100mV
WITH 8mA DC BIAS

INSERTION LOSS

RECEIVE

100kHz - 60MHz 0.6dB MAX.
60MHz - 100MHz 1.0dB MAX.
100MHz - 140MHz 3.0dB MAX.

TRANSMIT

100kHz - 10MHz 0.5dB MAX.
10MHz - 60MHz 0.6dB MAX.
60MHz - 100MHz 1.0dB MAX.
100MHz - 140MHz 3.0dB MAX.

RETURN LOSS

UNDER 100 Ohms ±15 ENVIRONMENT

1MHz - 30MHz 18dB MIN.
30MHz - 60MHz 16dB MIN.
60MHz - 80MHz 12dB MIN.

COMMON TO COMMON MODE REJ

100kHz - 30MHz 50dB MIN.
30MHz - 100MHz 30dB MIN.

CROSSTALK

100kHz 35dB MIN.
1MHz 50dB MIN.
30MHz - 60MHz 40dB MIN.
100MHz 35dB MIN.

DIFF TO COM MODE REJ

30MHz 42dB MIN.
60MHz 37dB MIN.
100MHz 33dB MIN.
200MHz 25dB MIN.

HIPOT

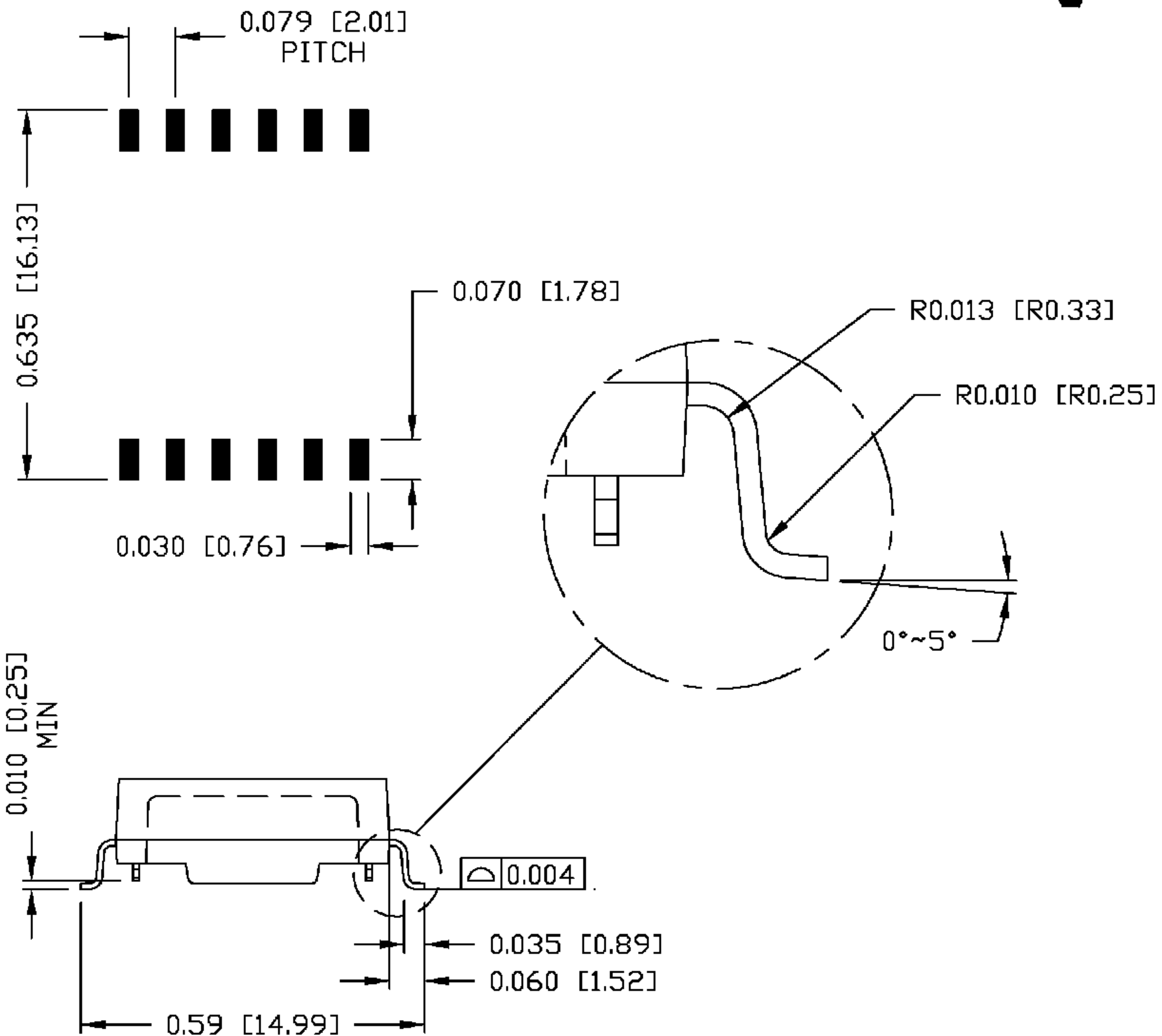
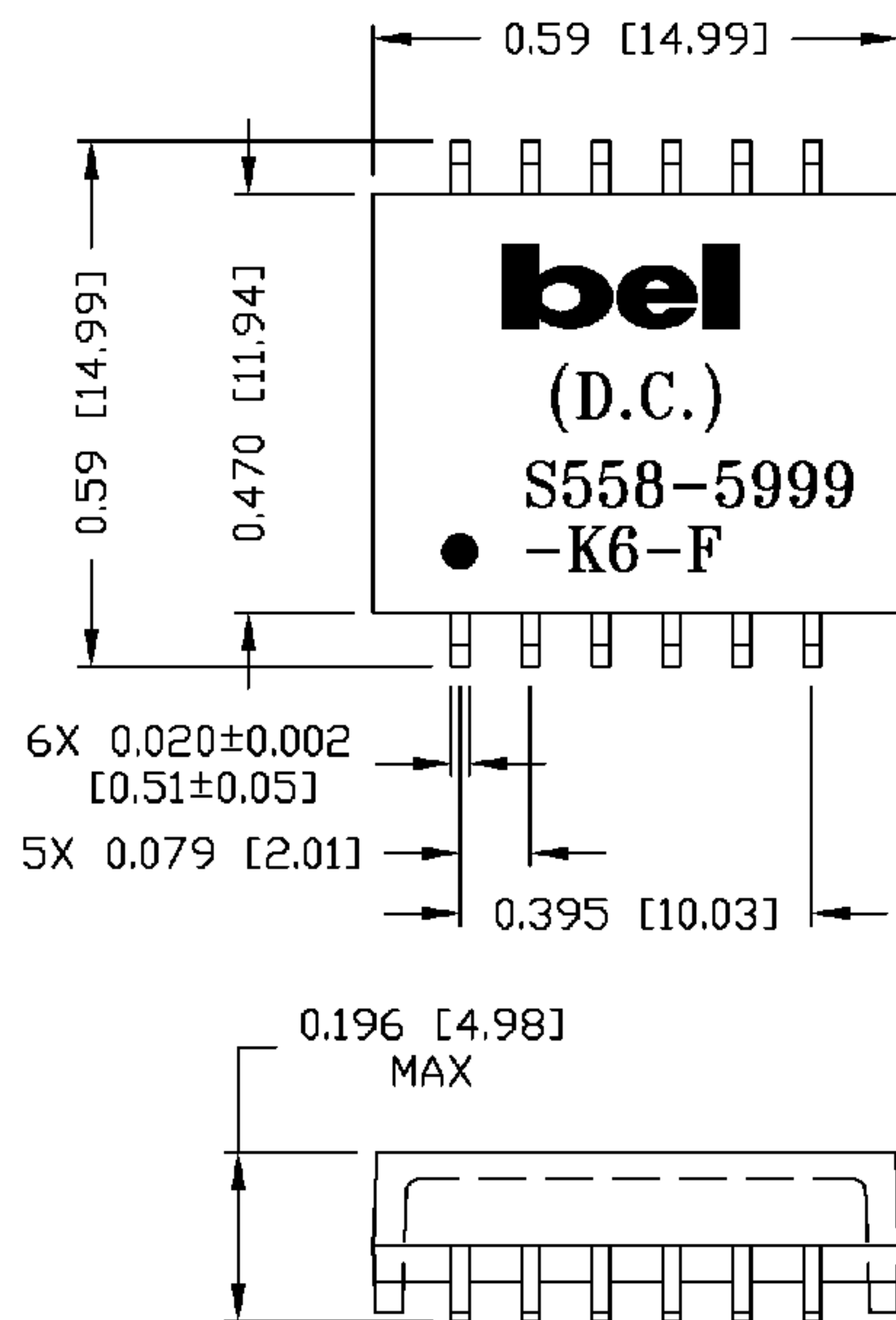
PER HAND-WORK-03

ORIGINATED BY	DATE	TITLE	PART NO. / DRAWING NO.	STANDARD DIM.	[] METRIC DIM. AS REFERENCE	
HO	06-07-05	10/100BT MAGNETICS MODULE S558-5999-K6-F	X5585999K6-F	TOL. IN INCH	UNIT : INCH [mm]	REV. : A
DRAWN BY	DATE		FILE NAME	.X	SCALE : N/A	SIZE : A4
DQ Chen	06-07-05		X5585999K6FA.DWG	.XX		PAGE : 2
				.XXX		

THE INFORMATION CONTAINED HEREIN IS CONSIDERED "PROPRIETARY" TO BEL FUSE INC. AND SHALL NOT BE COPIED, REPRODUCED OR DISCLOSED WITHOUT THE WRITTEN APPROVAL OF BEL FUSE INC.



SUGGESTED PCB PAD LAYOUT



NOTES:

1. STANDARD MARKING REFER TO DDC. HAND-WORK-04.
2. PACKAGE CODE: "RTS001".

ORIGINATED BY	DATE	TITLE	PART NO. / DRAWING NO.	STANDARD DIM. TOL. IN INCH	[] METRIC DIM. AS REFERENCE	 COMPONENTS FOR A CONNECTED PLANET
HO	06-07-05	MECHANICAL OUTLINE	X5585999K6-F	.X	UNIT : INCH [mm]	
DRAWN BY	DATE	S558-5999-K6-F	FILE NAME	.XX ±0.01	SCALE : N/A	
DQ Chen	06-07-05		X5585999K6FA.DWG	.XXX ±0.005	REV. : A SIZE : A4 PAGE : 3	