



Chipsmall Limited consists of a professional team with an average of over 10 year of expertise in the distribution of electronic components. Based in Hongkong, we have already established firm and mutual-benefit business relationships with customers from,Europe,America and south Asia,supplying obsolete and hard-to-find components to meet their specific needs.

With the principle of “Quality Parts,Customers Priority,Honest Operation,and Considerate Service”,our business mainly focus on the distribution of electronic components. Line cards we deal with include Microchip,ALPS,ROHM,Xilinx,Pulse,ON,Everlight and Freescale. Main products comprise IC,Modules,Potentiometer,IC Socket,Relay,Connector.Our parts cover such applications as commercial,industrial, and automotives areas.

We are looking forward to setting up business relationship with you and hope to provide you with the best service and solution. Let us make a better world for our industry!



Contact us

Tel: +86-755-8981 8866 Fax: +86-755-8427 6832

Email & Skype: info@chipsmall.com Web: www.chipsmall.com

Address: A1208, Overseas Decoration Building, #122 Zhenhua RD., Futian, Shenzhen, China



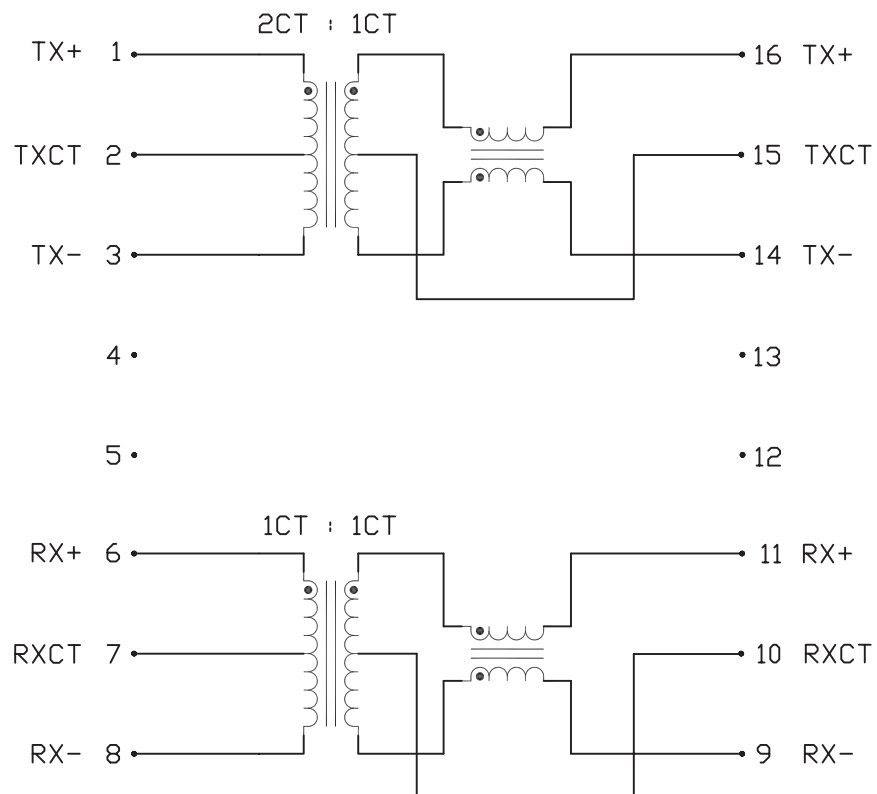
THE INFORMATION CONTAINED HEREIN IS CONSIDERED "PROPRIETARY" TO BEL FUSE INC. AND SHALL NOT BE COPIED, REPRODUCED OR DISCLOSED WITHOUT THE WRITTEN APPROVAL OF BEL FUSE INC.

RoHS
2002/95/EC



ELECTRICAL SPECIFICATIONS @25°C

SCHEMATIC



URNS RATIO

Tx 1-2-3 : 16-15-14

Rx 6-7-8 : 11-10-9

2CT : 1CT

1CT : 1CT

POLARITY

PER DOT CONVENTION

□CL

(16-14) : (11-9)

350μH MIN.

@100kHz, 100mVrms
WITH 8mA DC BIAS

LEAKAGE INDUCTANCE, L_e

(16-14) short (1-3)

(11-9) short (6-8)

300nH MAX.

@1MHz, 20mVrms

INTERWINDING CAPACITANCE, C_{ww}

(1-3) TO (16-14)

(6-8) TO (11-9)

25pF MAX.

@1MHz, 20mVrms

INSERTION LOSS

300kHz-100MHz

1.2dB MAX

RETURN LOSS

300kHz-30MHz

30MHz-60MHz

60MHz-80MHz

16dB MIN

16-20 LOG(f/30MHz) dB MIN

10dB MIN

CROSSTALK

300kHz-100MHz

35dB MIN

CM TO CM REJ.

300kHz-100MHz

30dB MIN

CM TO DM REJ.

300kHz-100MHz

40dB MIN

HIPOT

PER HAND-WORK-03

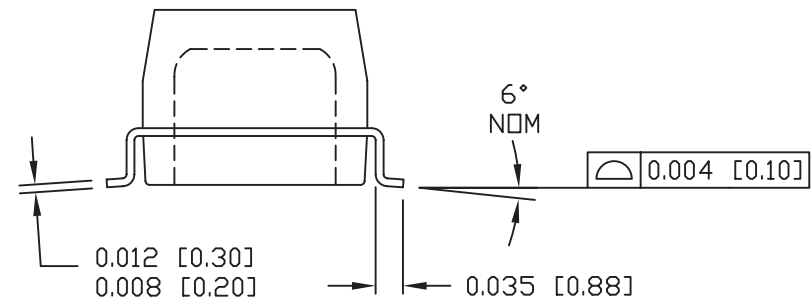
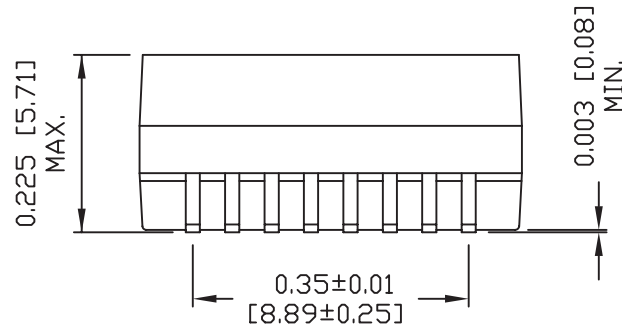
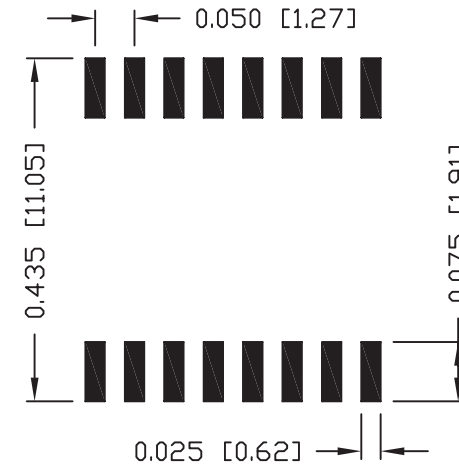
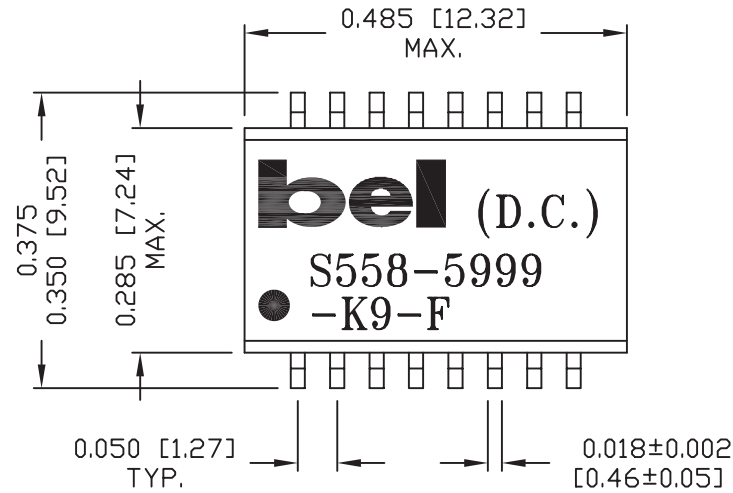
ORIGINATED BY	DATE	TITLE	PART NO. / DRAWING NO.	STANDARD DIM. TOL. IN INCH	[] METRIC DIM. AS REFERENCE
CHAN CH	08-04-09	ELECTRICAL SPECIFICATION S558-5999-K9-F	X5585999K9-F	.X	UNIT : INCH [mm] REV. : B
DRAWN BY	DATE		FILE NAME	.XX	SCALE : N/A SIZE : A4
JM CHEN	08-04-09		X5585999K9F.B.DWG	.XXX	PAGE : 2



THE INFORMATION CONTAINED HEREIN IS CONSIDERED "PROPRIETARY" TO BEL FUSE INC. AND SHALL NOT BE COPIED, REPRODUCED OR DISCLOSED WITHOUT THE WRITTEN APPROVAL OF BEL FUSE INC.



SUGGESTED PCB PAD LAYOUT



NOTES:

1. STANDARD MARKING REFER TO DDC. HAND-WORK-04.
2. PACKAGE CODE: "QBS001".

ORIGINATED BY	DATE	TITLE	PART NO. / DRAWING NO.	STANDARD DIM. TOL. IN INCH	[] METRIC DIM. AS REFERENCE	 COMPONENTS FOR A CONNECTED PLANET	
CHAN CH	08-04-09	MECHANICAL OUTLINE	X5585999K9-F	.X	UNIT : INCH [mm]		REV. : B
DRAWN BY	DATE	S558-5999-K9-F	FILE NAME	.XX ±0.01	SCALE : N/A		SIZE : A4
JM CHEN	08-04-09		X5585999K9FB.DWG	.XXX ±0.005			PAGE : 3