



Chipsmall Limited consists of a professional team with an average of over 10 year of expertise in the distribution of electronic components. Based in Hongkong, we have already established firm and mutual-benefit business relationships with customers from,Europe,America and south Asia,supplying obsolete and hard-to-find components to meet their specific needs.

With the principle of “Quality Parts,Customers Priority,Honest Operation,and Considerate Service”,our business mainly focus on the distribution of electronic components. Line cards we deal with include Microchip,ALPS,ROHM,Xilinx,Pulse,ON,Everlight and Freescale. Main products comprise IC,Modules,Potentiometer,IC Socket,Relay,Connector.Our parts cover such applications as commercial,industrial, and automotives areas.

We are looking forward to setting up business relationship with you and hope to provide you with the best service and solution. Let us make a better world for our industry!



Contact us

Tel: +86-755-8981 8866 Fax: +86-755-8427 6832

Email & Skype: info@chipsmall.com Web: www.chipsmall.com

Address: A1208, Overseas Decoration Building, #122 Zhenhua RD., Futian, Shenzhen, China

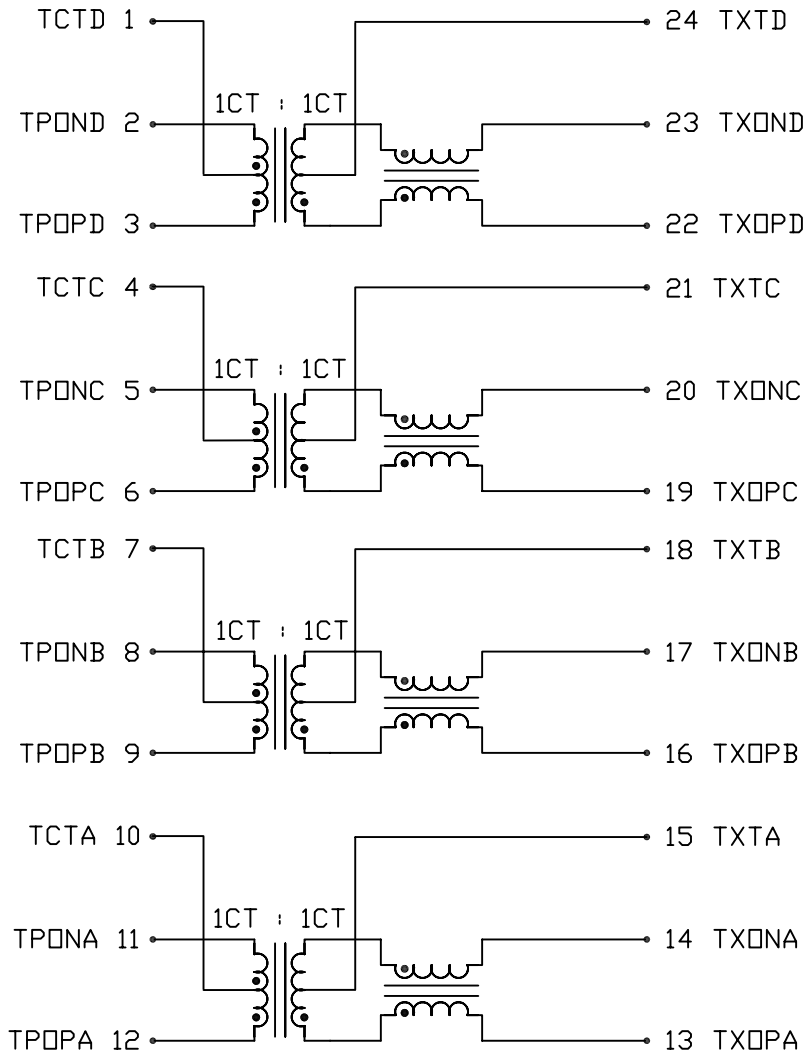


THE INFORMATION CONTAINED HEREIN IS CONSIDERED "PROPRIETARY" TO BEL FUSE INC. AND SHALL NOT BE COPIED, REPRODUCED OR DISCLOSED WITHOUT THE WRITTEN APPROVAL OF BEL FUSE INC.



ELECTRICAL CHARACTERISTICS @ 25°C

SCHEMATIC



URNS RATIO

PIN(3-1-2) : (22-24-23)
 PIN(6-4-5) : (19-21-20)
 PIN(9-7-8) : (16-18-17)
 PIN(12-10-11) : (13-15-14)

1CT : 1CT
 1CT : 1CT
 1CT : 1CT
 1CT : 1CT

CL

350μH MIN. @ 100kHz, 100mV
 WITH 8mA DC BIAS

INSERTION LOSS

1.1dB MAX. @ 0.1 TO 1MHz
 0.5dB MAX. @ 1 TO 65MHz
 1.0dB MAX. @ 80MHz
 1.2dB MAX. @ 125MHz

RETURN LOSS

UNDER 100 OHMS±15% ENVIRONMENT

18dB MIN. @ 0.5 TO 40 MHz
 12-20LOG (f/80MHz) MIN. @
 40 TO 100 MHz

COMMON TO COMMON REJECTION

30dB MIN. @ 0.1 TO 100 MHz

CROSSTALK

33-20LOG (f/100MHz) dB MIN.
 @ 1 TO 100MHz

HIPOT

PER HAND-WORK-03

REV. : B PAGE : 2

ORIGINATED BY	DATE
Alice Pang	2015-01-28
DRAWN BY	DATE
ZC Guo	2015-01-28

TITLE
ELECTRICAL SPECIFICATION
S558-5999-M8-F

PART NO. / DRAWING NO.
X5585999M8-F
FILE NAME
X5585999M8FB.DWG

STANDARD DIM.	[] METRIC DIM. AS REF.
TOL. IN INCH	
.X	
.XX	
.XXX	

UNIT : INCH [mm]
SCALE : N/A
SIZE : A4

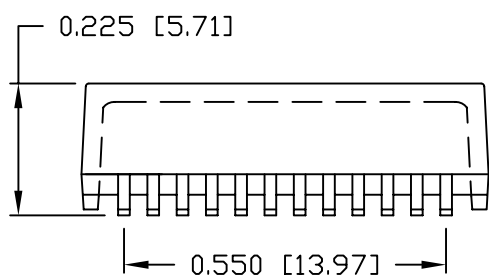
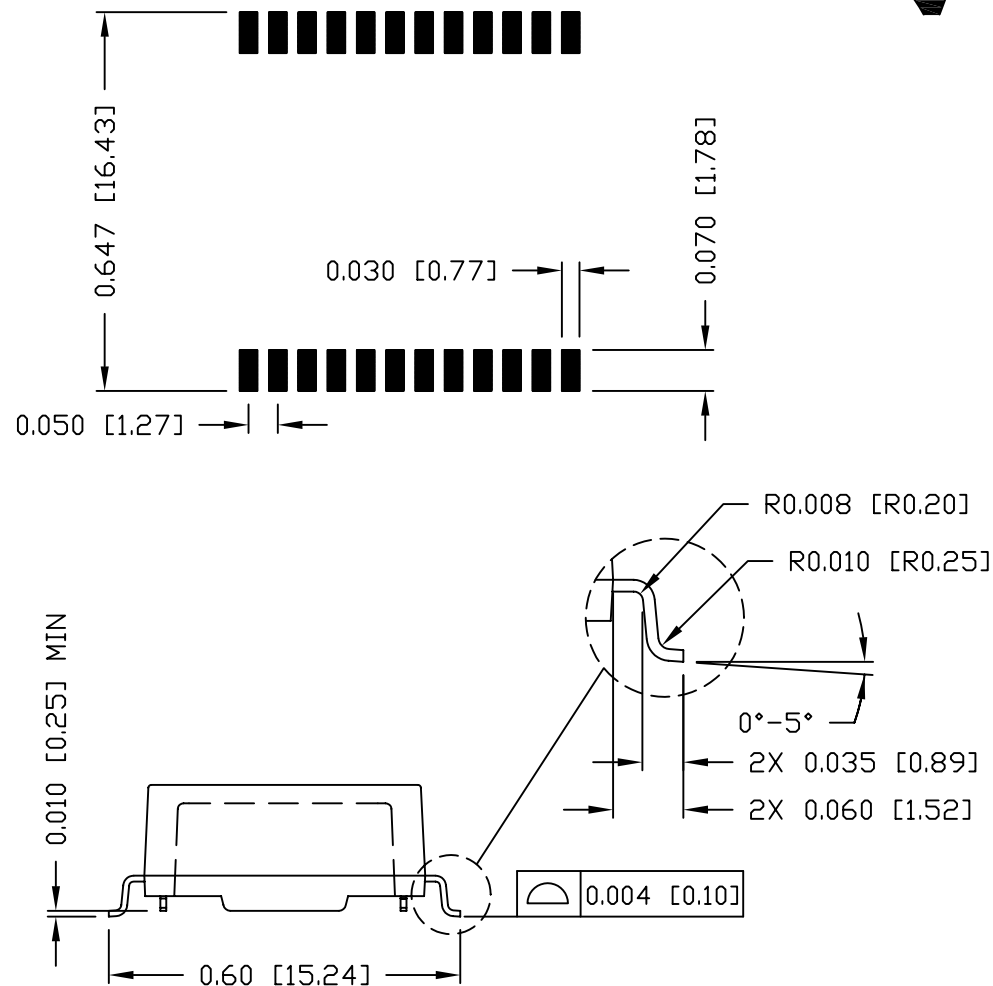
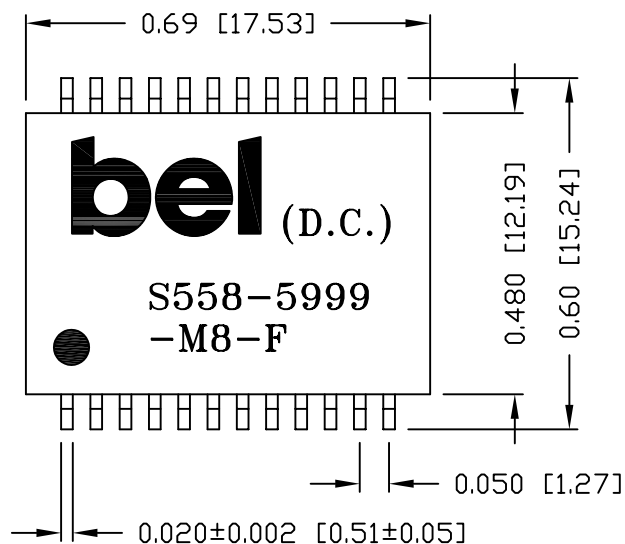


THE INFORMATION CONTAINED HEREIN IS CONSIDERED "PROPRIETARY" TO BEL FUSE INC. AND SHALL NOT BE COPIED, REPRODUCED OR DISCLOSED WITHOUT THE WRITTEN APPROVAL OF BEL FUSE INC.

RoHS



SUGGESTED PCB PAD LAYOUT



NOTES:

- STANDARD MARKING REFER TO DOC. HAND-WORK-04.
- PACKAGE CODE: "RQS001".

REV. : B PAGE : 3

ORIGINATED BY	DATE	TITLE	PART NO. / DRAWING NO.	STANDARD DIM.	[] METRIC DIM. AS REF.
Lawrence Tsang	2015-01-28	MECHANICAL DRAWING S558-5999-M8-F	X5585999M8-F	TOL. IN INCH	UNIT : INCH [mm]
DRAWN BY	DATE		FILE NAME	.X	SCALE : N/A
ZC Guo	2015-01-28		X5585999M8FB.DWG	.XX ±0.01	SIZE : A4
				.XXX ±0.005	

