



Chipsmall Limited consists of a professional team with an average of over 10 year of expertise in the distribution of electronic components. Based in Hongkong, we have already established firm and mutual-benefit business relationships with customers from,Europe,America and south Asia,supplying obsolete and hard-to-find components to meet their specific needs.

With the principle of “Quality Parts,Customers Priority,Honest Operation,and Considerate Service”,our business mainly focus on the distribution of electronic components. Line cards we deal with include Microchip,ALPS,ROHM,Xilinx,Pulse,ON,Everlight and Freescale. Main products comprise IC,Modules,Potentiometer,IC Socket,Relay,Connector.Our parts cover such applications as commercial,industrial, and automotives areas.

We are looking forward to setting up business relationship with you and hope to provide you with the best service and solution. Let us make a better world for our industry!



Contact us

Tel: +86-755-8981 8866 Fax: +86-755-8427 6832

Email & Skype: info@chipsmall.com Web: www.chipsmall.com

Address: A1208, Overseas Decoration Building, #122 Zhenhua RD., Futian, Shenzhen, China



10/100BASE-T LAN MAGNETICS

Single Port Transformer Modules

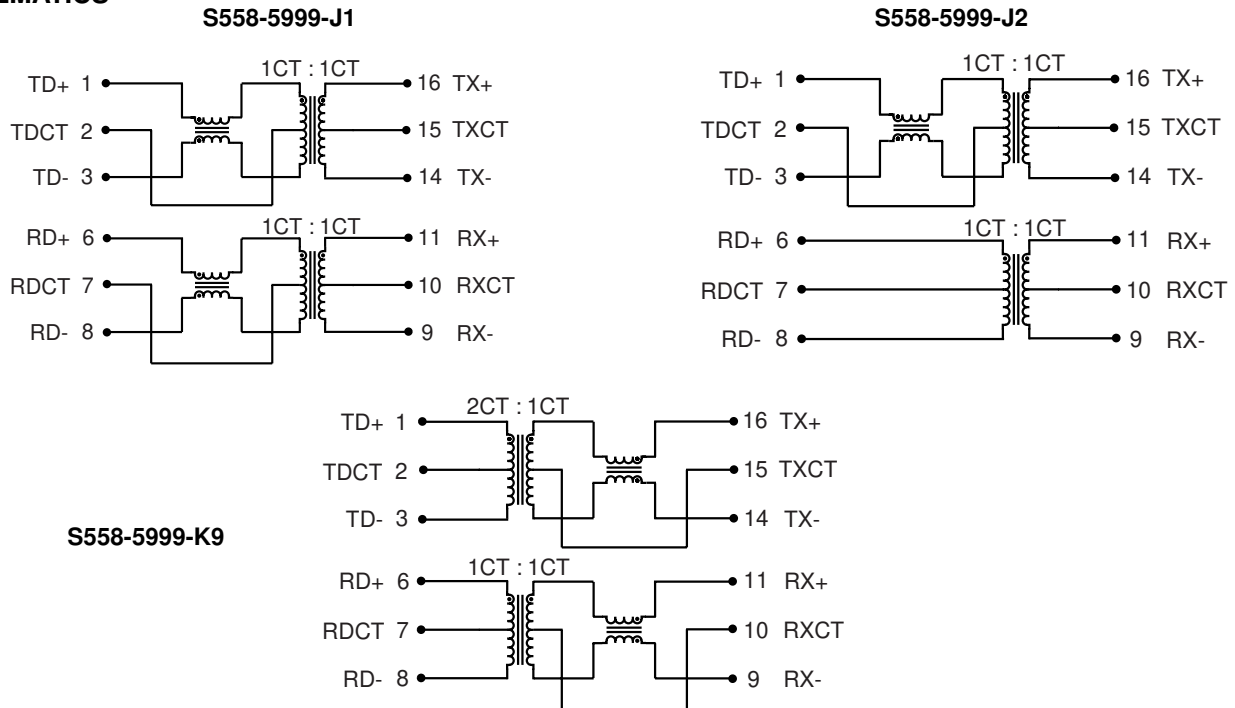
LM00406

- Meets all IEEE 802.3 standards including 350μH with 8mA bias
- Low profile, surface mount packaging rated to 225° C peak IR reflow temperature
- Small form factor for board layout efficiency
- Operating temperature 0° to 70° C
- Minimum interwinding breakdown voltage of 1500 Vrms

ELECTRICAL SPECIFICATIONS AT 25° C

Part Number	Turns Ratio		Insertion Loss dB max	Return Loss dB min				Common to Differential Mode Rejection dB min	Common to Common Mode Rejection dB min	Crosstalk dB min			
	TX	RX		100kHz to 100MHz	100kHz to 30MHz	30MHz to 60MHz	60MHz to 80MHz			100kHz to 100MHz	1MHz	30MHz	60MHz
S558-5999-J1	1CT : 1CT	1CT : 1CT	-1.0	-16	16 - 20log (f/30MHz)	-10	-40	-30	-65	-55	-45	-35	
S558-5999-J2	1CT : 1CT	1CT : 1CT	-1.0	-16	16 - 20log (f/30MHz)	-10	-38	-30	-60	-50	-40	-30	
S558-5999-K9	2CT : 1CT	1CT : 1CT	-1.1	-16	16 - 20log (f/30MHz)	-10	-40	-30	-65	-55	-45	-40	
S558-5999-N3	1CT : 1.41CT	1CT : 1CT	-2.0	-16	16 - 20log (f/30MHz)	-10	-40	-30	-65	-55	-45	-35	
S558-5999-T7	1CT : 1CT	1CT : 1CT	-1.0	-18	18 - 20log (f/30MHz)	-12	-40	-30	-65	-55	-45	-35	
S558-5999-U7	1CT : 1CT	1CT : 1CT	-1.0	-18	18 - 20log (f/30MHz)	-12	-40	-30	-65	-55	-45	-35	

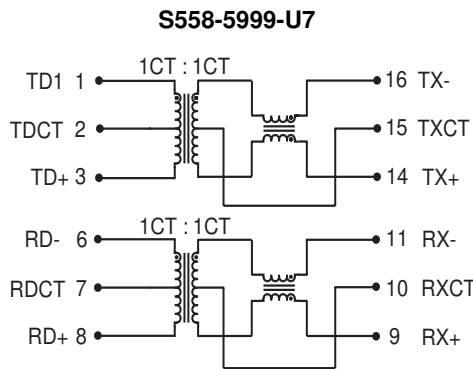
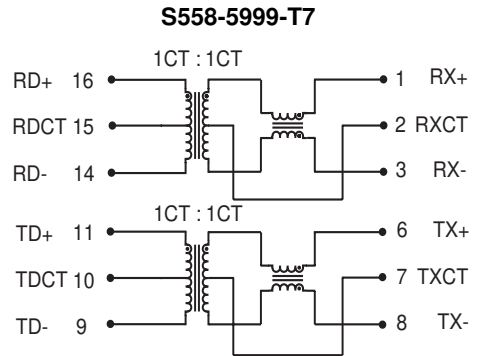
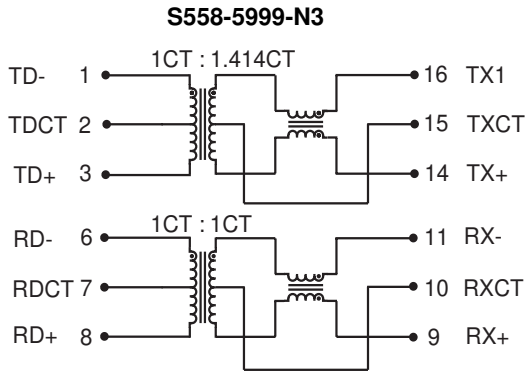
SCHEMATICS



©2006 Bel Fuse Inc. Specifications subject to change without notice. 03.06

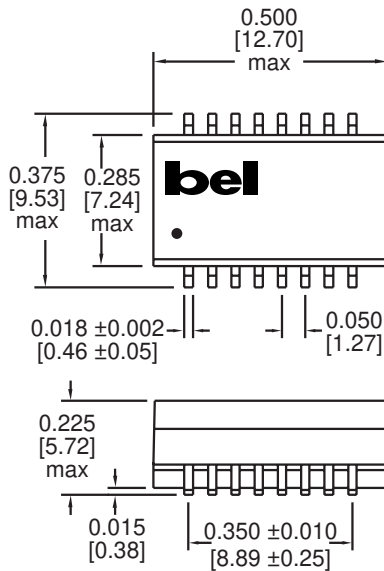
LM00406

SCHEMATICS

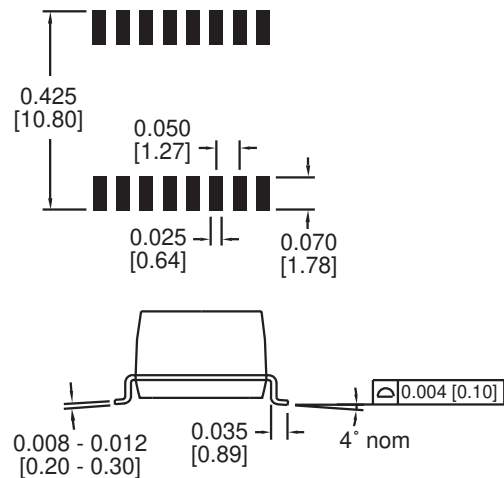


MECHANICAL

S558-5999-J1
S558-5999-J2
S558-5999-K9
S558-5999-N3
S558-5999-T7
S558-5999-U7



Suggested PCB Pad Layout



Dimensions are in inches [millimeters].

Standard dimension tolerance is ± 0.005 [0.13] unless otherwise noted.

©2006 Bel Fuse Inc. Specifications subject to change without notice. 03.06

CORPORATE

Bel Fuse Inc.
206 Van Vorst Street
Jersey City, NJ 07302
Tel 201-432-0463
Fax 201-432-9542
www.belfuse.com

FAR EAST

Bel Fuse Ltd.
8F / 8 Luk Hop Street
San Po Kong
Kowloon, Hong Kong
Tel 852-2328-5515
Fax 852-2352-3706
www.belfuse.com

EUROPE

Bel Fuse Europe Ltd.
Preston Technology Management Centre
Marsh Lane, Suite G7, Preston
Lancashire, PR1 8UD, U.K.
Tel 44-1772-556601
Fax 44-1772-888366
www.belfuse.com