



Chipsmall Limited consists of a professional team with an average of over 10 year of expertise in the distribution of electronic components. Based in Hongkong, we have already established firm and mutual-benefit business relationships with customers from,Europe,America and south Asia,supplying obsolete and hard-to-find components to meet their specific needs.

With the principle of “Quality Parts,Customers Priority,Honest Operation,and Considerate Service”,our business mainly focus on the distribution of electronic components. Line cards we deal with include Microchip,ALPS,ROHM,Xilinx,Pulse,ON,Everlight and Freescale. Main products comprise IC,Modules,Potentiometer,IC Socket,Relay,Connector.Our parts cover such applications as commercial,industrial, and automotives areas.

We are looking forward to setting up business relationship with you and hope to provide you with the best service and solution. Let us make a better world for our industry!



Contact us

Tel: +86-755-8981 8866 Fax: +86-755-8427 6832

Email & Skype: info@chipsmall.com Web: www.chipsmall.com

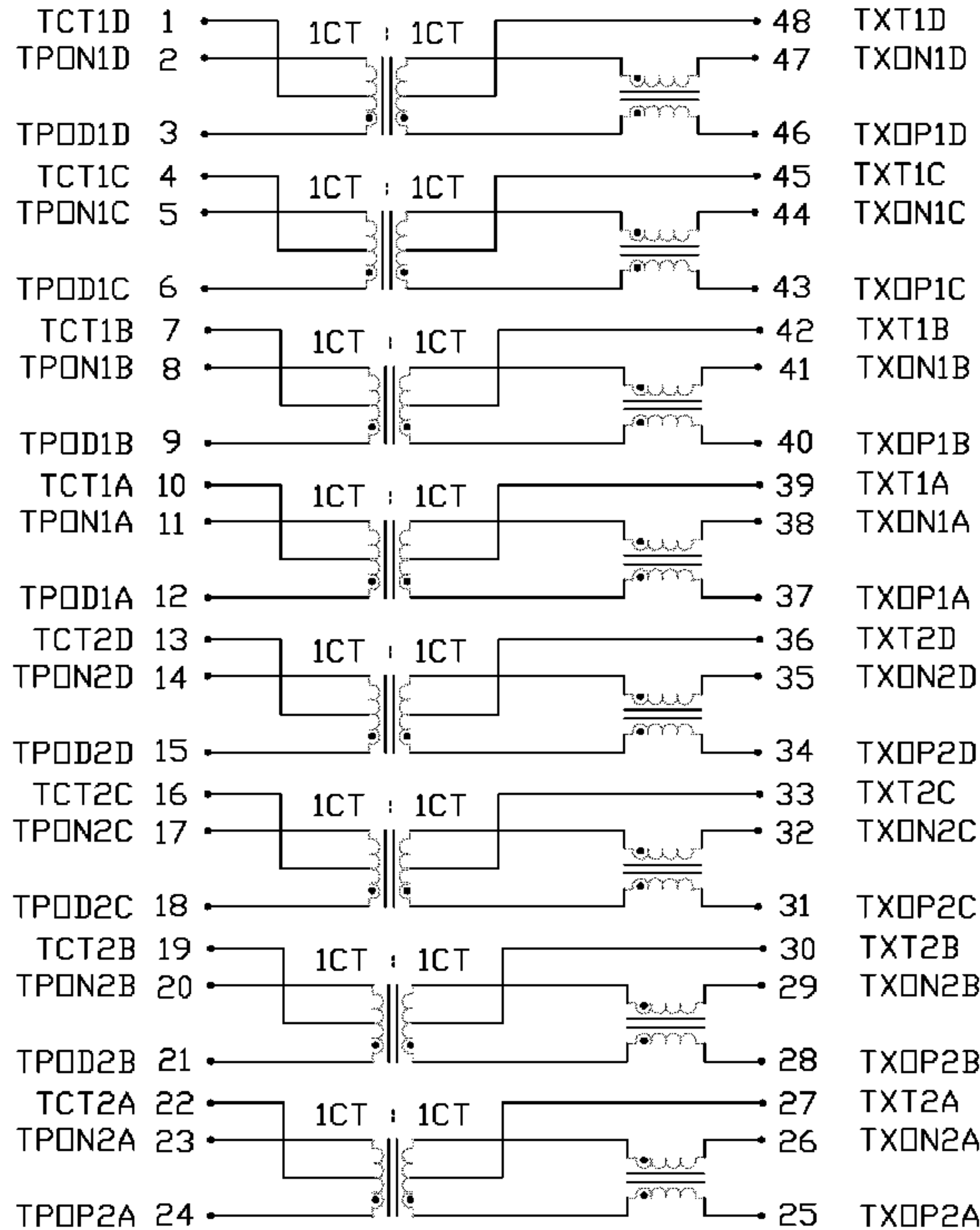
Address: A1208, Overseas Decoration Building, #122 Zhenhua RD., Futian, Shenzhen, China



THE INFORMATION CONTAINED HEREIN IS CONSIDERED "PROPRIETARY" TO BEL FUSE INC. AND SHALL NOT BE COPIED, REPRODUCED OR DISCLOSED WITHOUT THE WRITTEN APPROVAL OF BEL FUSE INC.



SCHEMATIC



ELECTRICAL CHARACTERISTICS @ 25°C

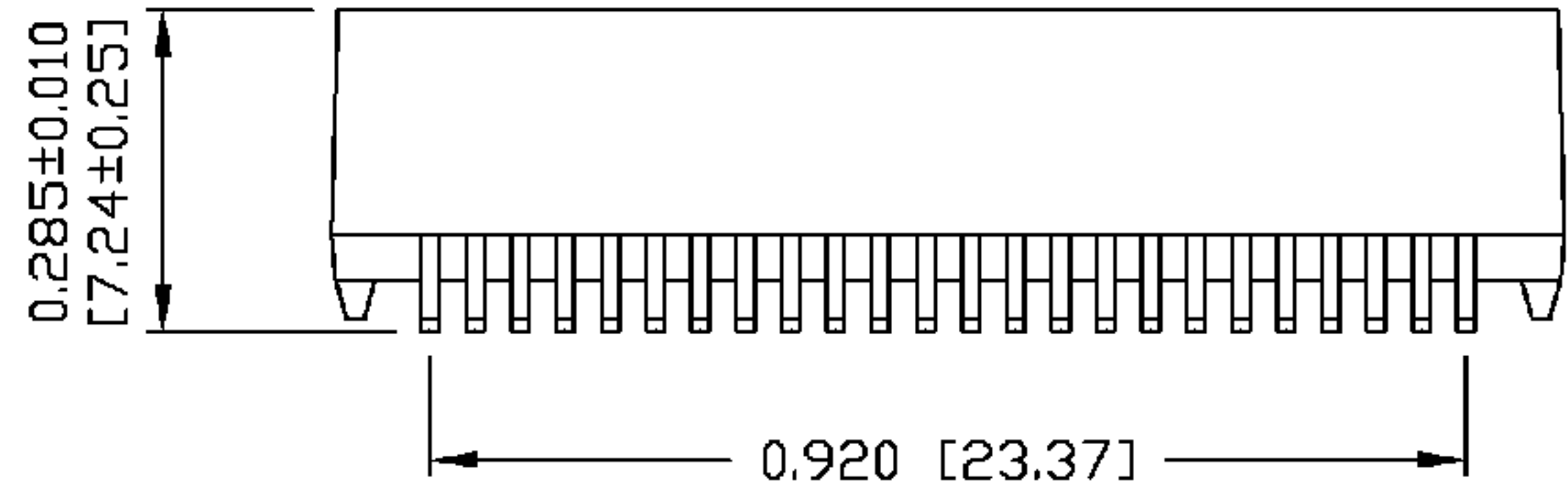
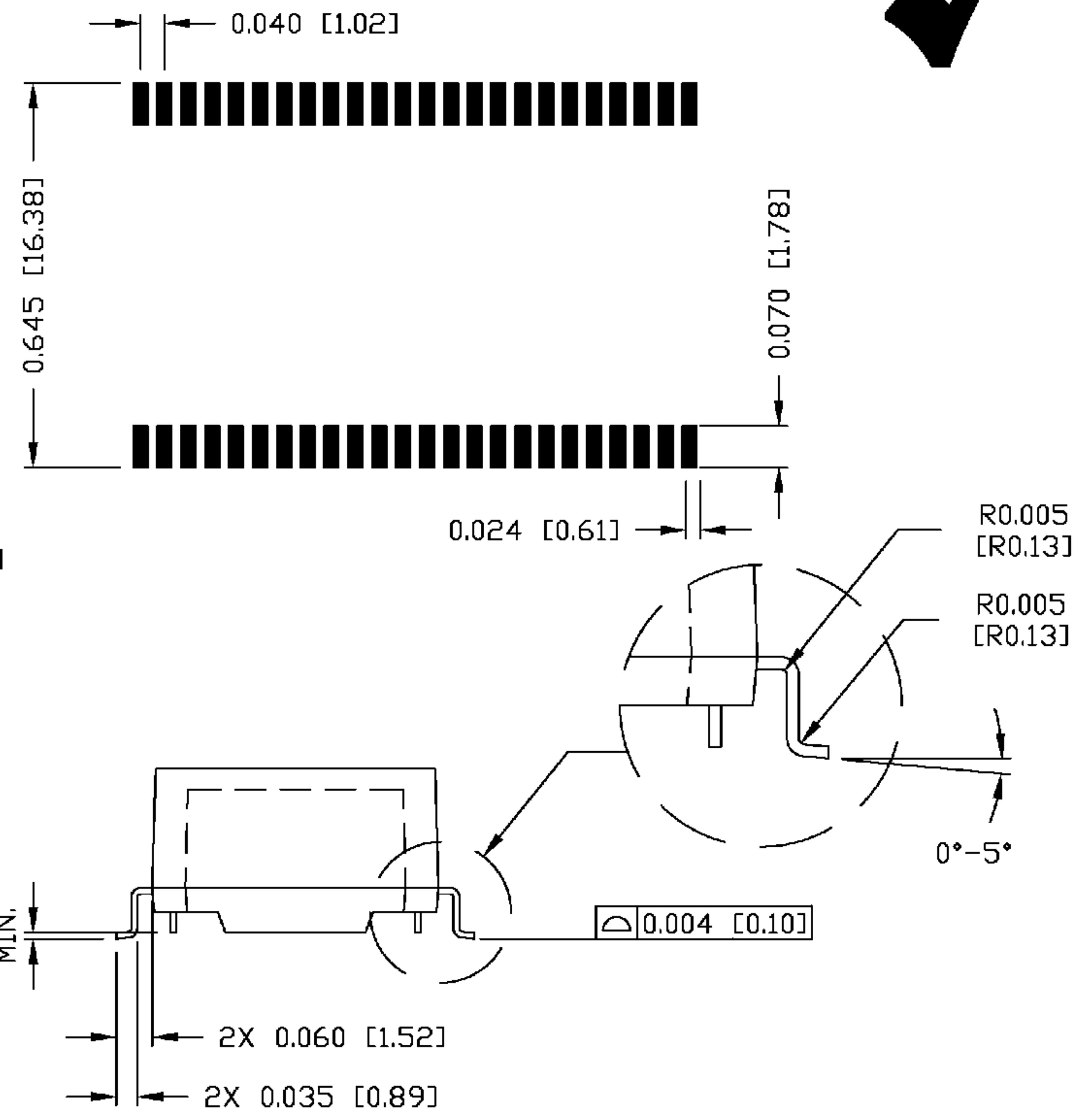
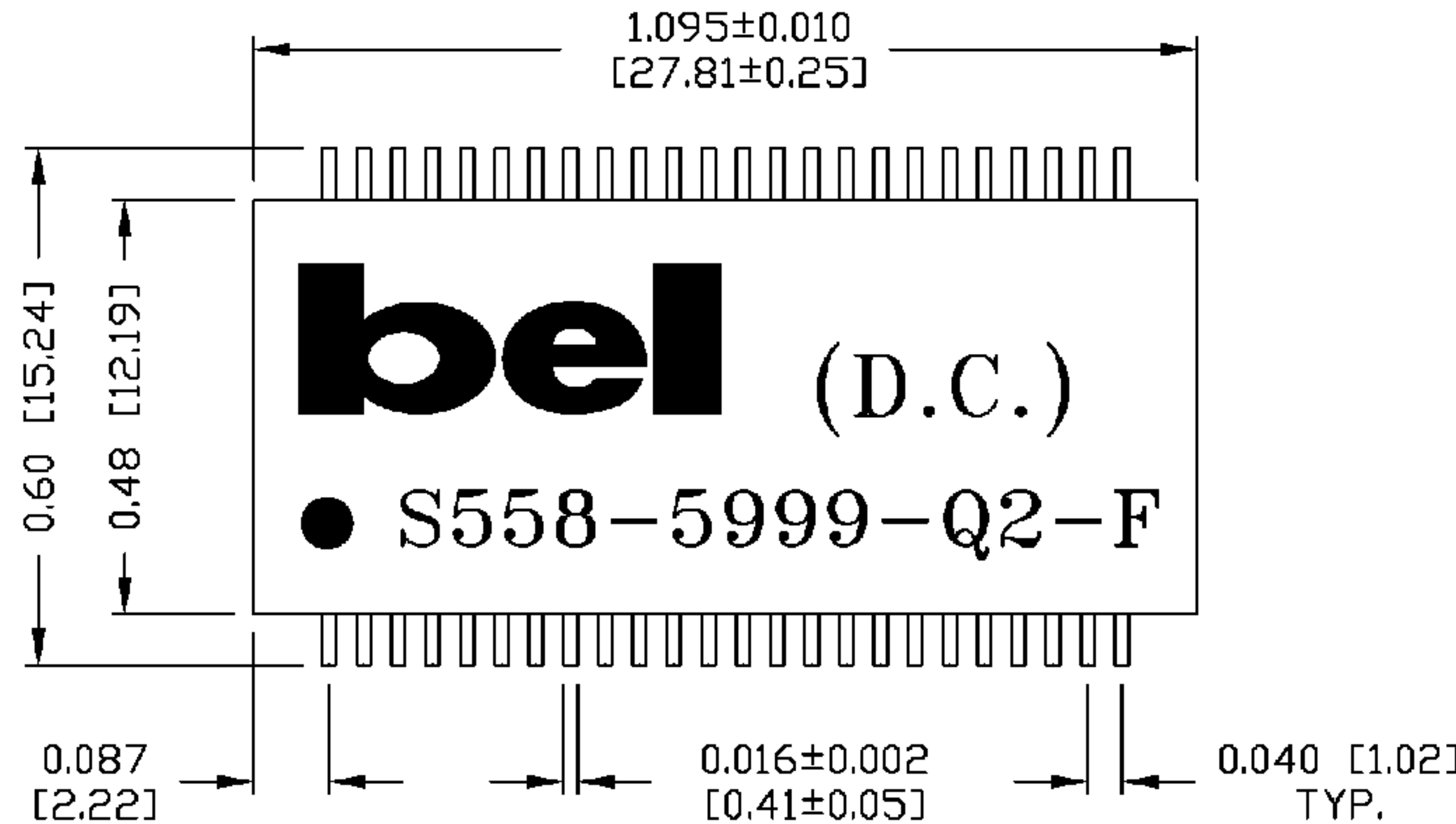
URNS RATIO	1CT : 1CT ±2%										
QCL	350µH MIN. @100kHz, 100mV, WITH 8mA D.C. BIAS PIN (46-47), (43-44), (40-41), (37-38) PIN (34-35), (31-32), (28-29), (25-26)										
INSERTION LOSS	<table border="1"> <thead> <tr> <th>FREQ.</th> <th>1MHz</th> <th>65MHz</th> <th>100MHz</th> <th>125MHz</th> </tr> </thead> <tbody> <tr> <td>MAX.</td> <td>1.1dB</td> <td>0.5dB</td> <td>0.8dB</td> <td>1.2dB</td> </tr> </tbody> </table>	FREQ.	1MHz	65MHz	100MHz	125MHz	MAX.	1.1dB	0.5dB	0.8dB	1.2dB
FREQ.	1MHz	65MHz	100MHz	125MHz							
MAX.	1.1dB	0.5dB	0.8dB	1.2dB							
RETURN LOSS MEASURED UNDER A 100 Ω ENVIRONMENT	18dB MIN. @ 0.5 TO 40 MHz 12-20LOG(f/80MHz)dB MIN. @ 40 TO 100MHz										
COMMON TO COMMON MODE REJECTION	30dB MIN. @ 0.1 TO 100MHz										
CROSSTALK	33-20LOG(f/100MHz)dB MIN. @ 1 TO 100MHz										
HIPOT	PER HAND-WORK-03										

ORIGINATED BY HQ	DATE 04-26-06	TITLE ELECTRICAL SPECIFICATION	PART NO. / DRAWING NO. X5585999Q2-F	STANDARD DIM. TOL. IN INCH	[] METRIC DIM. AS REFERENCE	 COMPONENTS FOR A CONNECTED PLANET	
DRAWN BY DQ Chen	DATE 04-26-06	S558-5999-Q2-F	FILE NAME X5585999Q2FA.DWG	.X	UNIT : INCH [mm]		REV. : A
				.XX	SCALE : N/A		SIZE : A4
				.XXX			PAGE : 2

THE INFORMATION CONTAINED HEREIN IS CONSIDERED "PROPRIETARY" TO BEL FUSE INC. AND SHALL NOT BE COPIED, REPRODUCED OR DISCLOSED WITHOUT THE WRITTEN APPROVAL OF BEL FUSE INC.



SUGGESTED PCB PAD LAYOUT



NOTES:

- STANDARD MARKING REFER TO DOC. HAND-WORK-04.
- PACKAGE CODE: "QVS001".

ORIGINATED BY	DATE	TITLE	PART NO. / DRAWING NO.	STANDARD DIM. TOL. IN INCH	[] METRIC DIM. AS REFERENCE
HO	04-26-06	MECHANICAL DRAWING	X5585999Q2-F	.X	UNIT : INCH [mm] REV. : A
DRAWN BY	DATE	S558-5999-Q2-F	FILE NAME	.XX ±0.01	SCALE : N/A SIZE : A4
DQ Chen	04-26-06		X5585999Q2FA.DWG	.XXX ±0.005	PAGE : 3

