



Chipsmall Limited consists of a professional team with an average of over 10 year of expertise in the distribution of electronic components. Based in Hongkong, we have already established firm and mutual-benefit business relationships with customers from,Europe,America and south Asia,supplying obsolete and hard-to-find components to meet their specific needs.

With the principle of “Quality Parts,Customers Priority,Honest Operation,and Considerate Service”,our business mainly focus on the distribution of electronic components. Line cards we deal with include Microchip,ALPS,ROHM,Xilinx,Pulse,ON,Everlight and Freescale. Main products comprise IC,Modules,Potentiometer,IC Socket,Relay,Connector.Our parts cover such applications as commercial,industrial, and automotives areas.

We are looking forward to setting up business relationship with you and hope to provide you with the best service and solution. Let us make a better world for our industry!



## Contact us

Tel: +86-755-8981 8866 Fax: +86-755-8427 6832

Email & Skype: info@chipsmall.com Web: www.chipsmall.com

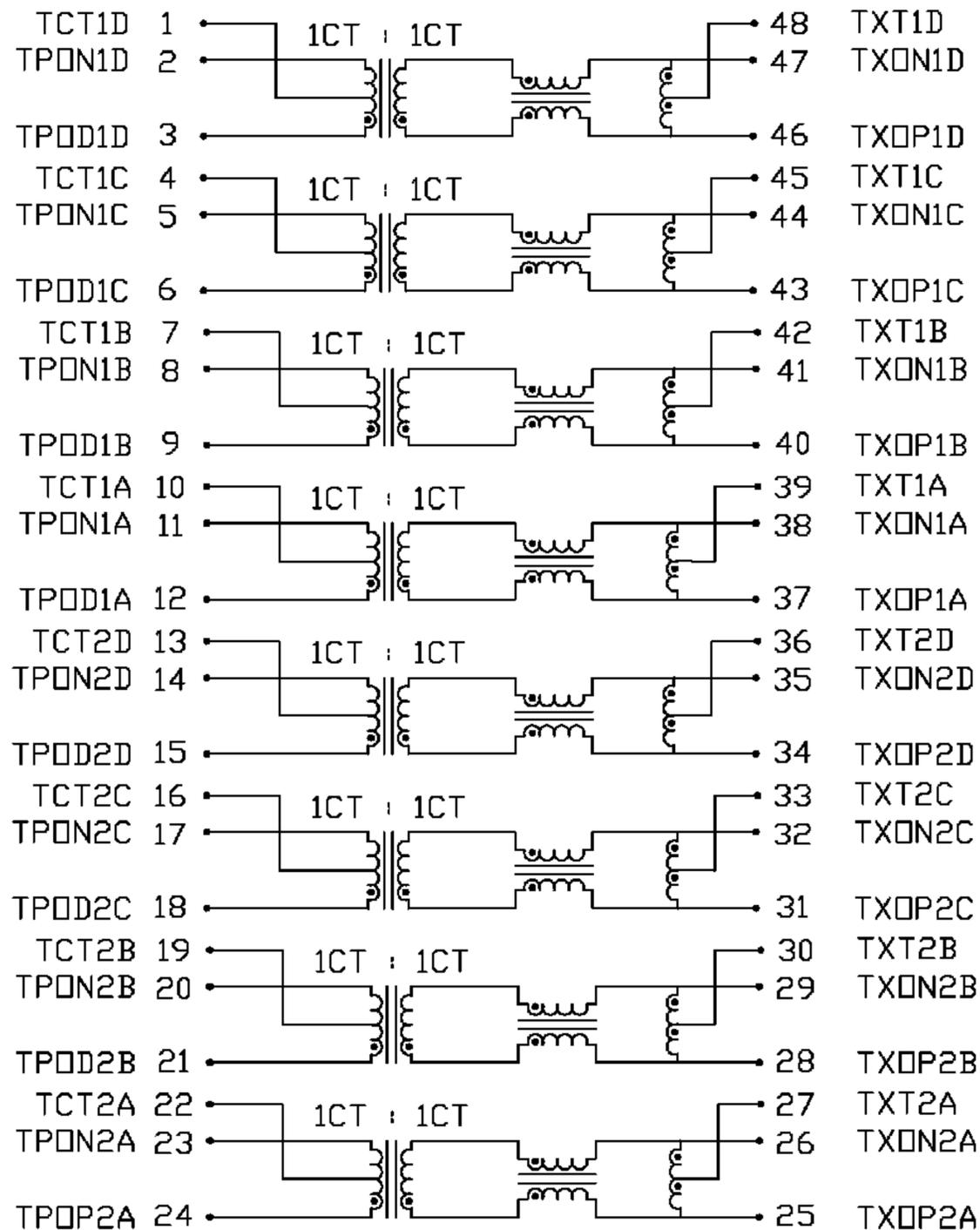
Address: A1208, Overseas Decoration Building, #122 Zhenhua RD., Futian, Shenzhen, China



THE INFORMATION CONTAINED HEREIN IS CONSIDERED "PROPRIETARY" TO BEL FUSE INC. AND SHALL NOT BE COPIED, REPRODUCED OR DISCLOSED WITHOUT THE WRITTEN APPROVAL OF BEL FUSE INC.



**SCHEMATIC**



**ELECTRICAL CHARACTERISTICS @ 25°C**

URNS RATIO

Tx SIDE: 1CT : 1CT

QCL

350μH MIN.

@100kHz, 100mV, WITH 8mA DC BIAS.

PIN (46-47), (43-44), (40-41), (37-38)

PIN (34-35), (31-32), (28-29), (25-26)

INSERTION LOSS

FREQ.	1MHz	65MHz	100MHz	125MHz
MAX.	1.1dB	0.5dB	0.9dB	1.5dB

RETURN LOSS

MEASURED UNDER A 100 Ω ENVIRONMENT

18dB MIN. @ 0.5 TO 40 MHz

12-20LOG(f/80MHz)dB MIN. @ 40 TO 100MHz.

COMMON TO COMMON MODE REJECTION

30dB MIN. @ 0.1 TO 100MHz.

CROSSTALK

33-20LOG(f/100MHz)dB MIN. @ 1 TO 100MHz.

HIPOT

PER HAND-WORK-03

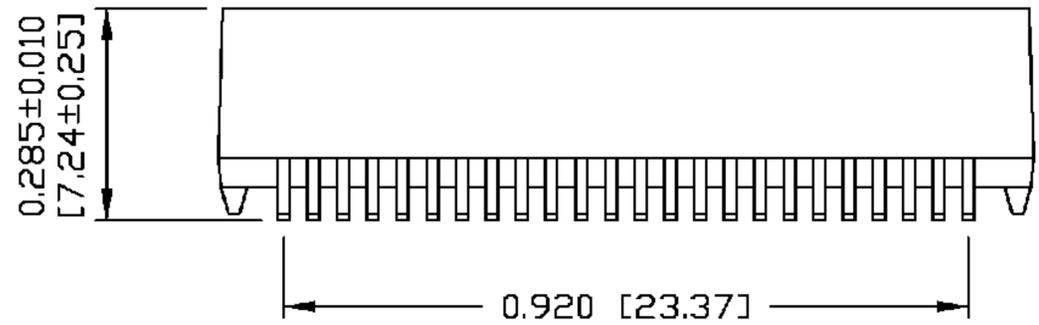
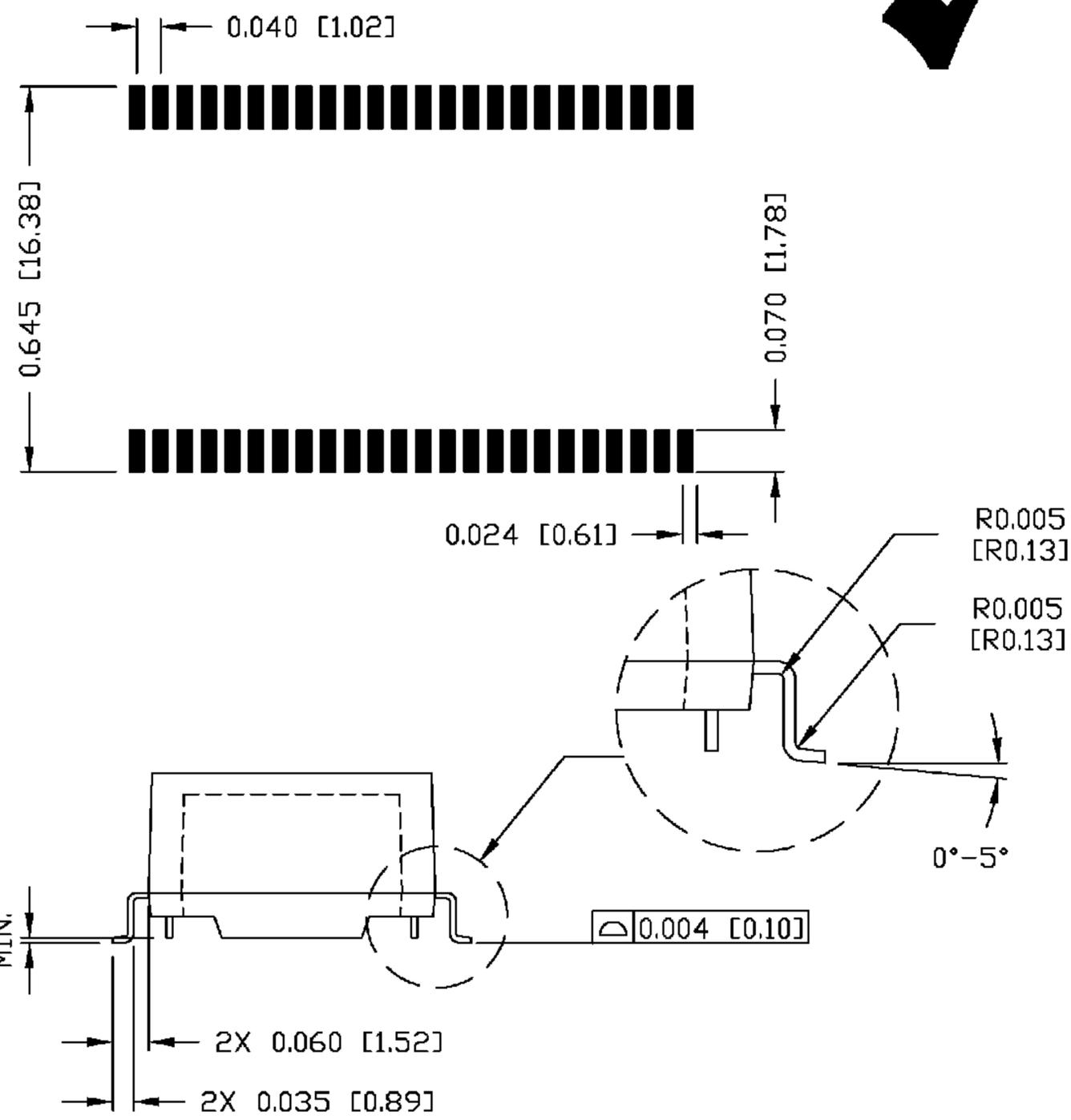
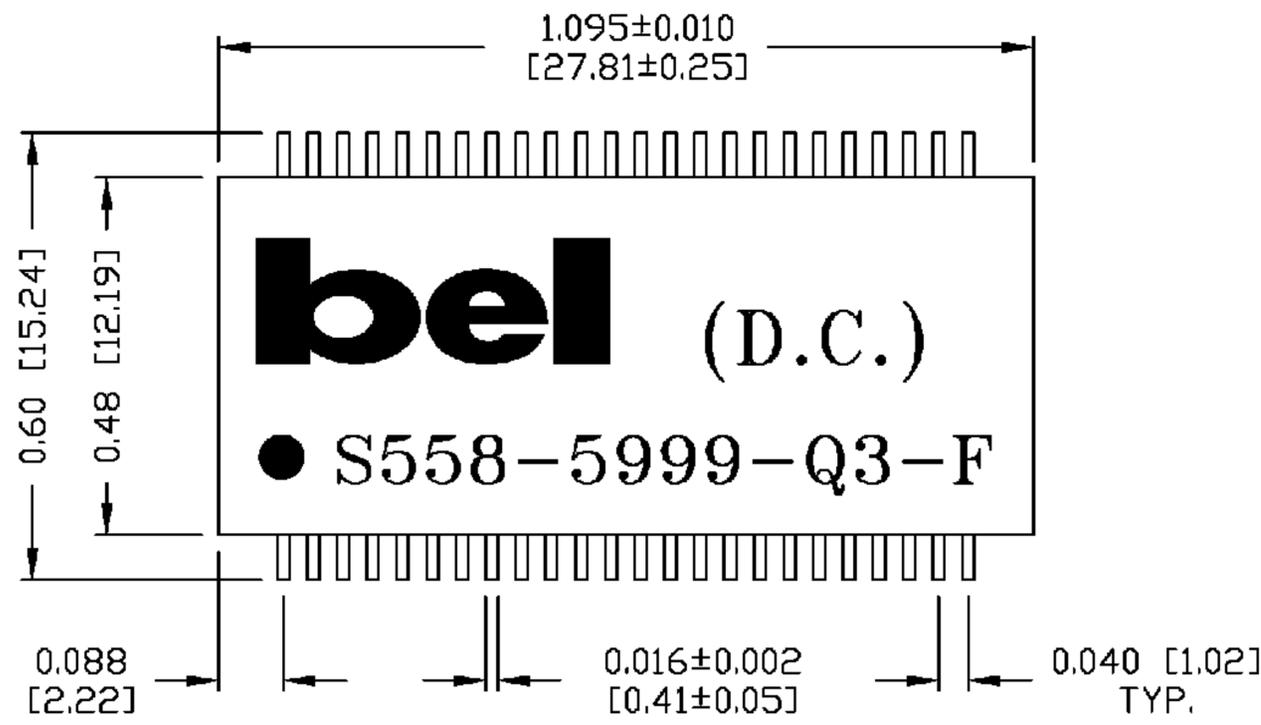
ORIGINATED BY	DATE	TITLE	PART NO. / DRAWING NO.	STANDARD DIM. TOL. IN INCH	[ ] METRIC DIM. AS REFERENCE
HO	08-10-05	DUAL 1000BASE-T	X5585999Q3-F	.X	UNIT : INCH [mm] REV. : A
DRAWN BY	DATE	S558-5999-Q3-F	FILE NAME	.XX	SCALE : N/A SIZE : A4
DQ Chen	08-10-05		X5585999Q3FA.DWG	.XXX	PAGE : 2



THE INFORMATION CONTAINED HEREIN IS CONSIDERED "PROPRIETARY" TO BEL FUSE INC. AND SHALL NOT BE COPIED, REPRODUCED OR DISCLOSED WITHOUT THE WRITTEN APPROVAL OF BEL FUSE INC.



SUGGESTED PCB PAD LAYOUT



NOTES:

1. STANDARD MARKING REFER TO DOC. HAND-WORK-04.
2. PACKAGE CODE: "QVS001".

ORIGINATED BY	DATE	TITLE	PART NO. / DRAWING NO.	STANDARD DIM. TOL. IN INCH	[ ] METRIC DIM. AS REFERENCE	 COMPONENTS FOR A CONNECTED PLANET
HO	08-10-05	MECHANICAL DRAWING S558-5999-Q3-F	X5585999Q3-F	.X	UNIT : INCH [mm]	
DRAWN BY	DATE		FILE NAME	.XX ±0.01	SCALE : N/A	
DQ Chen	08-10-05	X5585999Q3FA.DWG	.XXX ±0.005	REV. : A		
					SIZE : A4	
					PAGE : 3	