



Chipsmall Limited consists of a professional team with an average of over 10 year of expertise in the distribution of electronic components. Based in Hongkong, we have already established firm and mutual-benefit business relationships with customers from,Europe,America and south Asia,supplying obsolete and hard-to-find components to meet their specific needs.

With the principle of “Quality Parts,Customers Priority,Honest Operation,and Considerate Service”,our business mainly focus on the distribution of electronic components. Line cards we deal with include Microchip,ALPS,ROHM,Xilinx,Pulse,ON,Everlight and Freescale. Main products comprise IC,Modules,Potentiometer,IC Socket,Relay,Connector.Our parts cover such applications as commercial,industrial, and automotives areas.

We are looking forward to setting up business relationship with you and hope to provide you with the best service and solution. Let us make a better world for our industry!



## Contact us

Tel: +86-755-8981 8866 Fax: +86-755-8427 6832

Email & Skype: info@chipsmall.com Web: www.chipsmall.com

Address: A1208, Overseas Decoration Building, #122 Zhenhua RD., Futian, Shenzhen, China

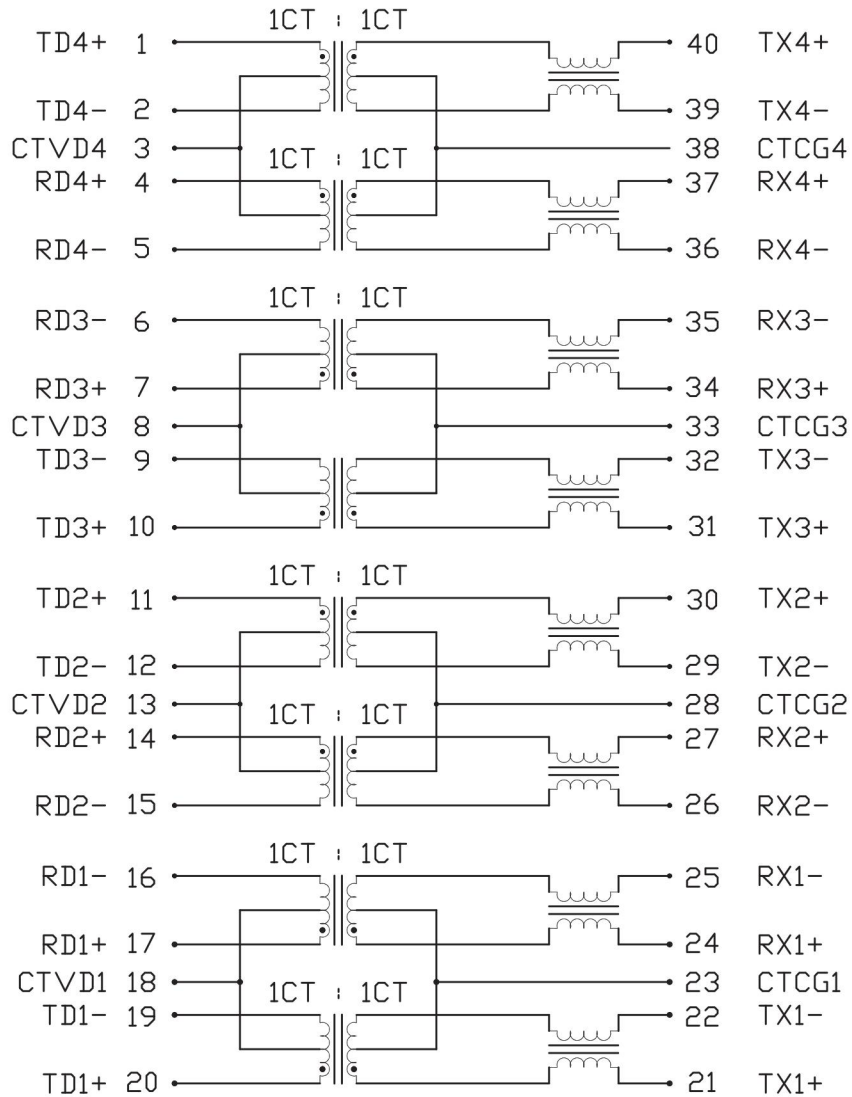


THE INFORMATION CONTAINED HEREIN IS CONSIDERED 'PROPRIETARY' TO BEL FUSE INC. AND SHALL NOT BE COPIED, REPRODUCED OR DISCLOSED WITHOUT THE WRITTEN APPROVAL OF BEL FUSE INC.

ELECTRICAL CHARACTERISTICS @ 25°C



SCHEMATIC



URNS RATIO

Tx SIDE: 1CT : 1CT  
Rx SIDE: 1CT : 1CT

POLARITY :

Rx 4°&37°, 7°&34°, 14°&27°, 17°&24°  
Tx 1°&40°, 10°&31°, 11°&30°, 20°&21°  
IN PHASE

QCL

350μH MIN. @ 100kHz, 100mV  
WITH 8mA D.C. BIAS.

INSERTION LOSS

@ 100kHz - 80MHz 1.0 dB MAX

RETURN LOSS

MEASURED UNDER A  
100 Ω ENVIRONMENT

@ 0.1MHz - 30MHz 18 dB MIN.  
@ 30MHz - 60MHz 18-20 LOG(f/30MHz)  
@ 60MHz - 80MHz 12 dB MIN.

COMMON TO DIFFERENTIAL  
MODE REJECTION

@ 0.1MHz TO 100MHz 40 dB MIN.

COMMON TO COMMON  
MODE REJECTION

@ 0.1MHz TO 100MHz 35 dB MIN.  
@ 100MHz TO 500MHz 20 dB MIN.

CROSSTALK

@ 0.1MHz TO 100MHz 32 dB MIN.

HIPOT

PER HAND-WORK-03

NOTES :

THIS PRODUCT HAS BEEN SUPPLYING TO  
JAPAN CUSTOMERS. PCN PROCESS NEEDS  
TO COMPLY WITH 4M CRITERIA.

REV. : D PAGE : 2

ORIGINATED BY	DATE	TITLE
Alice Pang	2015-07-16	ELECTRICAL SPECIFICATION S558-5999-Q9-F
DRAWN BY	DATE	
ZC Guo	2015-07-16	

PART NO. / DRAWING NO.	X5585999Q9-F
FILE NAME	X5585999Q9FD.DWG

STANDARD DIM.	[ ] METRIC DIM. AS REF.
TOL. IN INCH	UNIT : INCH [mm]
.X	SCALE : N/A
.XX	SIZE : A4
.XXX	



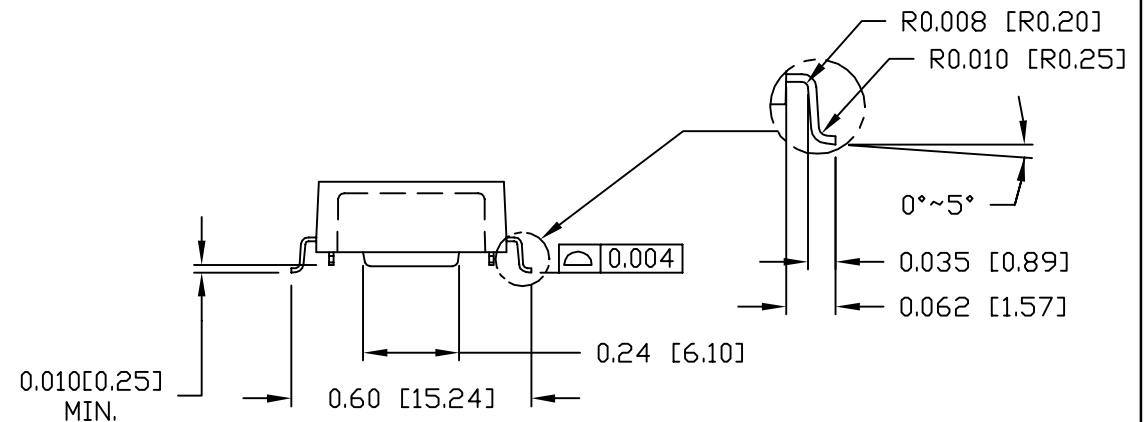
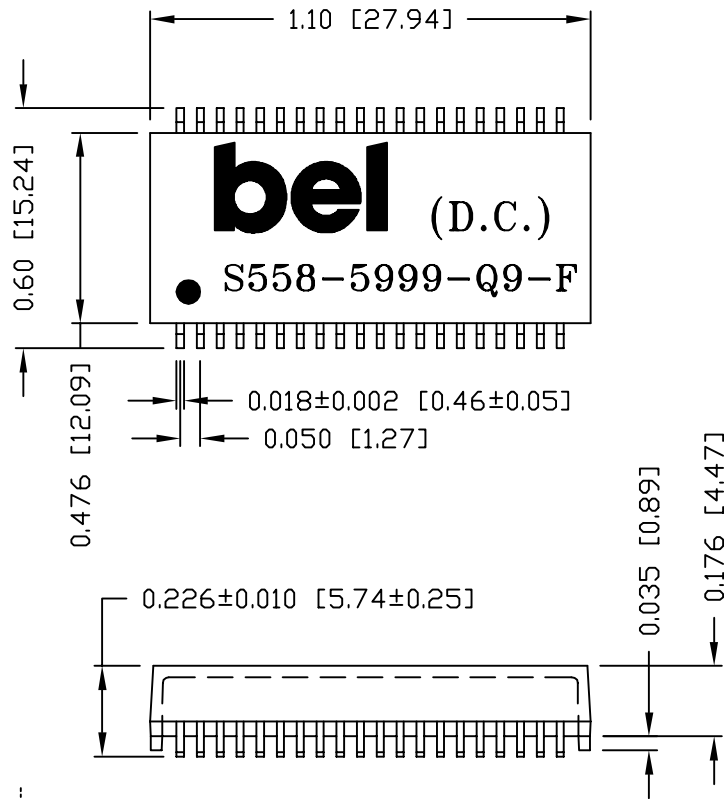
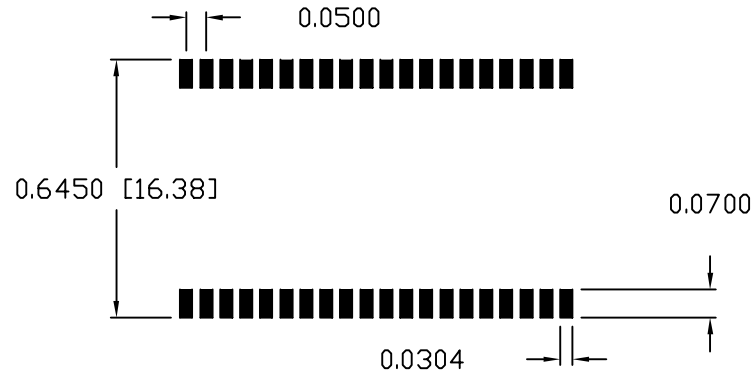


THE INFORMATION CONTAINED HEREIN IS CONSIDERED "PROPRIETARY" TO BEL FUSE INC. AND SHALL NOT BE COPIED, REPRODUCED OR DISCLOSED WITHOUT THE WRITTEN APPROVAL OF BEL FUSE INC.

RoHS



SUGGESTED PCB PAD LAYOUT



NOTES :

1. STANDARD MARKING REFER TO DOC. HAND-WORK-04.
2. PACKAGE CODE: "RRS001".
3. THIS PRODUCT HAS BEEN SUPPLYING TO JAPAN CUSTOMERS. PCN PROCESS NEEDS TO COMPLY WITH 4M CRITERIA.

ORIGINATED BY	DATE
Lawrence Tsang	2017-02-15
DRAWN BY	DATE
ZC Guo	2017-02-15

TITLE
MECHANICAL DRAWING
S558-5999-Q9-F

PART NO. / DRAWING NO.
X5585999Q9-F
FILE NAME
X5585999Q9FH.DWG

STANDARD DIM.	[ ] METRIC DIM. AS REF.
TOL. IN INCH	UNIT : INCH [mm]
.X	SCALE : N/A
.XX ±0.01	SIZE : A4
.XXX ±0.005	

REV. : H PAGE : 3

