



Chipsmall Limited consists of a professional team with an average of over 10 year of expertise in the distribution of electronic components. Based in Hongkong, we have already established firm and mutual-benefit business relationships with customers from,Europe,America and south Asia,supplying obsolete and hard-to-find components to meet their specific needs.

With the principle of “Quality Parts,Customers Priority,Honest Operation,and Considerate Service”,our business mainly focus on the distribution of electronic components. Line cards we deal with include Microchip,ALPS,ROHM,Xilinx,Pulse,ON,Everlight and Freescale. Main products comprise IC,Modules,Potentiometer,IC Socket,Relay,Connector.Our parts cover such applications as commercial,industrial, and automotives areas.

We are looking forward to setting up business relationship with you and hope to provide you with the best service and solution. Let us make a better world for our industry!



## Contact us

Tel: +86-755-8981 8866 Fax: +86-755-8427 6832

Email & Skype: info@chipsmall.com Web: www.chipsmall.com

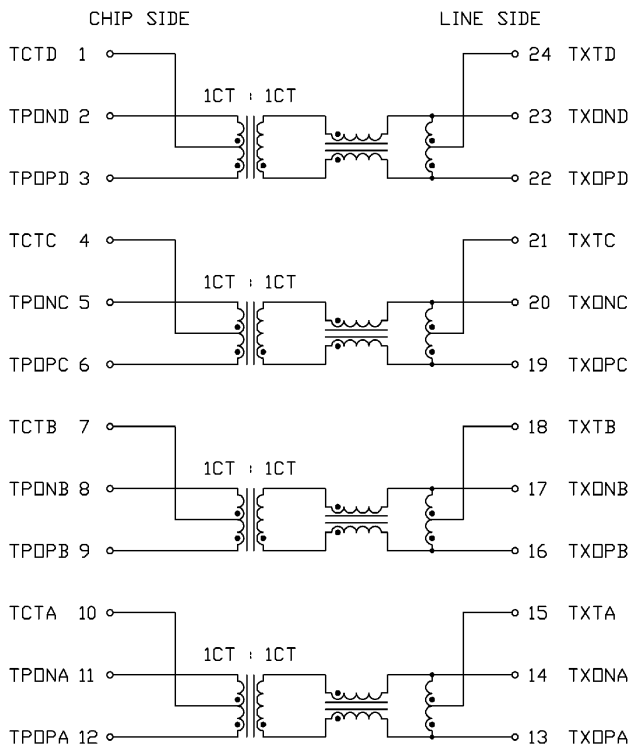
Address: A1208, Overseas Decoration Building, #122 Zhenhua RD., Futian, Shenzhen, China



THE INFORMATION CONTAINED HEREIN IS CONSIDERED  
 "PROPRIETARY" TO BEL FUSE INC. AND SHALL NOT BE  
 COPIED, REPRODUCED OR DISCLOSED WITHOUT THE  
 WRITTEN APPROVAL OF BEL FUSE INC.



SCHEMATIC



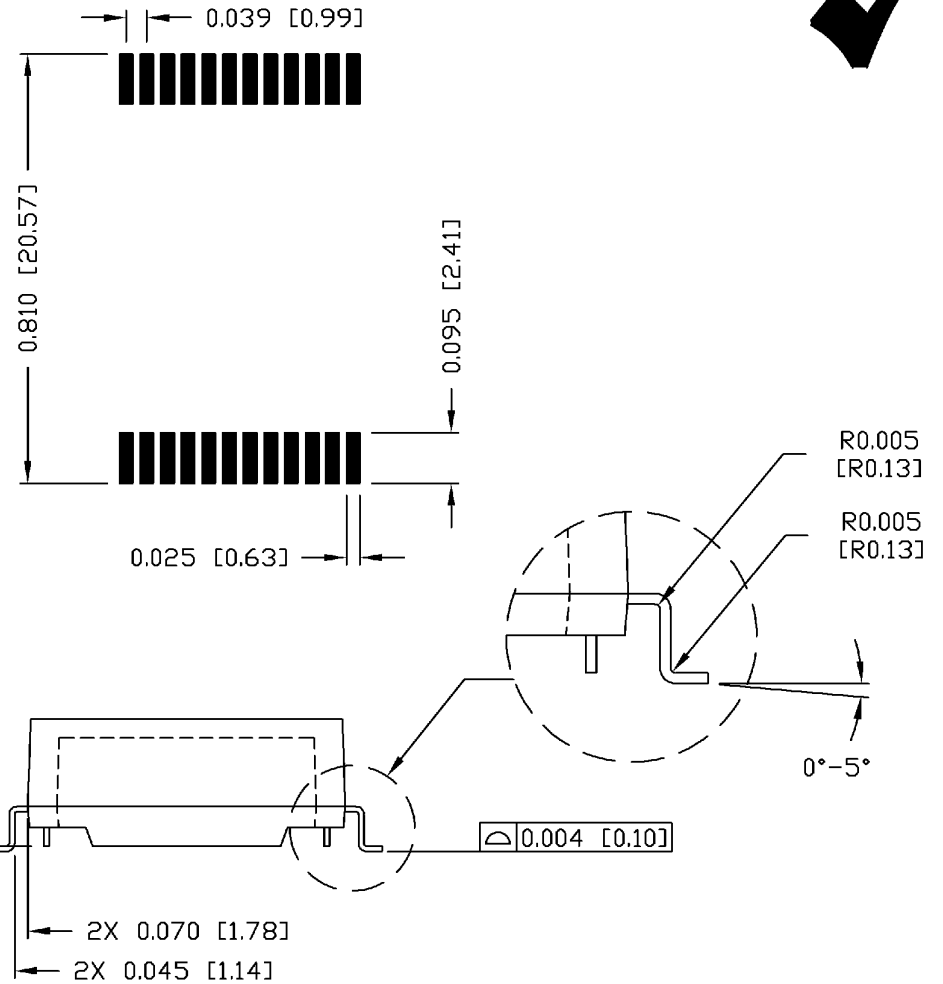
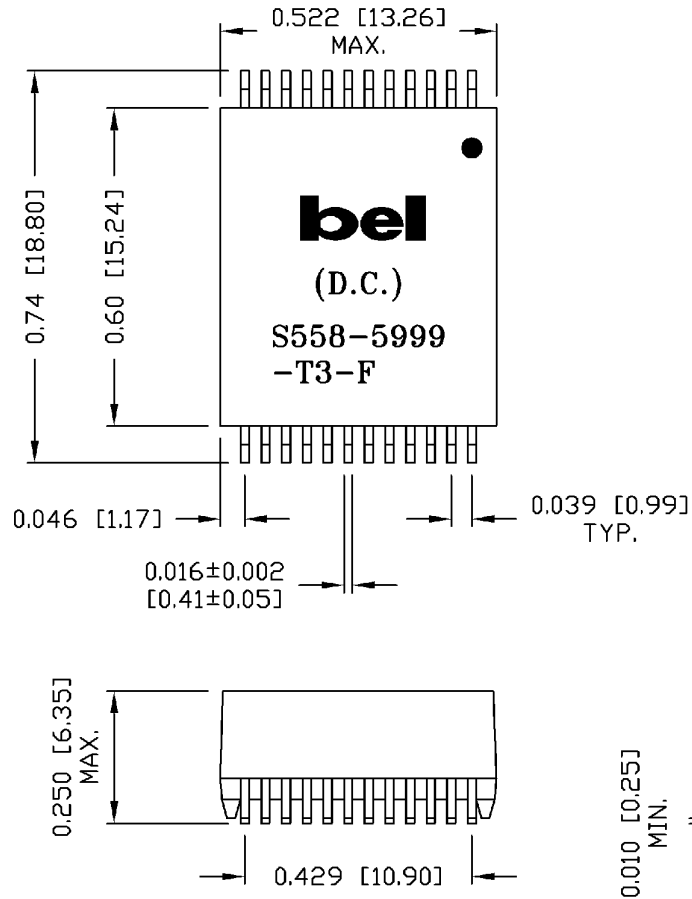
ELECTRICAL CHARACTERISTICS @25°C

<b>URNS RATIO</b> (3-1-2) : (22-24-23) (6-4-5) : (19-21-20) (9-7-8) : (16-18-17) (12-10-11) : (13-15-14)	1CT : 1CT 1CT : 1CT 1CT : 1CT 1CT : 1CT
<b>PHASE</b>  <b>OCL</b> PIN (23-22), (20-19) PIN (17-16), (14-13)	PER DOT CONVENTION  350μH MIN. @100kHz, 100mV WITH 8mA DC BIAS
<b>INSERTION LOSS</b>	1.1dB MAX. @0.1 TO 1MHz 1.0dB MAX. @1 TO 80MHz 2.0dB MAX. @125MHz
<b>RETURN LOSS</b> UNDER 100 OHM ±15% ENVIRONMENT	18dB MIN. @0.5 TO 40MHz 12-20LOG (F/80MHz) MIN. @40 TO 100 MHz
<b>COMMON TO COMMON REJECTION</b>	30dB MIN. @1 TO 100 MHz
<b>CROSSTALK</b>	33-20LOG (F/100MHz) dB MIN. @ 1 TO 100 MHz
<b>HIPDT</b>	PER HAND-WORK-03

<b>ORIGINATED BY</b>	<b>DATE</b>	<b>TITLE</b>	<b>PART NO. / DRAWING NO.</b>	<b>STANDARD DIM.</b>	<b>[ ] METRIC DIM. AS REFERENCE</b>	 <small>COMPONENTS CONNECTED PLANET</small>
CHAN CH	08-15-07	ELECTRICAL SPECIFICATION	X5585999T3-F	TOL. IN INCH	UNIT : INCH [mm] REV. : A	
<b>DRAWN BY</b>	<b>DATE</b>		<b>FILE NAME</b>	.X	SCALE : N/A SIZE : A4	
DQ Chen	08-15-07	S558-5999-T3-F	X5585999T3FA.DWG	.XX .XXX	PAGE : 2	

THE INFORMATION CONTAINED HEREIN IS CONSIDERED "PROPRIETARY" TO BEL FUSE INC. AND SHALL NOT BE COPIED, REPRODUCED OR DISCLOSED WITHOUT THE WRITTEN APPROVAL OF BEL FUSE INC.

SUGGESTED PCB PAD LAYOUT



NOTES:

- STANDARD MARKING REFER TO DDC. HAND-WORK-04.
- PACKAGE CODE: "QTS001".

ORIGINATED BY	DATE	TITLE	PART NO. / DRAWING NO.	STANDARD DIM. TOL. IN INCH	[ ] METRIC DIM. AS REFERENCE	 COMPONENTS OF A CONNECTED PLANET	
Lawrence	08-15-07	MECHANICAL DRAWING S558-5999-T3-F	X5585999T3-F	.X	UNIT : INCH [mm]		REV. : A
DRAWN BY	DATE		FILE NAME	.XX	SCALE : N/A		SIZE : A4
DQ Chen	08-15-07	X5585999T3FA.DWG	.XXX	±0.01	PAGE : 3		
				±0.005			