



Chipsmall Limited consists of a professional team with an average of over 10 year of expertise in the distribution of electronic components. Based in Hongkong, we have already established firm and mutual-benefit business relationships with customers from,Europe,America and south Asia,supplying obsolete and hard-to-find components to meet their specific needs.

With the principle of “Quality Parts,Customers Priority,Honest Operation,and Considerate Service”,our business mainly focus on the distribution of electronic components. Line cards we deal with include Microchip,ALPS,ROHM,Xilinx,Pulse,ON,Everlight and Freescale. Main products comprise IC,Modules,Potentiometer,IC Socket,Relay,Connector.Our parts cover such applications as commercial,industrial, and automotives areas.

We are looking forward to setting up business relationship with you and hope to provide you with the best service and solution. Let us make a better world for our industry!



Contact us

Tel: +86-755-8981 8866 Fax: +86-755-8427 6832

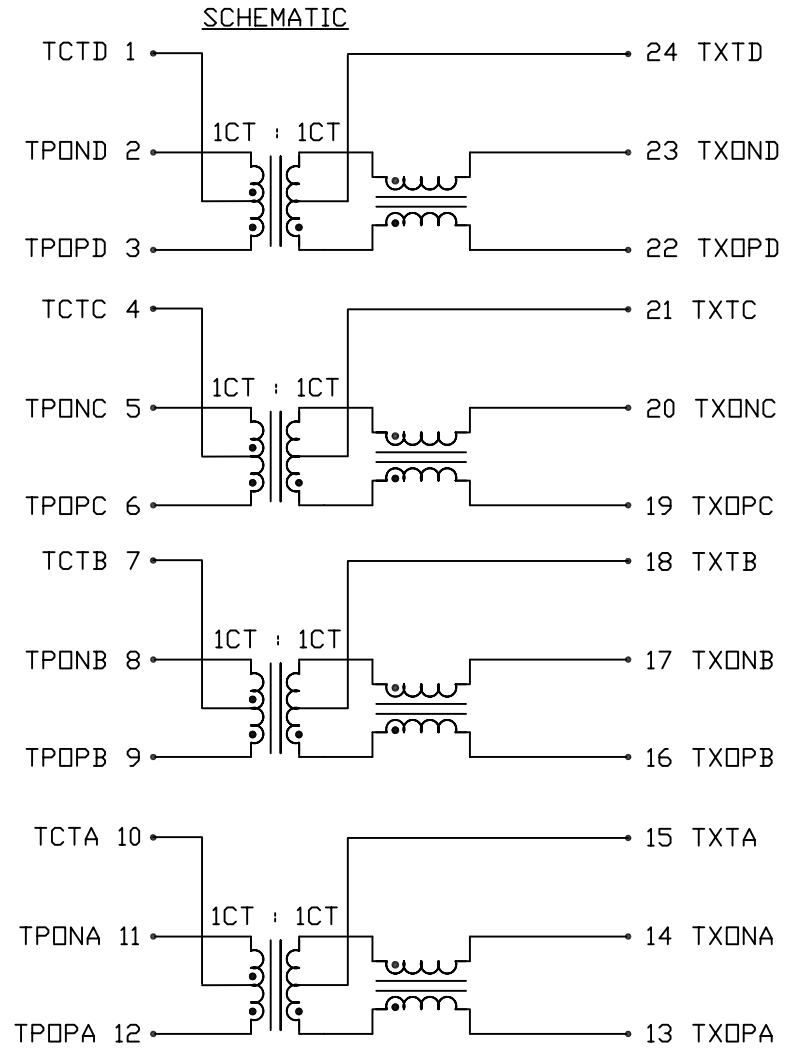
Email & Skype: info@chipsmall.com Web: www.chipsmall.com

Address: A1208, Overseas Decoration Building, #122 Zhenhua RD., Futian, Shenzhen, China



THE INFORMATION CONTAINED HEREIN IS CONSIDERED "PROPRIETARY" TO BEL FUSE INC. AND SHALL NOT BE COPIED, REPRODUCED OR DISCLOSED WITHOUT THE WRITTEN APPROVAL OF BEL FUSE INC.

ELECTRICAL CHARACTERISTICS @ 25°C



URNS RATIO
 (3-1-2) : (22-24-23) 1CT : 1CT
 (6-4-5) : (19-21-20) 1CT : 1CT
 (9-7-8) : (16-18-17) 1CT : 1CT
 (12-10-11) : (13-15-14) 1CT : 1CT

DL 350μH MIN. AT 100kHz,
 WITH 8mA DC BIAS @25

INSERTION LOSS
 1.1dB MAX. @ 0.1 TO 1MHz
 0.5dB MAX. @ 1 TO 65MHz
 1.0dB MAX. @ 80MHz
 1.2dB MAX. @ 125MHz

RETURN LOSS
 UNDER 100 OHM
 ±15% ENVIRONMENT
 18dB MIN. @ 0.5 TO 40
 12-20LOG (F/80MHz) MIN
 @ 40 TO 100 MHz

COMMON TO COMMON REJECTION 30dB MIN. @ 0.1 TO 100

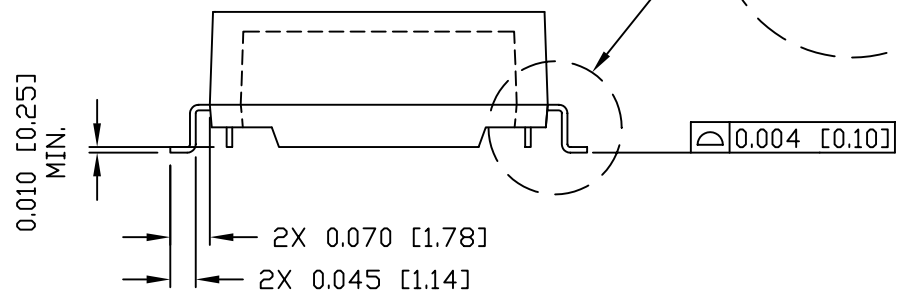
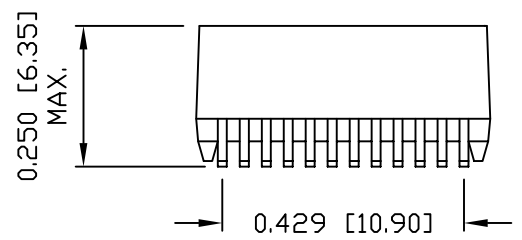
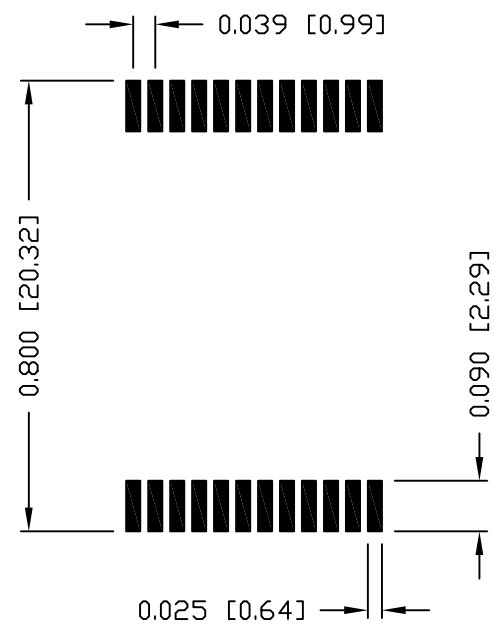
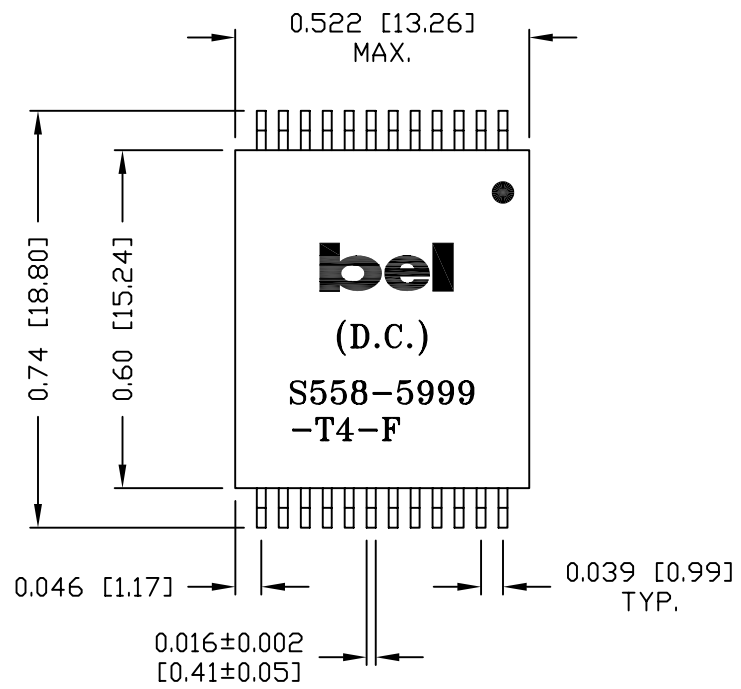
CROSSTALK
 33-20 LOG (F/100 MHz)
 @ 1 TO 100 MHz

HIPOT PER HAND-WORK-03

ORIGINATED BY	DATE	TITLE	PART NO. / DRAWING NO.	STANDARD DIM.	[] METRIC DIM. AS REFERENCE
HD	09-20-05	GIGABIT ETHERNET MAGNETICS S558-5999-T4-F	X5585999T4-F	TOL. IN INCH	UNIT : INCH [mm]
DRAWN BY	DATE		FILE NAME	.X	REV. : A
DQ Chen	09-20-05		X5585999T4FA.DWG	.XX	SCALE : N/A
				.XXX	SIZE : A4
					PAGE : 2

THE INFORMATION CONTAINED HEREIN IS CONSIDERED "PROPRIETARY" TO BEL FUSE INC. AND SHALL NOT BE COPIED, REPRODUCED OR DISCLOSED WITHOUT THE WRITTEN APPROVAL OF BEL FUSE INC.

SUGGESTED PCB PAD LAYOUT



NOTES:

- STANDARD MARKING REFER TO DOC. HAND-WORK-04.
- PACKAGE CODE: "QTS001".

ORIGINATED BY	DATE	TITLE	PART NO. / DRAWING NO.	STANDARD DIM. TOL. IN INCH	[] METRIC DIM. AS REFERE.
HD	09-20-05	MECHANICAL DRAWING S558-5999-T4-F	X5585999T4-F	.X	UNIT : INCH [mm] REV. :
DRAWN BY	DATE		FILE NAME	.XX ±0.01	SCALE : N/A SIZE :
DQ Chen	09-20-05		X5585999T4FA.DWG	.XXX ±0.005	⊕ PAGE :