



Chipsmall Limited consists of a professional team with an average of over 10 year of expertise in the distribution of electronic components. Based in Hongkong, we have already established firm and mutual-benefit business relationships with customers from,Europe,America and south Asia,supplying obsolete and hard-to-find components to meet their specific needs.

With the principle of “Quality Parts,Customers Priority,Honest Operation,and Considerate Service”,our business mainly focus on the distribution of electronic components. Line cards we deal with include Microchip,ALPS,ROHM,Xilinx,Pulse,ON,Everlight and Freescale. Main products comprise IC,Modules,Potentiometer,IC Socket,Relay,Connector.Our parts cover such applications as commercial,industrial, and automotives areas.

We are looking forward to setting up business relationship with you and hope to provide you with the best service and solution. Let us make a better world for our industry!



## Contact us

Tel: +86-755-8981 8866 Fax: +86-755-8427 6832

Email & Skype: info@chipsmall.com Web: www.chipsmall.com

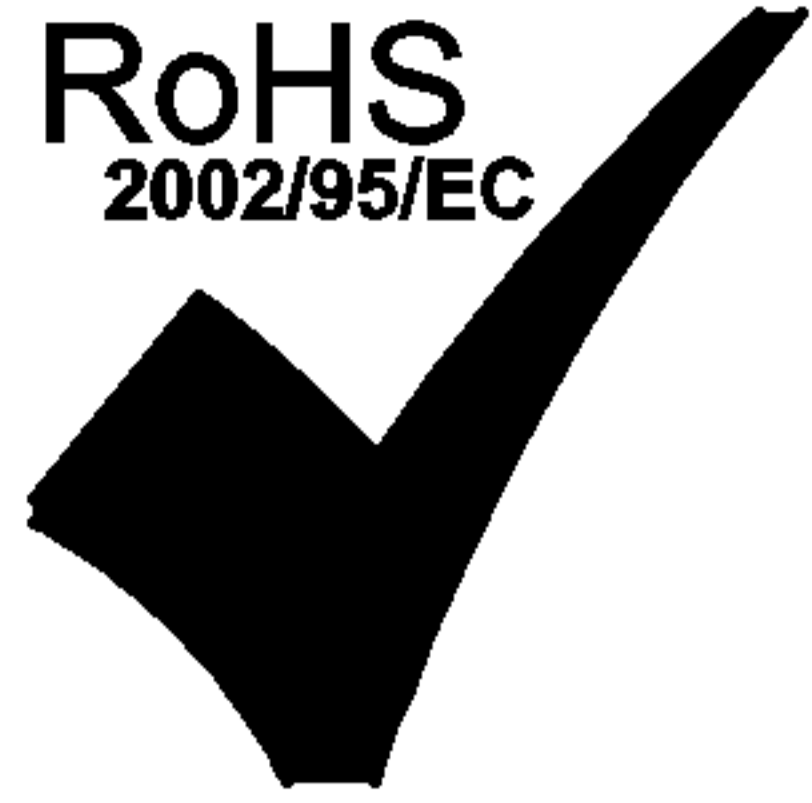
Address: A1208, Overseas Decoration Building, #122 Zhenhua RD., Futian, Shenzhen, China



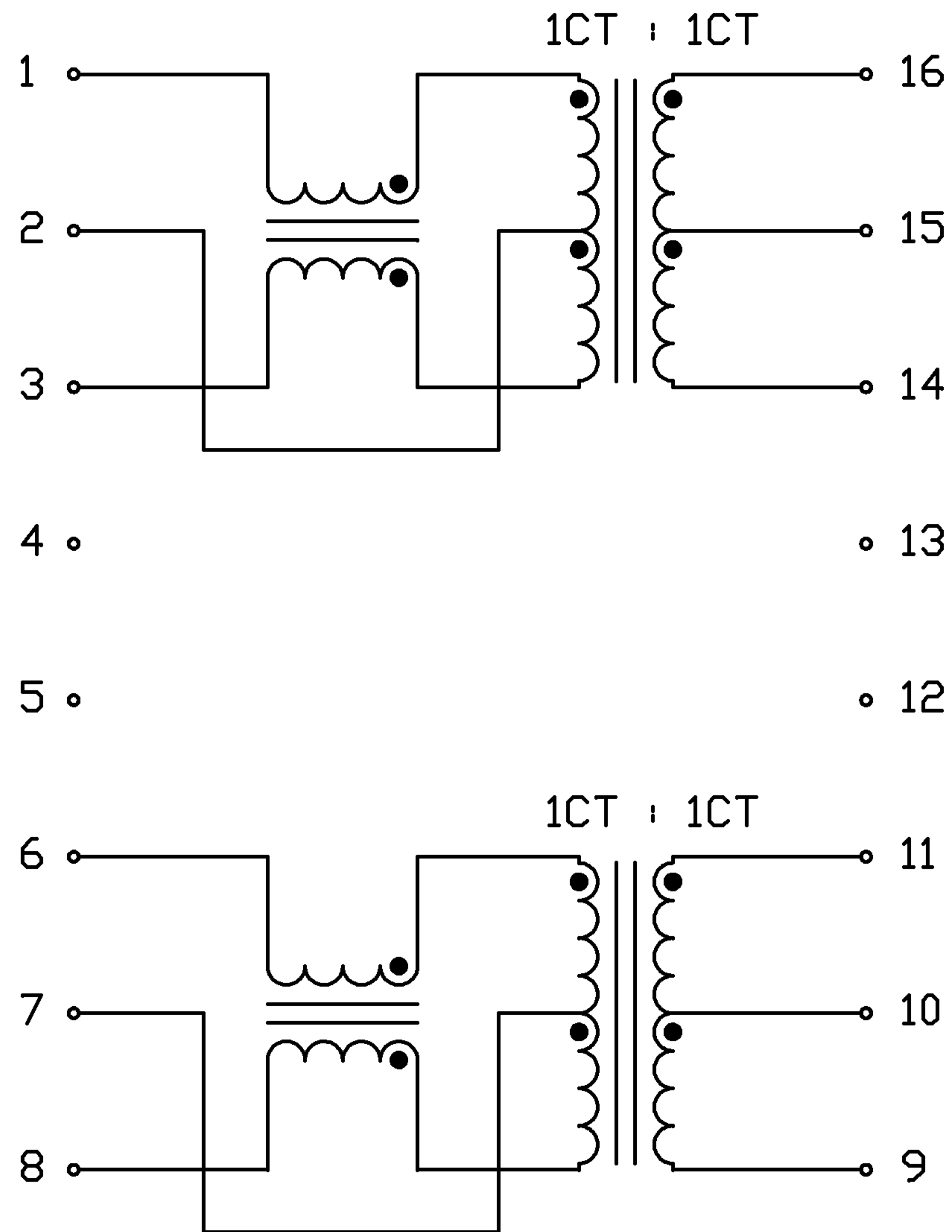


THE INFORMATION CONTAINED HEREIN IS CONSIDERED "PROPRIETARY" TO BEL FUSE INC. AND SHALL NOT BE COPIED, REPRODUCED OR DISCLOSED WITHOUT THE WRITTEN APPROVAL OF BEL FUSE INC.

ELECTRICAL CHARACTERISTICS @25°C



SCHEMATIC



URNS RATIO  
 Tx (1-2-3) : (16-15-14)  
 Rx (6-7-8) : (11-10-9)

1CT : 1CT  
 1CT : 1CT

PHASING

16 TO 1 ; 11 TO 6

OCL (-40°C TO +85°C)  
 TX (16&14)  
 RX (11&9)

350µH MIN.  
 @100kHz, 100mV  
 WITH 8mA DC BIAS

LEAKAGE INDUCTANCE,  $L_e$  (0°C - 70°C)  
 TX (16-14) WITH 1-3 SHORTED  
 RX (11-9) WITH 6-8 SHORTED

0.35µH MAX.  
 @1MHz 20mV

INTERWINDING CAPACITANCE,  $C_w/w$   
 TX (1-3 TO 16-14)  
 RX (6-8 TO 11-9)

30pF MAX.  
 @1MHz 20mV

DCR WINDING RESISTANCE  
 (1-3) = (6-8)  
 (16-14) = (11-9)

2.0ΩHM MAX.  
 1.0ΩHM MAX.

INSERTION LOSS  
 @100kHz TO 100MHz

1.0dB MAX.

RETURN LOSS (UNDER 100ΩHM ±15% ENVIRONMENT)  
 @100kHz TO 30MHz  
 @30 TO 60MHz  
 @60 TO 80MHz

18dB MIN.  
 18-20LOG(F/30MHz) MIN.  
 12dB MIN.

COMMON TO COMMON MODE ATTENUATION  
 @0.1 TO 100MHz

30dB MIN.

CROSSTALK  
 @1MHz  
 @30MHz  
 @60MHz  
 @100MHz

65dB MIN.  
 55dB MIN.  
 45dB MIN.  
 35dB MIN.

COMMON TO DIFFERENTIAL MODE ATTENUATION  
 @0.1 TO 100MHz

40dB MIN.

HIPOT

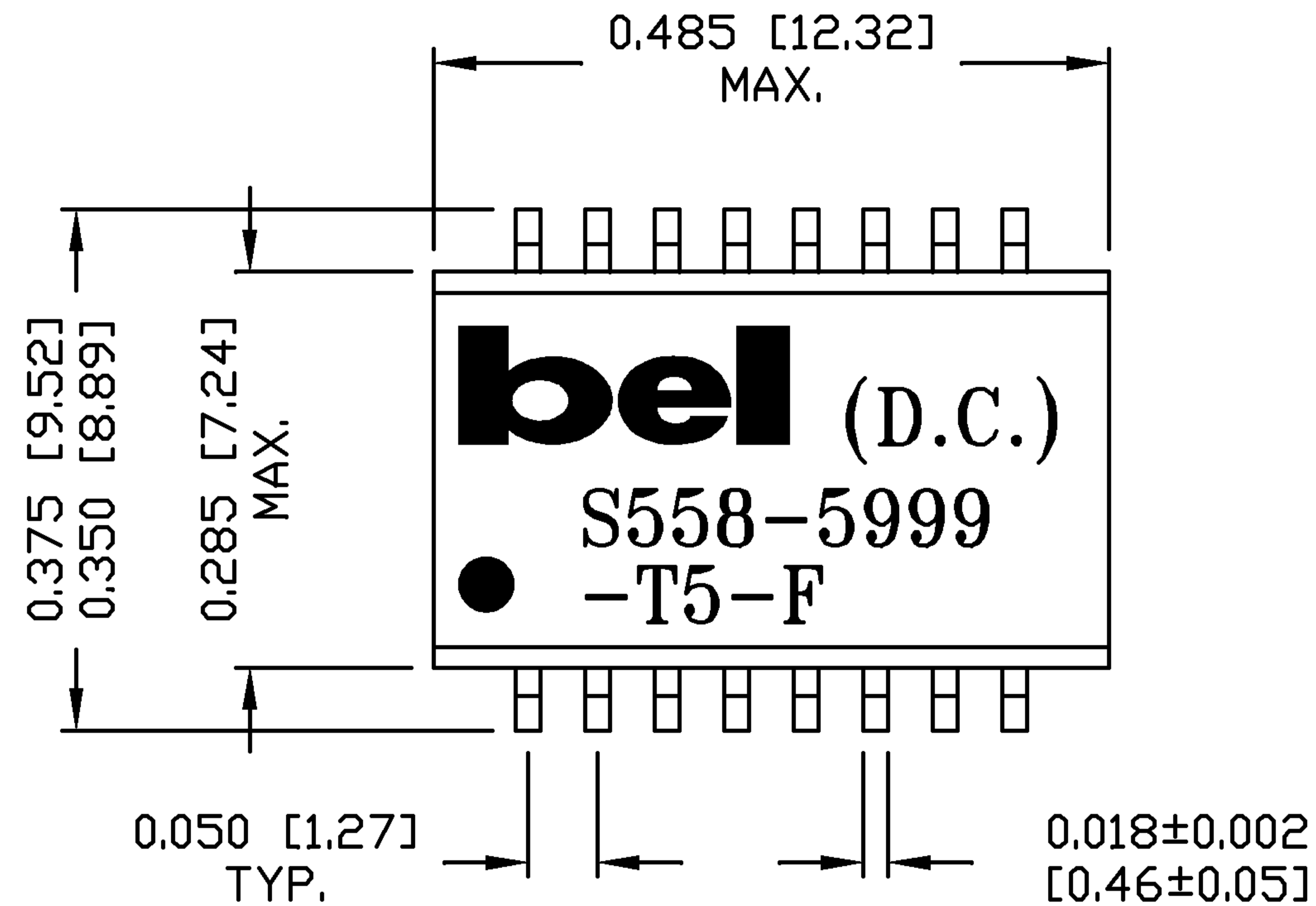
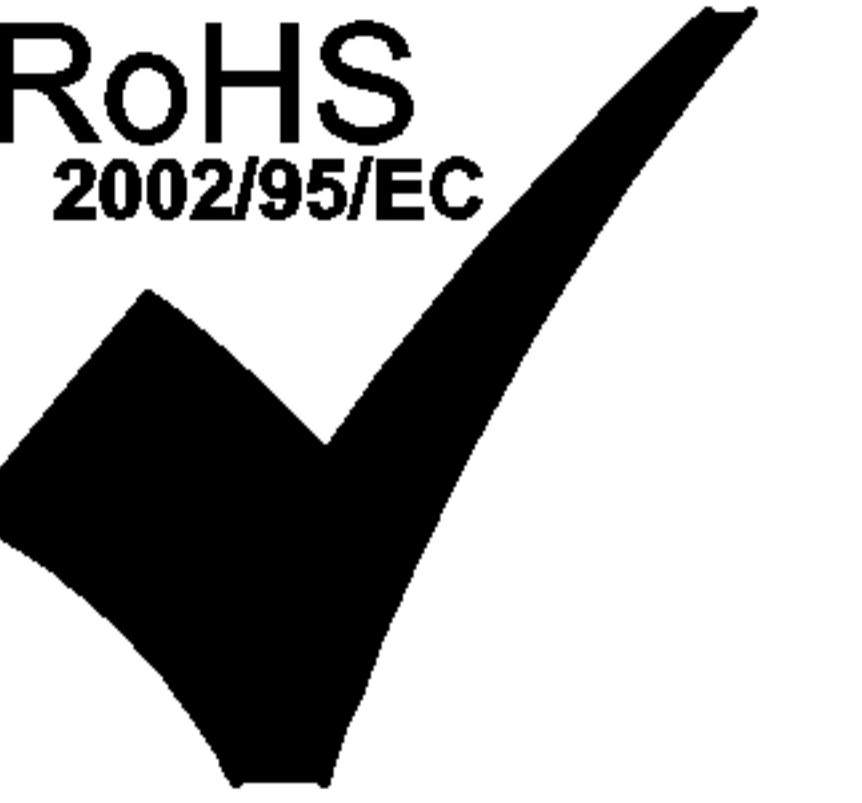
1500Vrms

ORIGINATED BY	DATE	TITLE	PART NO. / DRAWING NO.	STANDARD DIM. TOL. IN INCH	[ ] METRIC DIM. AS REFERENCE
CHAN CH	06-27-08	10/100BT MAGNETICS MODULE	X5585999T5-F	.X	UNIT : INCH [mm] REV. : B
DRAWN BY	DATE	S558-5999-T5-F	FILE NAME	.XX	SCALE : N/A SIZE : A4
YH Lal	06-27-08		X5585999T5FB.DWG	.XXX	PAGE : 2

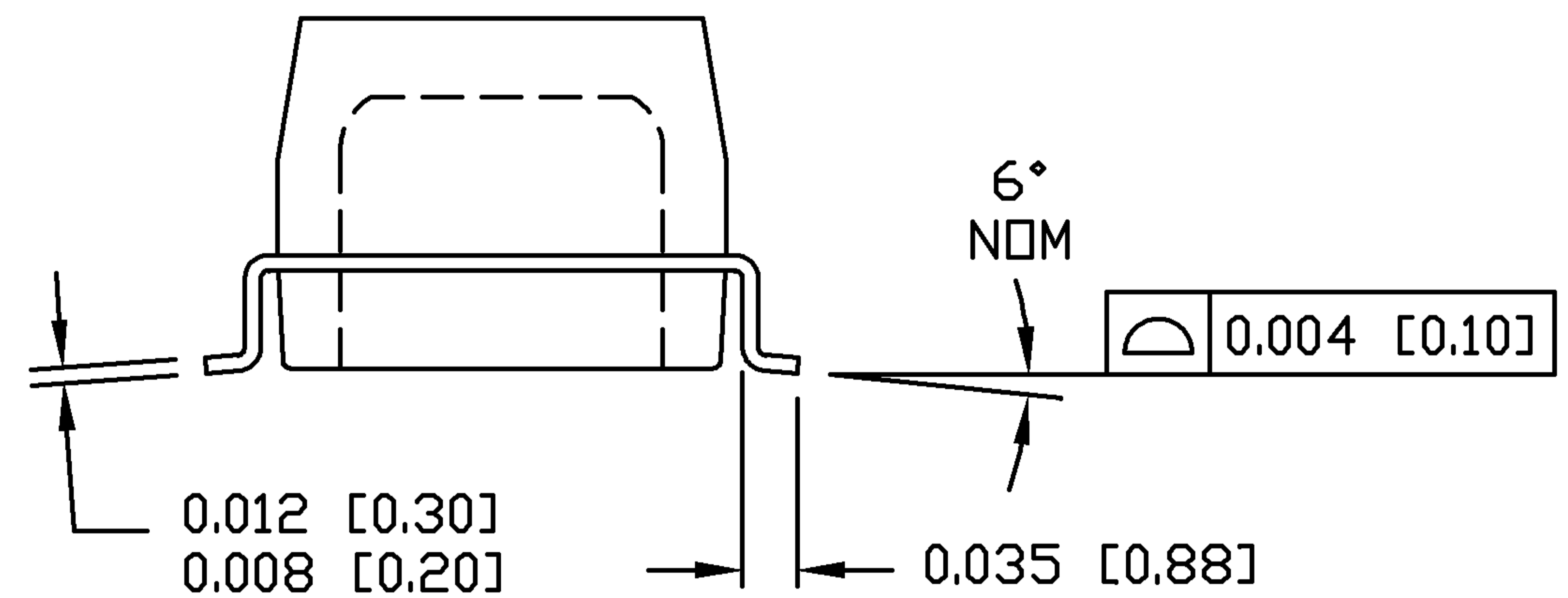
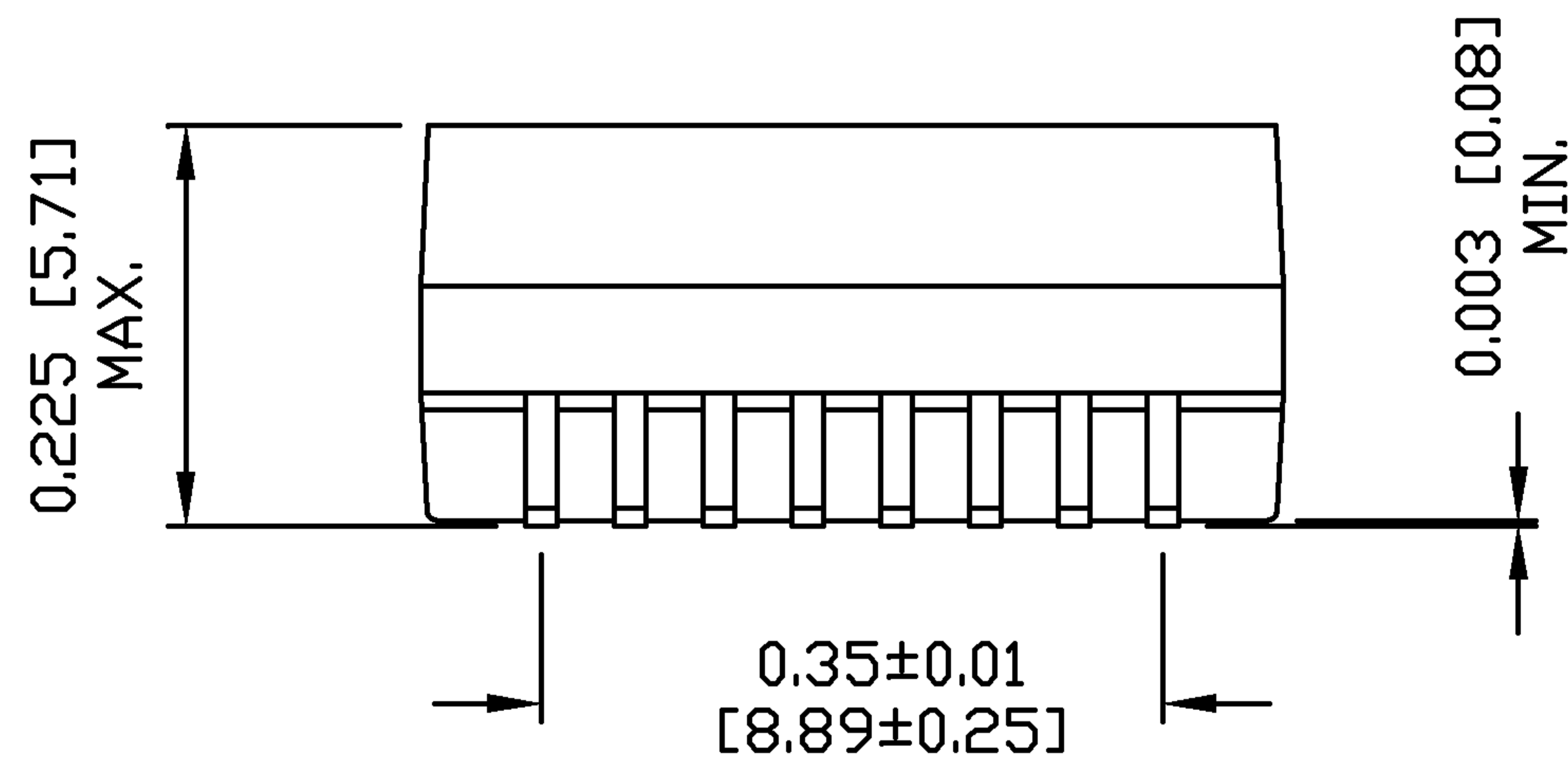
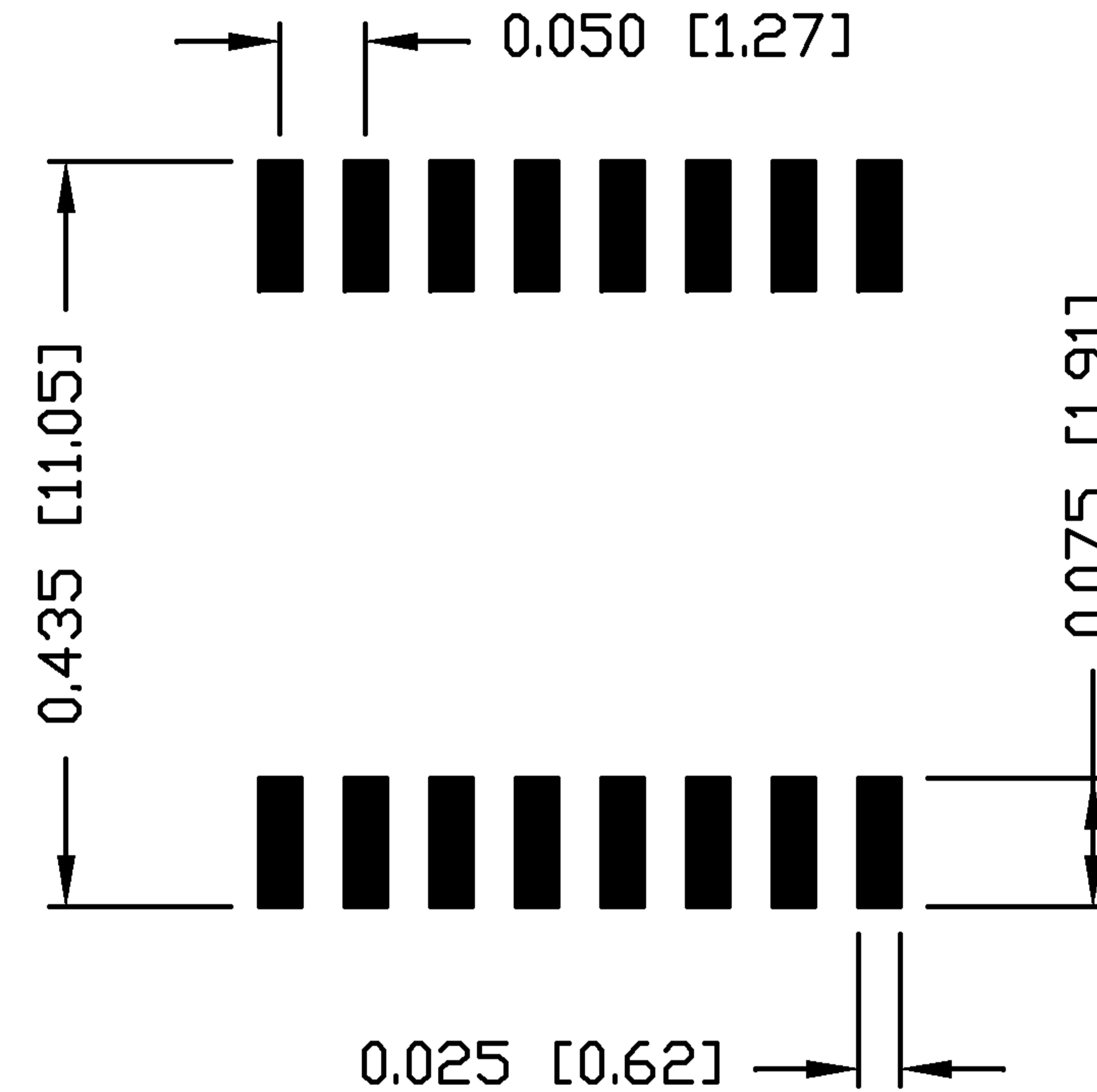


THE INFORMATION CONTAINED HEREIN IS CONSIDERED "PROPRIETARY" TO BEL FUSE INC. AND SHALL NOT BE COPIED, REPRODUCED OR DISCLOSED WITHOUT THE WRITTEN APPROVAL OF BEL FUSE INC.

RoHS  
2002/95/EC



SUGGESTED PCB PAD LAYOUT



NOTES:

- STANDARD MARKING REFER TO DOC. HAND-WORK-04.
- PACKAGE CODE: "QBS001".

ORIGINATED BY	DATE	TITLE	PART NO. / DRAWING NO.	STANDARD DIM. TOL. IN INCH	[ ] METRIC DIM. AS REFERENCE
LAWRENCE TSANG	06-27-08	MECHANICAL DRAWING S558-5999-T5-F	X5585999T5-F	.X	UNIT : INCH [mm]
DRAWN BY	DATE		FILE NAME	.XX ±0.01	SCALE : N/A
YH Lal	06-27-08		X5585999T5FB.DWG	.XXX ±0.005	REV. : B SIZE : A4 PAGE : 3

