



Chipsmall Limited consists of a professional team with an average of over 10 year of expertise in the distribution of electronic components. Based in Hongkong, we have already established firm and mutual-benefit business relationships with customers from,Europe,America and south Asia,supplying obsolete and hard-to-find components to meet their specific needs.

With the principle of "Quality Parts,Customers Priority,Honest Operation,and Considerate Service",our business mainly focus on the distribution of electronic components. Line cards we deal with include Microchip,ALPS,ROHM,Xilinx,Pulse,ON,Everlight and Freescale. Main products comprise IC,Modules,Potentiometer,IC Socket,Relay,Connector.Our parts cover such applications as commercial,industrial, and automotives areas.

We are looking forward to setting up business relationship with you and hope to provide you with the best service and solution. Let us make a better world for our industry!



## Contact us

Tel: +86-755-8981 8866 Fax: +86-755-8427 6832

Email & Skype: info@chipsmall.com Web: www.chipsmall.com

Address: A1208, Overseas Decoration Building, #122 Zhenhua RD., Futian, Shenzhen, China

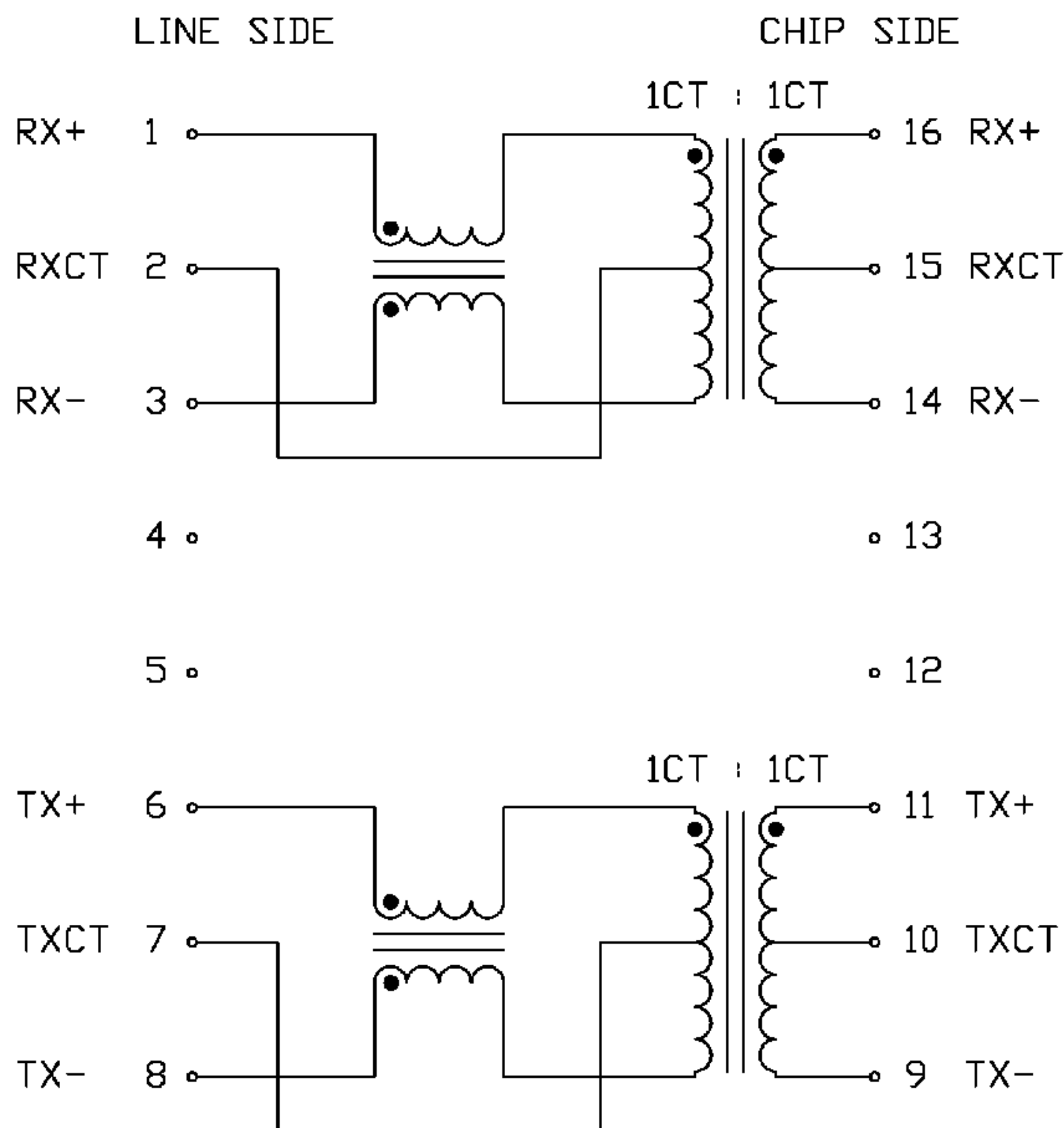


THE INFORMATION CONTAINED HEREIN IS CONSIDERED "PROPRIETARY" TO BEL FUSE INC. AND SHALL NOT BE COPIED, REPRODUCED OR DISCLOSED WITHOUT THE WRITTEN APPROVAL OF BEL FUSE INC.



ELECTRICAL CHARACTERISTICS @25°C

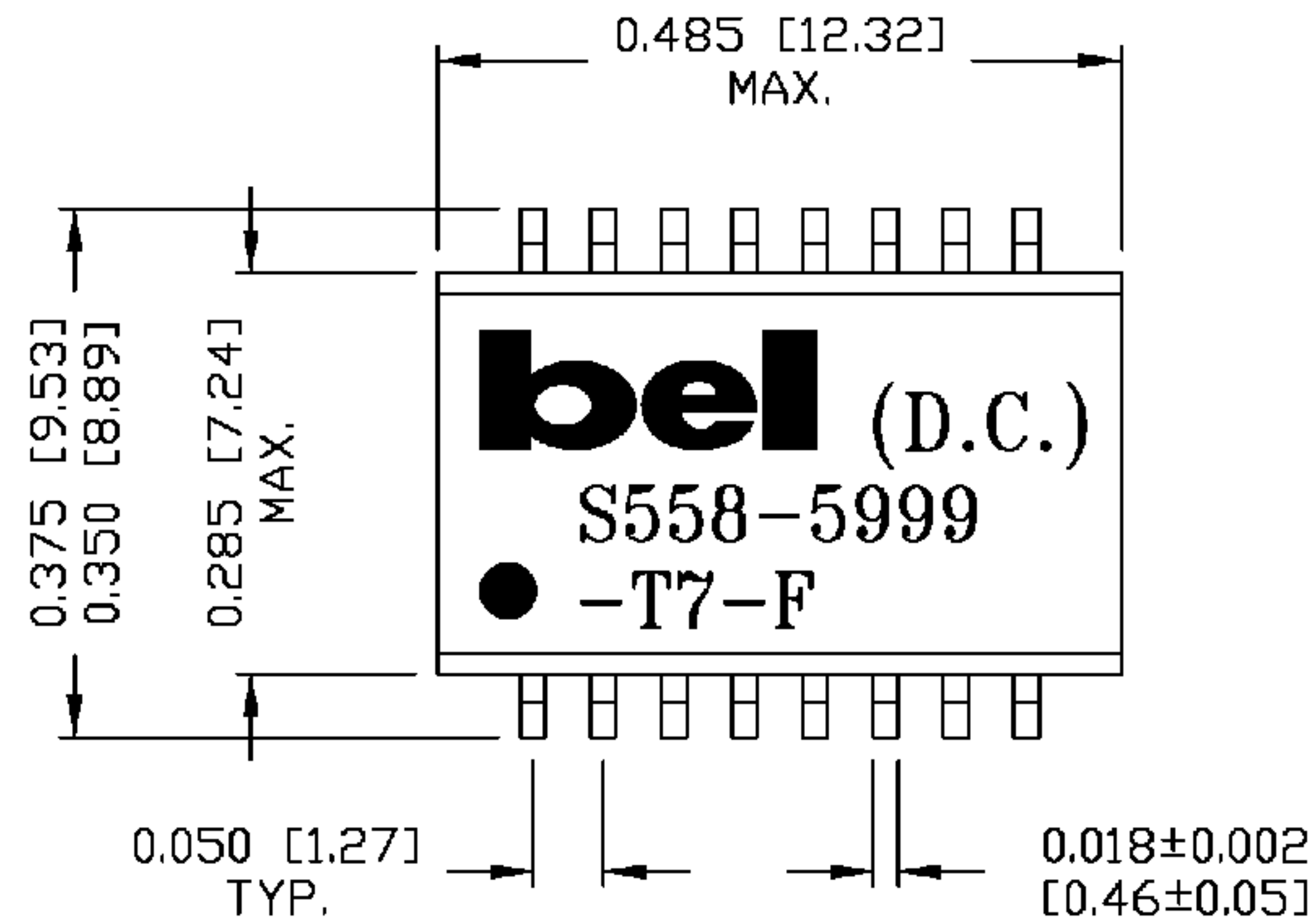
SCHEMATIC



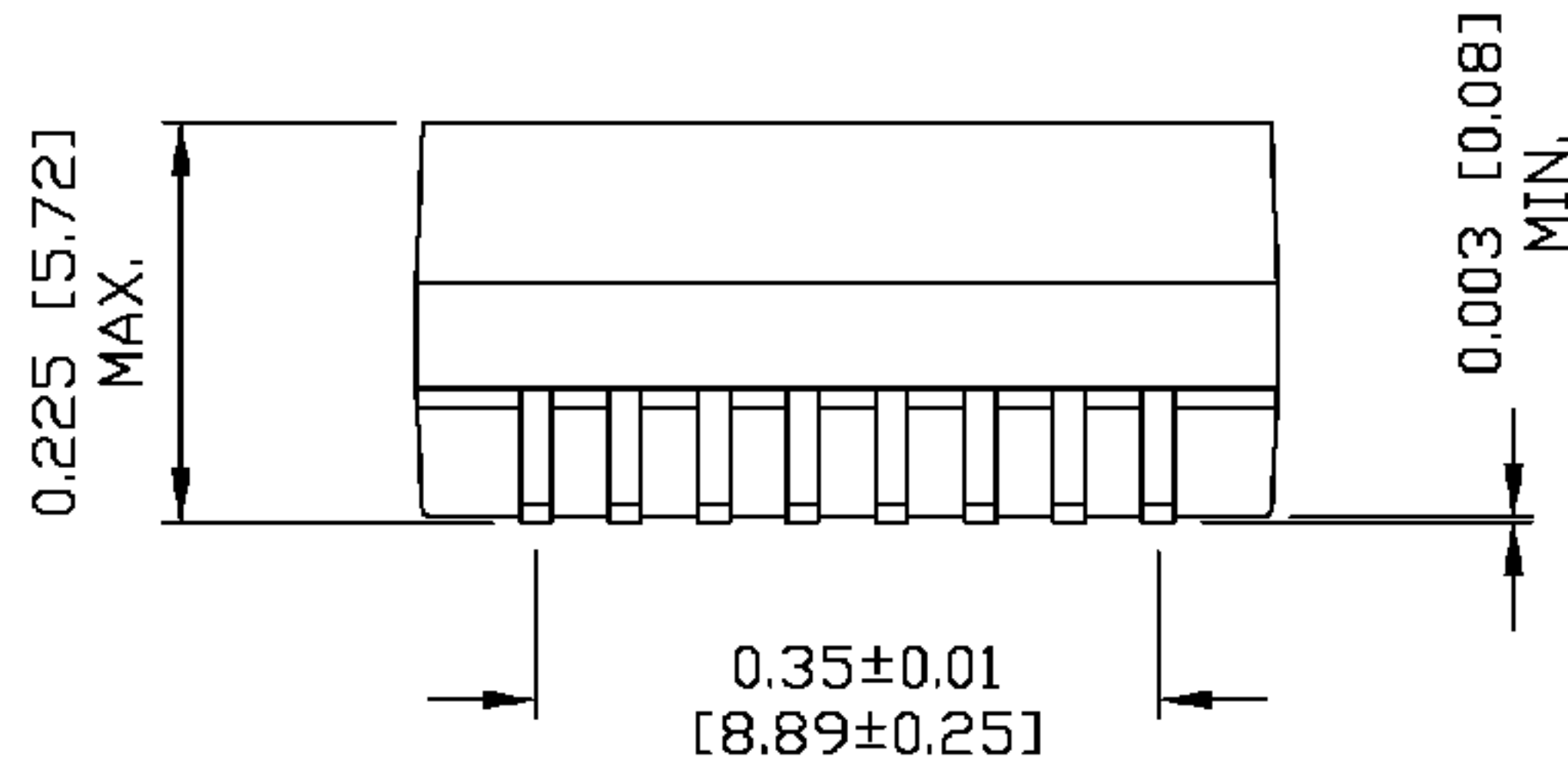
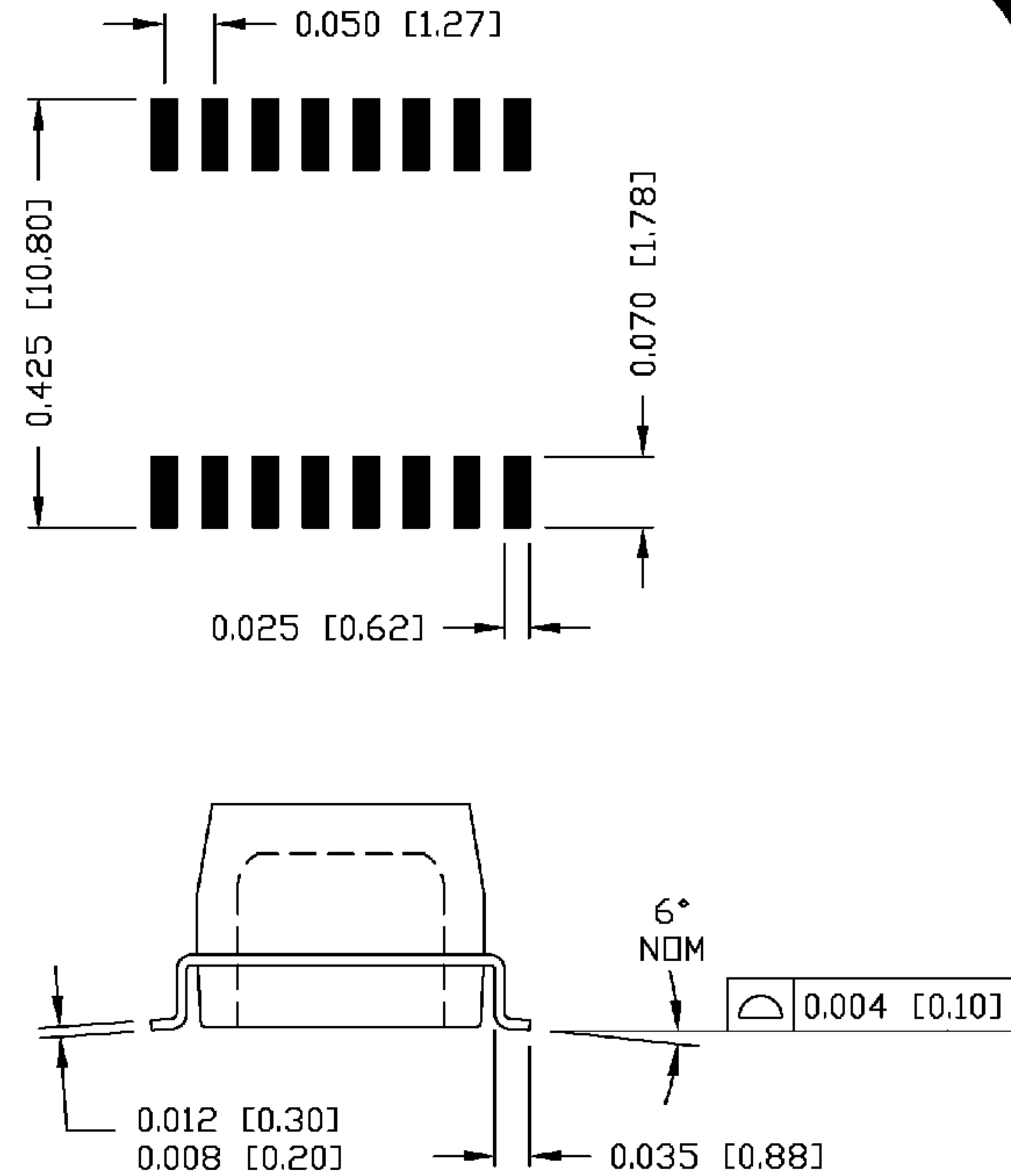
TURNS RATIO PIN 1-2-3 : 16-15-14 PIN 6-7-8 : 11-10-9	1CT : 1CT 1CT : 1CT
OCL @ 100kHz/100mVrms W/8mA DC BIAS PIN 16-14 11-9	350μH MIN.
LEAKAGE INDUCTANCE (Le) @ 1MHz, 20mV PIN 16-14 SHORT 1-3 PIN 11-9 SHORT 6-8	300nH MAX.
INTERWINDING CAPACITANCE (Cw/w) @ 1MHz, 20mV PIN 1-3 TO 16-14 PIN 6-8 TO 11-9	30pF MAX.
INSERTION LOSS 100kHz-100MHz	1.0dB MAX.
RETURN LOSS @ 1MHz-30MHz @ 30-60MHz @ 60-80MHz	18dB MIN. 18-20 LOG (F/30MHz) MIN. 12dB MIN.
CROSSTALK @ 100kHz-100MHz	35dB MIN.
CM TO CM MODE REJ. @ 100kHz-100MHz	30dB MIN.
CM TO DM MODE REJ. @ 100kHz-100MHz	40dB MIN.
HIPOT	PER HAND-WORK-03

ORIGINATED BY	DATE	TITLE	PART NO. / DRAWING NO.	STANDARD DIM.	[ ] METRIC DIM. AS REFERENCE		COMPONENTS FOR A CONNECTED PLANET
HQ	05-25-05	10/100BT MAGNETIC MODULE	X5585999T7-F	TOL. IN INCH	UNIT : INCH [mm]	REV. : A	
DRAWN BY	DATE	S558-5999-T7-F	FILE NAME	.X	SCALE : N/A	SIZE : A4	
DQ Chen	05-25-05		X5585999T7FA.DWG	.XX		PAGE : 2	

THE INFORMATION CONTAINED HEREIN IS CONSIDERED "PROPRIETARY" TO BEL FUSE INC. AND SHALL NOT BE COPIED, REPRODUCED OR DISCLOSED WITHOUT THE WRITTEN APPROVAL OF BEL FUSE INC.



SUGGESTED PCB PAD LAYOUT



NOTES:

1. STANDARD MARKING REFER TO DOC. HAND-WORK-04.
2. PACKAGE CODE: "QBS001".

ORIGINATED BY	DATE	TITLE	PART NO. / DRAWING NO.	STANDARD DIM. TOL. IN INCH	[ ] METRIC DIM. AS REFERENCE	 COMPONENTS FOR A CONNECTED PLANET
HD	05-25-05	MECHANICAL DRAWING	X5585999T7-F	.X	UNIT : INCH [mm]	
DRAWN BY	DATE	S558-5999-T7-F	FILE NAME	.XX ±0.01	SCALE : N/A	
DQ Chen	05-25-05		X5585999T7FA.DWG	.XXX ±0.005	REV. : A SIZE : A4 PAGE : 3	