



Chipsmall Limited consists of a professional team with an average of over 10 year of expertise in the distribution of electronic components. Based in Hongkong, we have already established firm and mutual-benefit business relationships with customers from,Europe,America and south Asia,supplying obsolete and hard-to-find components to meet their specific needs.

With the principle of “Quality Parts,Customers Priority,Honest Operation,and Considerate Service”,our business mainly focus on the distribution of electronic components. Line cards we deal with include Microchip,ALPS,ROHM,Xilinx,Pulse,ON,Everlight and Freescale. Main products comprise IC,Modules,Potentiometer,IC Socket,Relay,Connector.Our parts cover such applications as commercial,industrial, and automotives areas.

We are looking forward to setting up business relationship with you and hope to provide you with the best service and solution. Let us make a better world for our industry!



Contact us

Tel: +86-755-8981 8866 Fax: +86-755-8427 6832

Email & Skype: info@chipsmall.com Web: www.chipsmall.com

Address: A1208, Overseas Decoration Building, #122 Zhenhua RD., Futian, Shenzhen, China

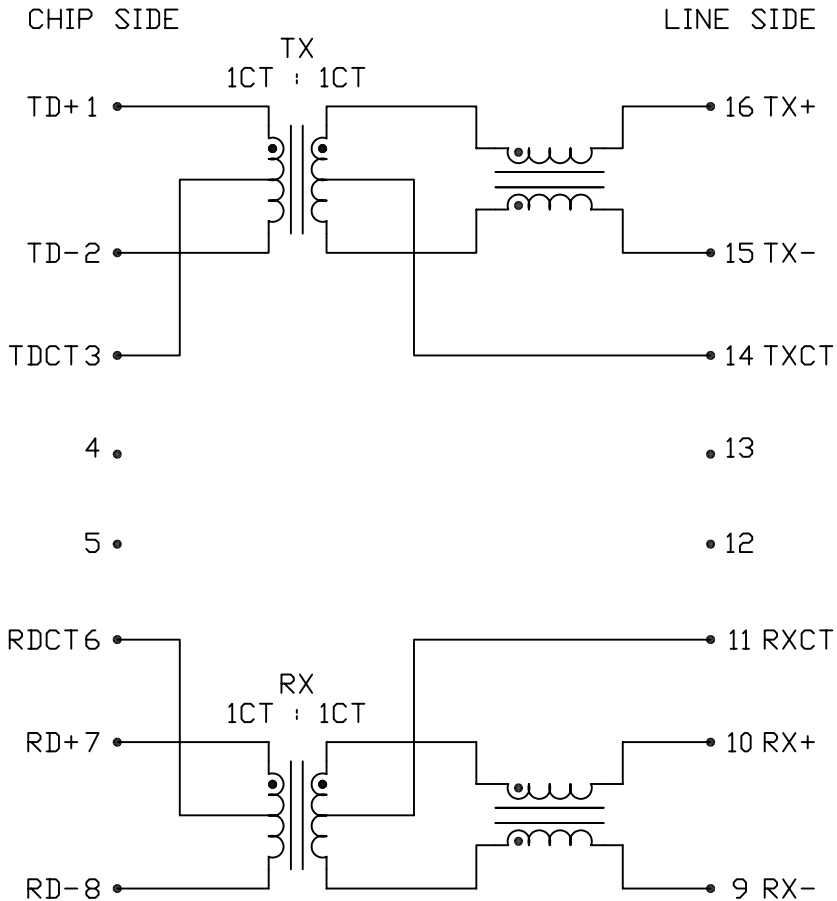


THE INFORMATION CONTAINED HEREIN IS CONSIDERED "PROPRIETARY" TO BEL FUSE INC. AND SHALL NOT BE COPIED, REPRODUCED OR DISCLOSED WITHOUT THE WRITTEN APPROVAL OF BEL FUSE INC.

ELECTRICAL CHARACTERISTICS @ 25°C



SCHEMATIC



TURNS RATIO Tx (1-3-2) : (16-14-15) Rx (7-6-8) : (10-11-9)	1CT : 1CT 1CT : 1CT
POLARITY 1-2 = 7-8	PER DOT CONVENTION
OCL 1-2 = 7-8	350μH MIN @100kHz, 100mV W/8mA DC BIAS
LEAKAGE INDUCTANCE, Le CHIP SIDE WITH LINE SIDE SHORT	0.4μH MAX @1MHz, 20mV
INTERWINDING CAPACITANCE, Cw/w CHIP SIDE TO LINE SIDE	25pF MAX @1MHz, 20mV
DC RESISTANCE (1-2) = (7-8)	1.3Ω MAX
INSERTION LOSS @100kHz TO 80MHz	1.0dB MAX
RETURN LOSS (UNDER 100Ω ±15% ENVIRONMENT) @0.5 TO 30 MHz @30 TO 60 MHz @60 TO 80 MHz	16dB MIN 16-20LOG(f/30MHz) dB MIN 10dB MIN
COMMON TO COMMON MODE ATTENUATION @0.1 TO 80 MHz @80 TO 125 MHz @125 TO 250 MHz	38dB MIN 30dB MIN 10dB MIN
CROSSTALK @0.1 TO 80 MHz @80 TO 125 MHz @125 TO 250 MHz	38dB MIN 30dB MIN 10dB MIN
COMMON TO DIFFERENTIAL MODE ATTENUATION @0.1 TO 80 MHz @80 TO 125 MHz @125 TO 250 MHz	38dB MIN 30dB MIN 10dB MIN
HIPOT	1500Vrms
OPERATING TEMPERATURE -40°C TO +85°C	

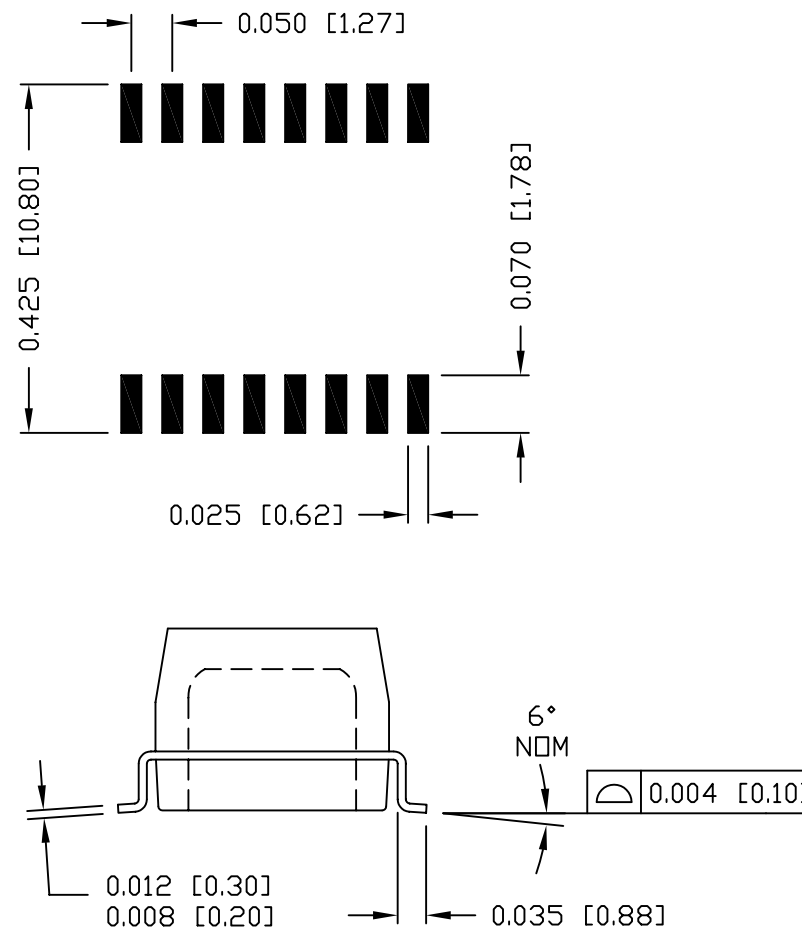
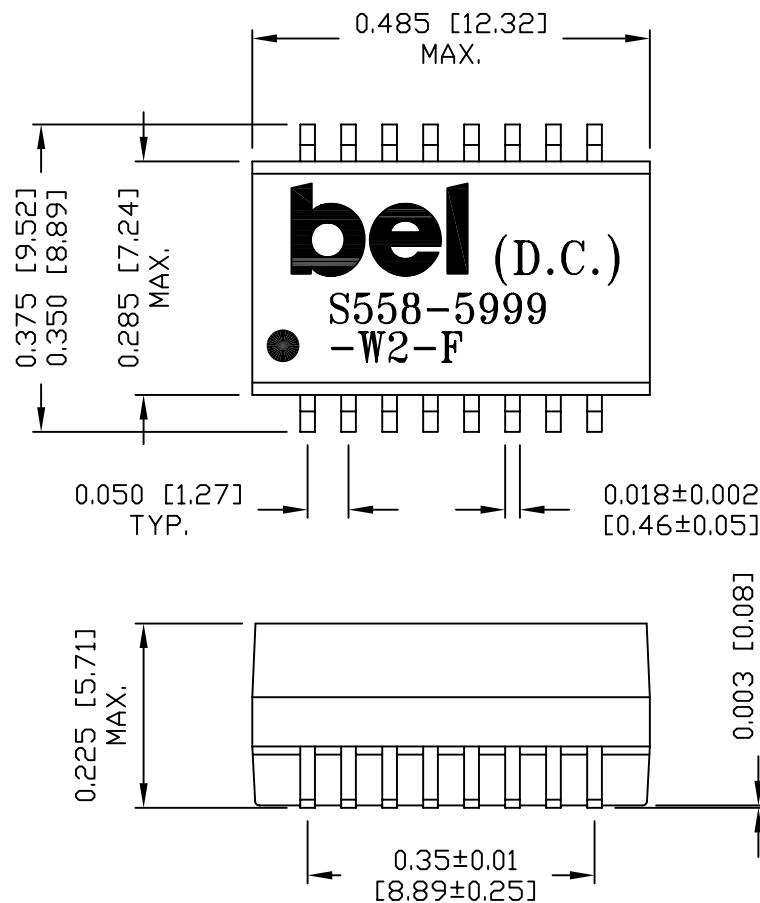
ORIGINATED BY DATE Alice Pang 2015-01-26		TITLE 10/100BASE-T MODULE S558-5999-W2-F	PART NO. / DRAWING NO. X5585999W2-F		STANDARD DIM. [] METRIC DIM. AS REF. TOL. IN INCH		REV. : C PAGE : 2
DRAWN BY DATE ZC Guo 2015-01-26			FILE NAME X5585999W2FC.DWG		UNIT : INCH [mm] SCALE : N/A		POWER PROTECT CONNECT
					SIZE : A4		

THE INFORMATION CONTAINED HEREIN IS CONSIDERED "PROPRIETARY" TO BEL FUSE INC. AND SHALL NOT BE COPIED, REPRODUCED OR DISCLOSED WITHOUT THE WRITTEN APPROVAL OF BEL FUSE INC.

RoHS



SUGGESTED PCB PAD LAYOUT



NOTES:

1. STANDARD MARKING REFER TO DOC. HAND-WORK-04.
2. PACKAGE CODE: "QBS001".

REV. : C PAGE : 3

ORIGINATED BY	DATE	TITLE	PART NO. / DRAWING NO.	STANDARD DIM.	[] METRIC DIM. AS REF.
Lawrence Tsang	2015-01-26	MECHANICAL DRAWING S558-5999-W2-F	X5585999W2-F	TOL. IN INCH	UNIT : INCH [mm]
DRAWN BY	DATE		FILE NAME	.X	SCALE : N/A
ZC Guo	2015-01-26		X5585999W2FC.DWG	.XX ±0.01	SIZE : A4
				.XXX ±0.005	

