



Chipsmall Limited consists of a professional team with an average of over 10 year of expertise in the distribution of electronic components. Based in Hongkong, we have already established firm and mutual-benefit business relationships with customers from,Europe,America and south Asia,supplying obsolete and hard-to-find components to meet their specific needs.

With the principle of “Quality Parts,Customers Priority,Honest Operation,and Considerate Service”,our business mainly focus on the distribution of electronic components. Line cards we deal with include Microchip,ALPS,ROHM,Xilinx,Pulse,ON,Everlight and Freescale. Main products comprise IC,Modules,Potentiometer,IC Socket,Relay,Connector.Our parts cover such applications as commercial,industrial, and automotives areas.

We are looking forward to setting up business relationship with you and hope to provide you with the best service and solution. Let us make a better world for our industry!



## Contact us

Tel: +86-755-8981 8866 Fax: +86-755-8427 6832

Email & Skype: info@chipsmall.com Web: www.chipsmall.com

Address: A1208, Overseas Decoration Building, #122 Zhenhua RD., Futian, Shenzhen, China

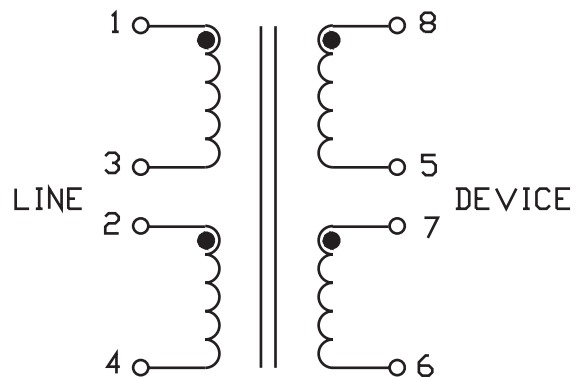


# ADSL MAGNETICS

S560-6600-HW

## ELECTRICAL CHARACTERISTICS (@25°C)

### SCHEMATIC



LONGITUDINAL BALANCE: 45 dB  
20kHz - 1.1 MHz

#### NOMINAL TURNS RATIO:

(8-6) : (1-4) 1 : 0.9

CONNECT TERMINALS 2 TO 3 & 5 TO 7

#### DC RESISTANCE:

(1-4) 1.5 Ω MAX

(8-6) 1.6 Ω MAX

CONNECT TERMINALS 2 TO 3 & 5 TO 7

#### INDUCTANCE @ 10 kHz, 0.1 Vrms:

(1-4) 1 mH ±6.7%

CONNECT TERMINALS 2 TO 3

#### LEAKAGE INDUCTANCE:

(1-4) 6 μH MIN - 10μH MAX

CONNECT TERMINALS 2 TO 3 & 5 TO 7

SHORT TERMINALS 5, 6, 7, & 8

#### DIRECT CAPACITANCE:

BETWEEN (1-4) & (8-6) 20 pF MAX

CONNECT TERMINALS 2 TO 3 & 5 TO 7

#### TOTAL HARMONIC DISTORTION

12 Vpp, 150kHz, 100Ω LINE AND 123.5Ω LOAD.

-85 dB MAX

#### MINIMUM DIELECTRIC RATING:

BETWEEN (1-4) & (8-6) 1875 VAC

CONNECT TERMINALS 2 TO 3 & 5 TO 7

DESIGNED TO COMPLY WITH UL1950 AND EN60950  
BASIC WITH 250 VAC WORKING VOLTAGE.

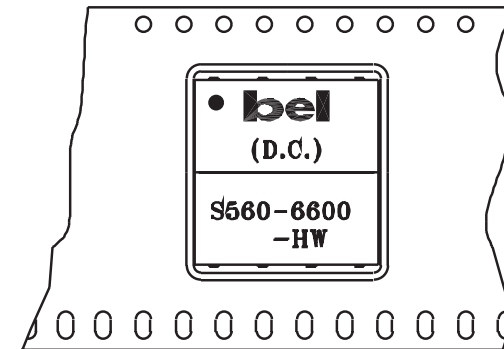
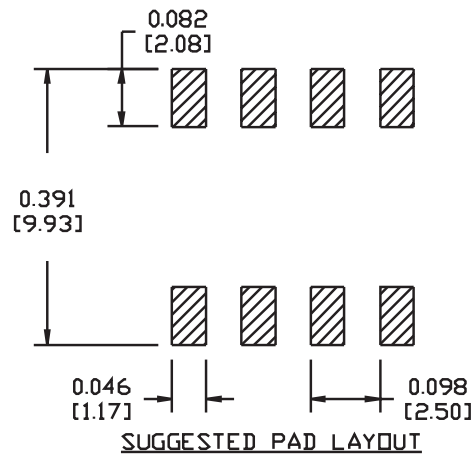
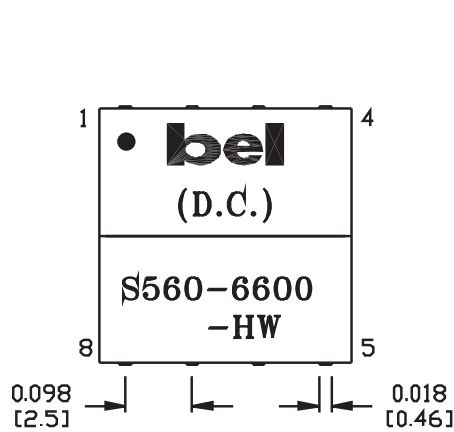
#### OPERATING TEMPERATURE RANGE:

-40°C TO +85°C



# ADSL MAGNETICS

S560-6600-HW



➔ USER FEED DIRECTION

ORIENTATION OF COMPONENT INSIDE POCKET

TAPE WIDTH	24MM
POCKET PITCH	20MM
QUANTITY OF COMPONENTS PER REEL	200
PLASTIC REEL OUTER DIAMETER	13 INCHES
PLASTIC REEL HUB DIAMETER	4 INCHES

