



Chipsmall Limited consists of a professional team with an average of over 10 year of expertise in the distribution of electronic components. Based in Hongkong, we have already established firm and mutual-benefit business relationships with customers from,Europe,America and south Asia,supplying obsolete and hard-to-find components to meet their specific needs.

With the principle of “Quality Parts,Customers Priority,Honest Operation,and Considerate Service”,our business mainly focus on the distribution of electronic components. Line cards we deal with include Microchip,ALPS,ROHM,Xilinx,Pulse,ON,Everlight and Freescale. Main products comprise IC,Modules,Potentiometer,IC Socket,Relay,Connector.Our parts cover such applications as commercial,industrial, and automotives areas.

We are looking forward to setting up business relationship with you and hope to provide you with the best service and solution. Let us make a better world for our industry!



Contact us

Tel: +86-755-8981 8866 Fax: +86-755-8427 6832

Email & Skype: info@chipsmall.com Web: www.chipsmall.com

Address: A1208, Overseas Decoration Building, #122 Zhenhua RD., Futian, Shenzhen, China

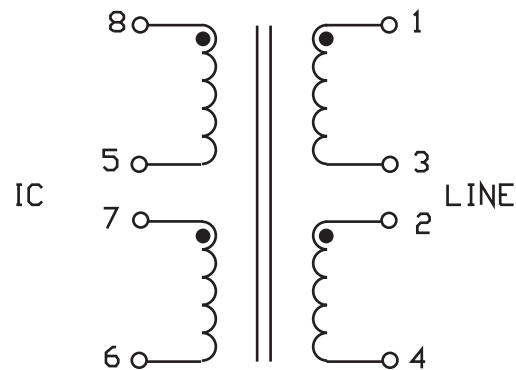


SHDSL MAGNETICS

S560-6600-JE

ELECTRICAL CHARACTERISTICS (@25°C)

SCHEMATIC



UNBALANCE DC CURRENT:	60mA
INSERTION LOSS:	0.6 dB MAX @ 100KHZ
LONGITUDINAL BALANCE:	52 dB MIN
20kHz TO 300kHz PER ITU METHOD (L->M)	
HARMONIC DISTORTION:	-76 dB MAX
4 Vrms @ 5kHz, SOURCE, LINE SIDE	
WITH $R_s = 135\Omega$ AND $R_{LOAD} = 603\Omega$ AT IC SIDE	

OPERATING TEMPERATURE RANGE: -40°C TO +85°C

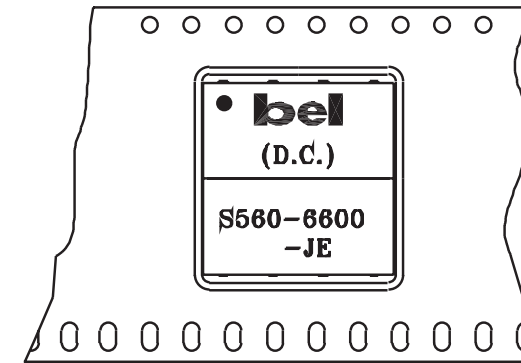
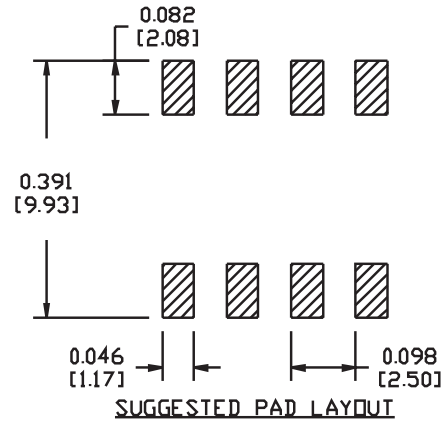
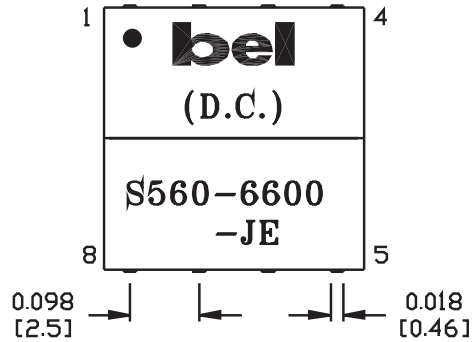
NOMINAL TURNS RATIO:	
(1-4) : (8-6)	0.472 : 1
CONNECT TERMINALS 2 TO 3 & 5 TO 7	
DC RESISTANCE:	
(1-4)	8.0 Ω MAX
(8-6)	36.0 Ω MAX
CONNECT TERMINALS 2 TO 3 & 5 TO 7	
INDUCTANCE @ 10 kHz, 0.1 Vrms:	
(1-4) @ 0AMP DC & 20 mA DC	3.2 mH $\pm 7\%$
CONNECT TERMINALS 2 TO 3	
MAXIMUM LEAKAGE INDUCTANCE:	
(1-4)	16.5 μ H
CONNECT TERMINALS 2 TO 3 & 5 TO 7	
SHORT TERMINALS 5, 6, 7 & 8	
MAXIMUM INTERWINDING CAPACITANCE:	
(1-4)	300 pF
CONNECT TERMINALS 2 TO 3 & 5 TO 7	
MINIMUM DIELECTRIC RATING:	
BETWEEN (1-4) & (8-6)	1500 Vrms
CONNECT TERMINALS 2 TO 3 & 5 TO 7	
BETWEEN (1-3) & (2-4) FOR 1 MINUTE	600 Vrms

DESIGNED TO COMPLY WITH UL-1950, EN60950 WITH BASIC INSULATION AND 250 VOLT WORKING VOLTAGE.
 UL-FILE # E150991 BABT CERTIFICATE # NC/011825



SHDSL MAGNETICS

S560-6600-JE



ORIENTATION OF COMPONENT INSIDE POCKET

TAPE WIDTH	24MM
POCKET PITCH	20MM
QUANTITY OF COMPONENTS PER REEL	200
PLASTIC REEL OUTER DIAMETER	13 INCHES
PLASTIC REEL HUB DIAMETER	4 INCHES

